

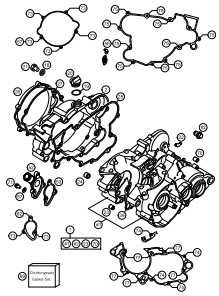
SPAREPARTSCATALOG

ENGINE

ART.-NR.: 3CM080405NEN

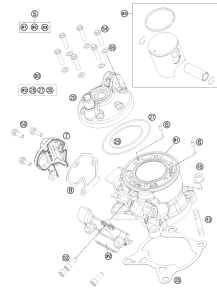
TC 85 2014

ENGINE CASE



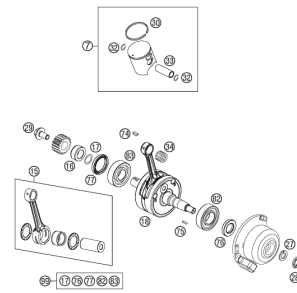
3

CYLINDER



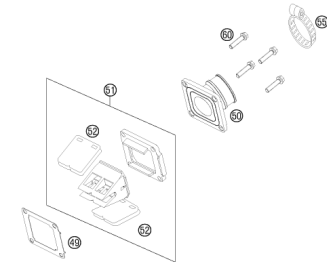
4

CRANKSHAFT, PISTON



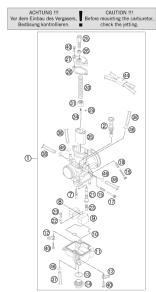
5

REED VALVE HOUSING



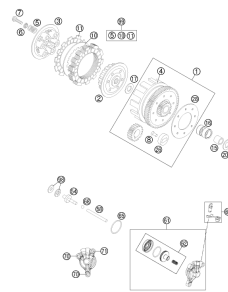
6

CARBURETOR



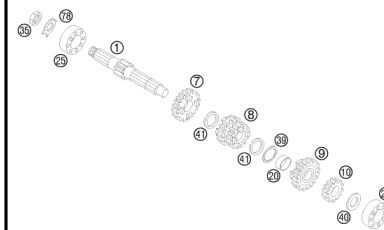
7

CLUTCH



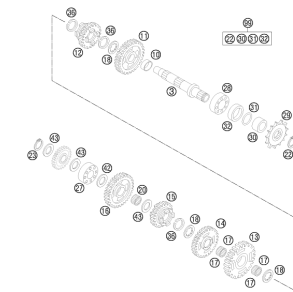
9

TRANSMISSION I - MAIN SHAFT



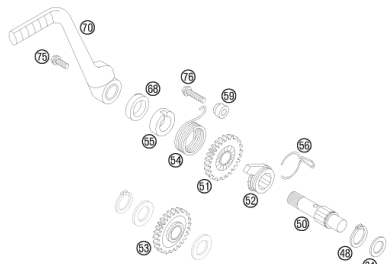
10

TRANSMISSION II - COUNTERSHAFT



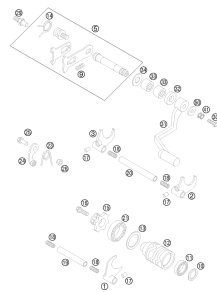
11

KICK STARTER



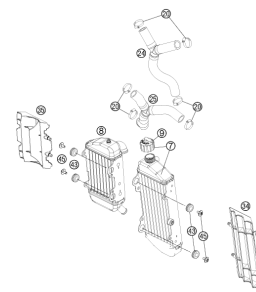
12

SHIFTING MECHANISM



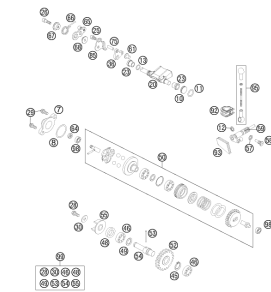
13

COOLING SYSTEM



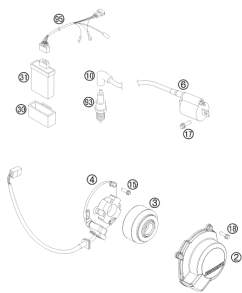
14

EXHAUST CONTROL



15

IGNITION SYSTEM

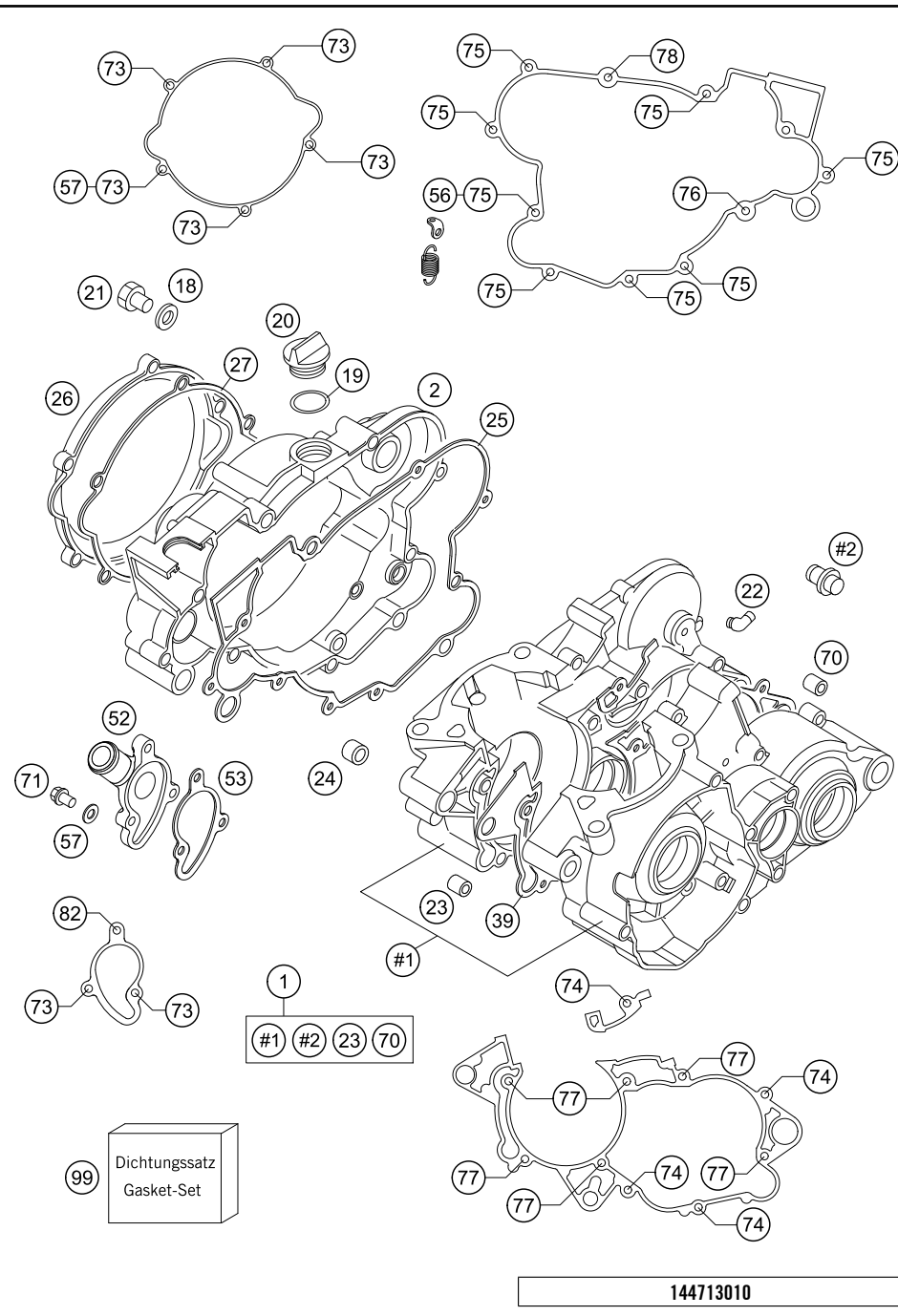


17



All information contained is without obligation. HUSQVARNA MOTORCYCLES GmbH particularly reserves the right to modify any equipment, technical specifications, prices, colors, shapes, materials, services, service work, constructions, equipment and the like so as to adapt them to local conditions or to cancel any of the above items, all without previous announcement and without giving reasons. KTM may stop manufacturing certain models without previous notice. HUSQVARNA MOTORCYCLES shall not be held liable for any deviations of availability and/or ability to deliver, illustrations, descriptions, printing and/or other errors. The illustrated models partly contain extra equipment, which is not applied to standard models.

© by HUSQVARNA MOTORCYCLES GmbH, Mattighofen AUSTRIA; All rights reserved; Reprint, also in extracts, with written allowance of HUSQVARNA MOTORCYCLES GmbH, Mattighofen only.

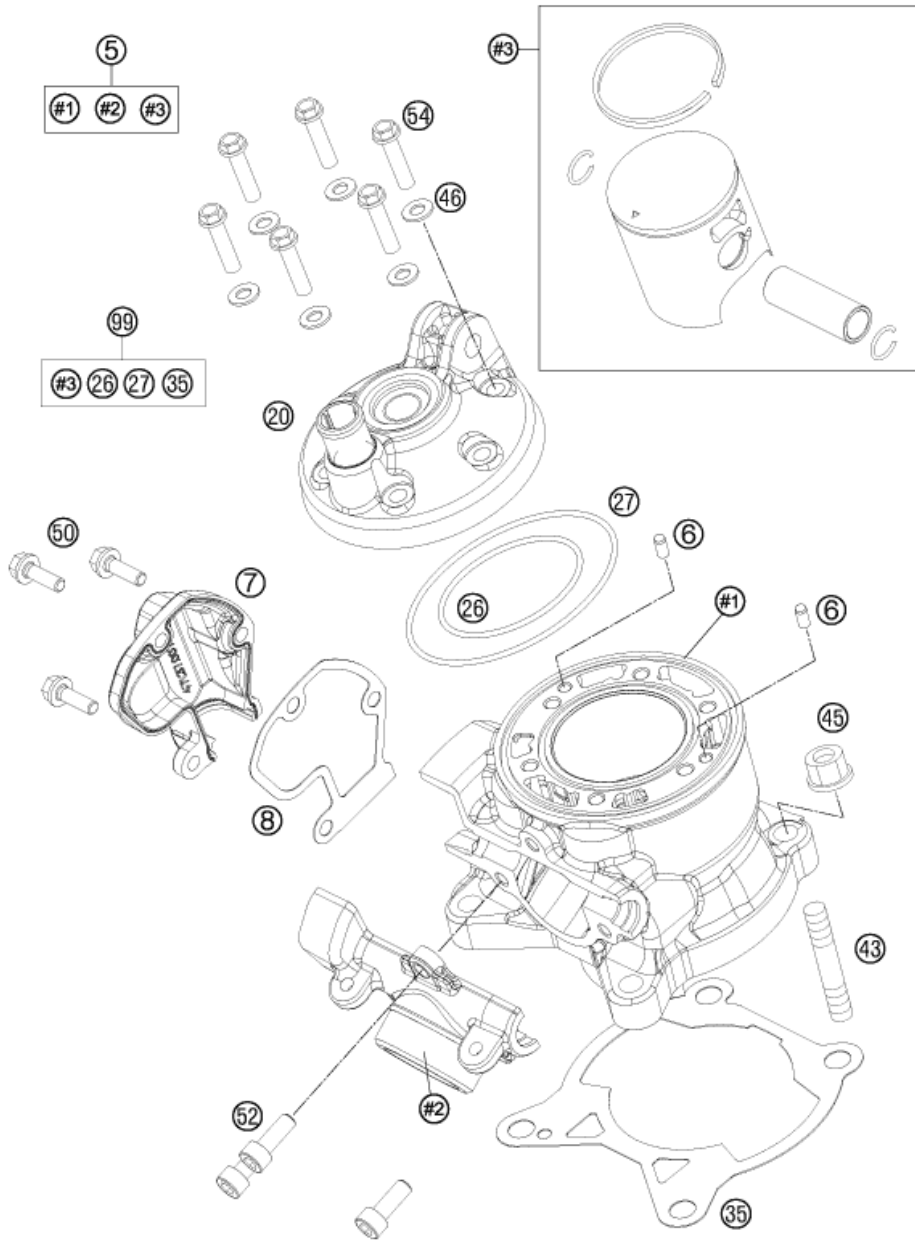


| POS | PARTNUMBER | PARTNAME | PIECE |
|-----|---------------|--------------------------------|-------|
| 1 | 47030000144 | ENGINE CASE CPL. 85 SX 2008 | 1 |
| 2 | 47030001100 | CLUTCH COVER CPL. 85 SX 06 | 1 |
| 18 | 0603101420 | COPPER GASKET 10,2X14X2 MM 01 | 1 |
| 19 | 0770160030 | O-RING 16,00X3,00 NBR 70 | 1 |
| 20 | 58030120000 | OIL FILLER CAP M24x3 WITH O-R | 1 |
| 21 | 46030021100 | OIL DRAIN PLUG M10 WS=13 | 1 |
| 22 | 45130022000 | ANGLE PIECE 50CCM LC 2001 | 1 |
| 23 | 47030023100 | DOWEL 13X13 | 1 |
| 24 | 45130023000 | DOWEL 7X9X10 | 1 |
| 25 | 47030025000 | INNER CLUTCH COVER GASKET | 1 |
| 26 | 47030626000KA | OUTER CLUTCH COVER | 1 |
| 27 | 47030027100 | GASKET FOR OUTER CLUTCH COVER | 1 |
| 39 | 47030039000 | GASKET F. ENGINE CASE 85 SX 03 | 1 |
| 52 | 47035052000 | WATER PUMP COVER 85 SX 2003 | 1 |
| 53 | 47035053000 | GASKET FOR WATER PUMP COVER 03 | 1 |
| 56 | 47003071000 | SPRINGHOLDER | 1 |
| 57 | 0603061001 | CU-SEAL RING DIN7603-6X10X1 | 2 |
| 70 | 47030023000 | DOWEL 14,5X19 | 1 |
| 71 | 0025060106 | HH COLLAR SCREW M6X10 TX30 | 1 |
| 73 | 0015060203 | HH COLLAR SCREW M 6X20 WS=8 | 7 |
| 74 | 0025060256 | HH COLLAR SCREW M6X25 TX30 | 4 |
| 75 | 0015060303 | HH COLLAR SCREW M 6X30 SW=8 | 8 |
| 76 | 0025060356 | HH COLLAR SCREW M6X35 TX30 | 1 |
| 77 | 0025060406 | HH COLLAR SCREW M6X40 TX30 | 6 |
| 78 | 0025060456 | HH COLLAR SCREW M6X45 TX30 | 1 |
| 82 | 0015060653 | HH COLLAR SCREW M 6X65 WS=8 | 1 |
| 99 | 47030099100 | GASKET SET CPL. 85/105SX 04 | 1 |

144713010

C144713011

* NEW PART X ON DEMAND

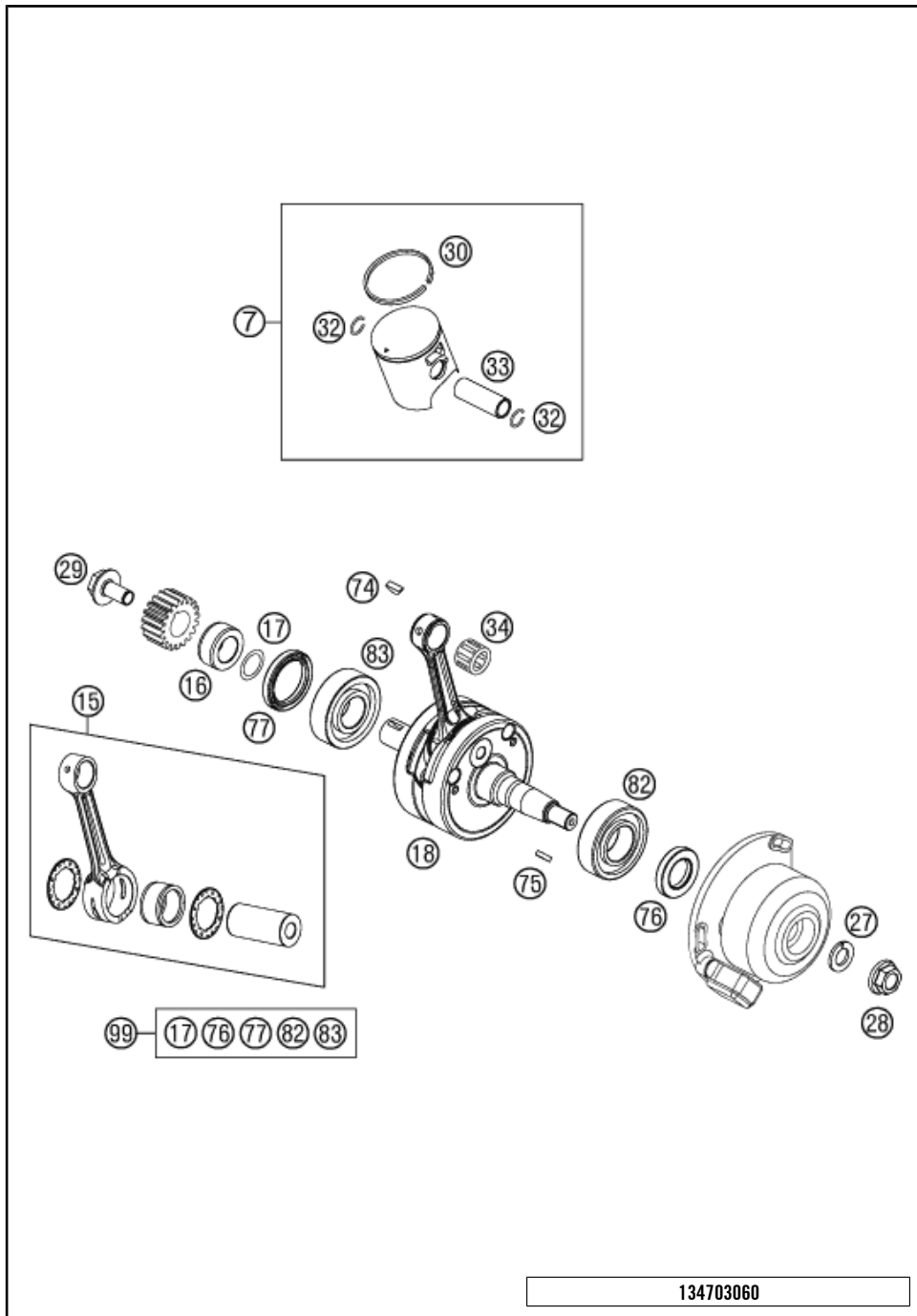


| POS | PARTNUMBER | PARTNAME | PIECE |
|-----|-------------|------------------------------|-------|
| 5 | 47130038000 | CYLINDER + PISTON 85 SX | 1 |
| 6 | 0402040980 | NEEDLE ROL.DIN5402 NRB 4X9,8 | 2 |
| 7 | 47137007000 | CONTROL COVER | 1 |
| 8 | 47137008000 | GASKET CONTROL COVER | 1 |
| 20 | 47130006000 | CYLINDER HEAD 85 SX | 1 |
| 26 | 0770540020 | O-RING 54X2 VITON | 1 |
| 27 | 0770800021 | O-RING 80,00X2,00 VITON | 1 |
| 35 | 47030035020 | CYLINDER BASE GASKET 0,20MM | x |
| 35 | 47030035030 | CYLINDER BASE GASKET 0,30MM | x |
| 35 | 47030035000 | CYLINDER BASE GASKET 0,50MM | x |
| 43 | 0835080240 | STUD DIN 0835-M 8X24 | 4 |
| 45 | 46030045000 | COLLAR NUT M8 WS=10 | 4 |
| 46 | 0603061001 | CU-SEAL RING DIN7603-6X10X1 | 6 |
| 50 | 0015050123 | HH COLLAR SCREW M 5X12 WS=8 | 3 |
| 52 | 0012060164 | AH SCREW DIN6912 M6X16 SL | 3 |
| 54 | 0025060256 | HH COLLAR SCREW M6X25 TX30 | 6 |
| 99 | 00050000204 | PISTON KIT GR.I 85 SX 06-14 | x |
| 99 | 00050000205 | PISTON KIT GR.II 85 SX 03-13 | x |

134703040

C144713040

* NEW PART X ON DEMAND

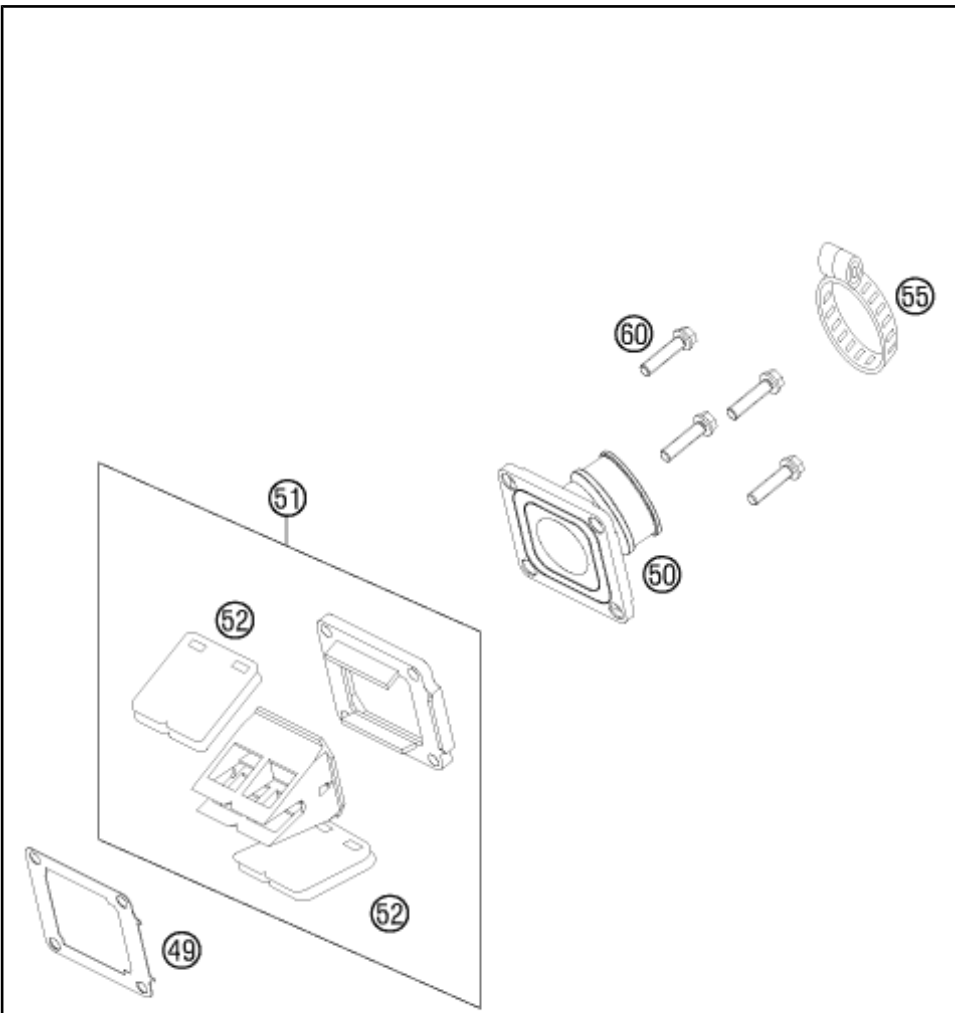


| POS | PARTNUMBER | PARTNAME | PIECE |
|-----|----------------|--------------------------------|-------|
| 7 | 47030007100 I | PISTON CPL. 47MM SIZE 1 2005 | 1 |
| 7 | 47030007100 II | PISTON CPL. 47MM SIZE 2 2005 | 1 |
| 15 | 47030015200 | CONNECT. ROD REPAIR SET 85 SX | 1 |
| 16 | 47030016000 | SPACER SLEEVE 85 SX 2003 | 1 |
| 17 | 0770020180 | O-RING 18,77X1,78 NBR 70 | 1 |
| 18 | 47030018200 | CRANKSHAFT 85 SX | 1 |
| 27 | 50230029012 | LOCKING RING VSK 12 | 1 |
| 28 | 49030021000 | COLLAR NUT M12X1 R/S | 1 |
| 29 | 47032019000 | HH SCREW W. COLLAR M10X1,25X20 | 1 |
| 30 | 47030030000 | PISTON RING 85 SX 2003 | 1 |
| 32 | 47030074000 | WIRE LOCK RING 85 SX 2003 | 2 |
| 33 | 47030033000 | PISTON PIN 85 SX 2003 | 1 |
| 34 | 47030034000 | NEEDLE BEARING KBK 14X18X17 03 | 1 |
| 74 | 0888040050 | WOODRUFF KEY DIN6888 4X5X13 | 1 |
| 75 | 0888030050 | WOODRUFF KEY DIN6888-3X5X13 | 1 |
| 76 | 47030076100 | SEAL SHAFT RING 20X35X6 BTSL | 1 |
| 77 | 0760304261 | OIL SEAL | 1 |
| 82 | 49030023000 | CYL.ROLL BEARING NJ205 | 1 |
| 83 | 47030083000 | BALL BEARING 22X52X15 | 1 |
| 99 | 00050002307 | CRANKSHAFT REP. KIT 85/105 SX | x |

134703060

C144713060

* NEW PART X ON DEMAND



| POS | PARTNUMBER | PARTNAME | PIECE |
|-----|-------------|--------------------------------|-------|
| 49 | 47030049000 | GASKET FOR INTAKE FLANGE 85 SX | 1 |
| 50 | 47030050100 | INTAKE FLANGE 85 SX 2009 | 1 |
| 51 | 47030051144 | REED VALVE ASSY CPL.85 SX 2009 | 1 |
| 52 | 47030052144 | REED VALVE CPL. 85 SX 2009 | 1 |
| 55 | 51230061000 | CLAMP 40/12 GEMI | 1 |
| 60 | 0025060256 | HH COLLAR SCREW M6X25 TX30 | 4 |

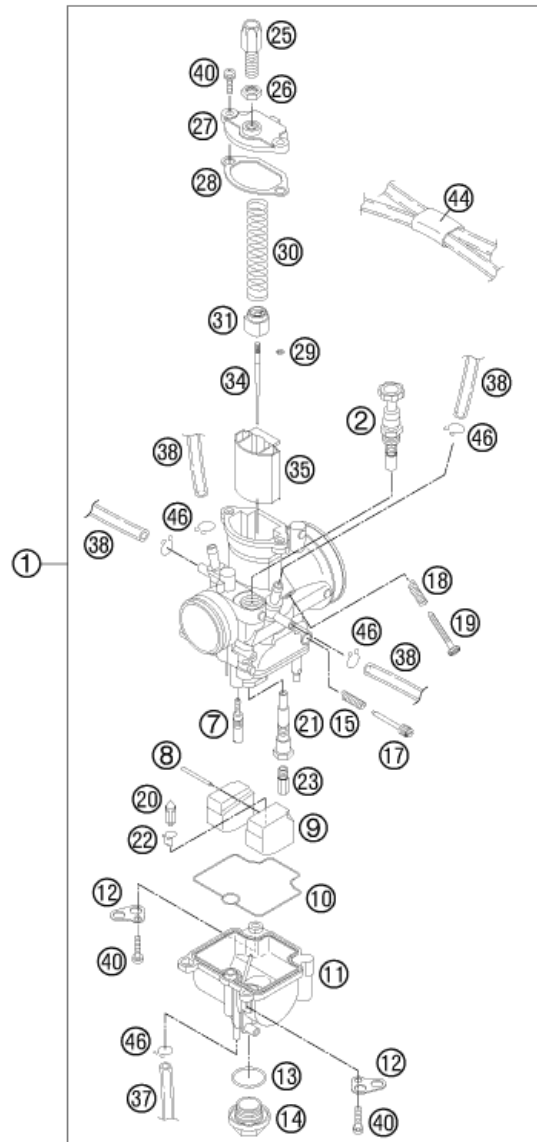
124703070

C134703070

* NEW PART

X ON DEMAND

ACHTUNG !!! Vor dem Einbau des Vergasers, Bedüsung kontrollieren.
CAUTION !!! Before mounting the carburetor, check the jetting.



124703110

| POS | PARTNUMBER | PARTNAME | PIECE |
|-----|-------------|-------------------------------|-------|
| 1 | 47031001000 | CARBURETOR KEIHIN PWK 28 2003 | 1 |
| 2 | 54631245000 | STARTER PISTON CPL. | 1 |
| 7 | 54531607038 | IDLE JET 38 KEIHIN | x |
| 7 | 54531607040 | IDLE JET 40 KEIHIN | x |
| 7 | 54531607042 | IDLE JET 42 KEIHIN | x |
| 7 | 54531607045 | IDLE JET 45 KEIHIN | 1 |
| 7 | 54531607048 | IDLE JET 48 KEIHIN | x |
| 7 | 54531607050 | IDLE JET 50 KEIHIN | x |
| 8 | 57331008000 | ARM PIN FLOAT | 1 |
| 9 | 47031009000 | FLOAT CPL. PWK28 03 | 1 |
| 10 | 47031010000 | FLOAT CHAMBER GASKET | 1 |
| 11 | 47031011000 | FLOAT CHAMBER PWK28 03 | 1 |
| 12 | 54531612100 | RETAINING PLATE FOR BLEEDER | 2 |
| 13 | 0770180230 | O-RING 18,00X2,30 NBR 70 | 1 |
| 14 | 54531699000 | PLUG M 18X1 | 1 |
| 15 | 54531615000 | SPRING FOR ADJUSTMENT SCREW | 1 |
| 17 | 54531617000 | ADJUSTMENT SCREW | 1 |
| 18 | 54631118000 | SPRING | 1 |
| 19 | 54631219100 | ADJUSTMENT SCREW M 5 | 1 |
| 20 | 47031020000 | FLOAT NEEDLE CPL. | 1 |
| 21 | 47031021000 | NEEDLE JET | 1 |
| 22 | 54531621000 | CLAMP | 1 |
| 23 | 54531623115 | MAIN JET 115 KEIHIN | x |
| 23 | 54531623118 | MAIN JET 118 KEIHIN | x |
| 23 | 54531623120 | MAIN JET 120 KEIHIN | x |
| 23 | 54531623122 | MAIN JET 122 KEIHIN | x |
| 23 | 54531623125 | MAIN JET 125 KEIHIN | x |
| 23 | 54531623128 | MAIN JET 128 KEIHIN | x |
| 23 | 54531623130 | MAIN JET 130 KEIHIN | x |
| 23 | 54531623132 | MAIN JET 132 KEIHIN | x |
| 23 | 54531623135 | MAIN JET 135 KEIHIN | x |
| 25 | 54531625000 | ADJUSTMENT SCREW M 6X0,75 | 1 |
| 26 | 52031126000 | HEXAGON NUT M 6X0,75 DIN0439 | 1 |
| 27 | 47031027000 | CARBURETOR COVER PWK28 03 | 1 |
| 28 | 47031028000 | CARBURETOR COVER GASKET PWK28 | 1 |
| 29 | 54531629000 | CLIP FOR JET NEEDLE | 1 |
| 30 | 47031030000 | THROTTLE VALVE SPRING | 1 |
| 31 | 47031031000 | SPRING CAP | 1 |

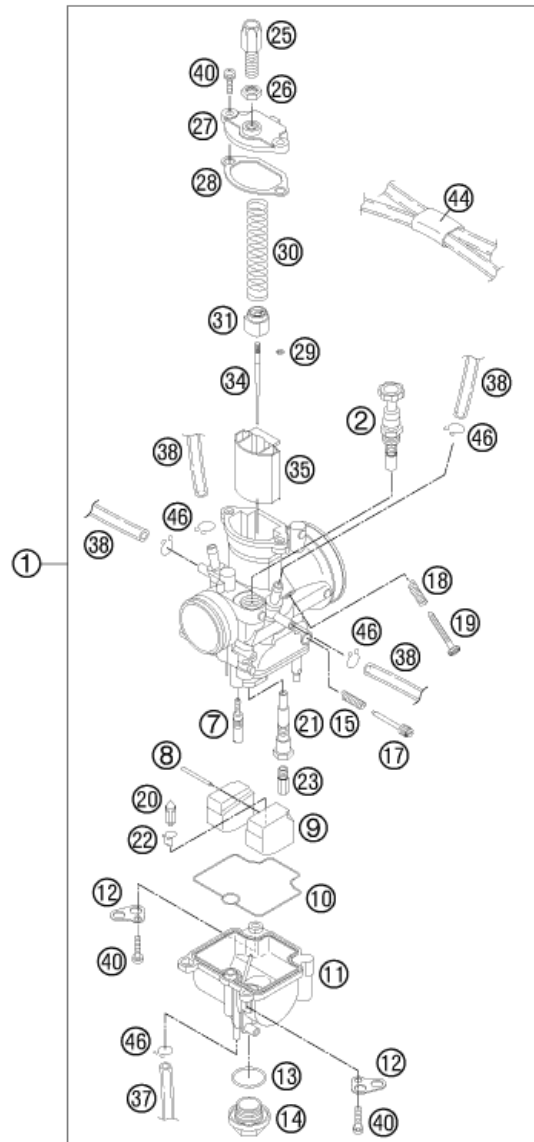
C124703110

* NEW PART

X ON DEMAND

ACHTUNG !!!
Vor dem Einbau des Vergasers,
Bedüsung kontrollieren.

CAUTION !!!
Before mounting the carburetor,
check the jetting.



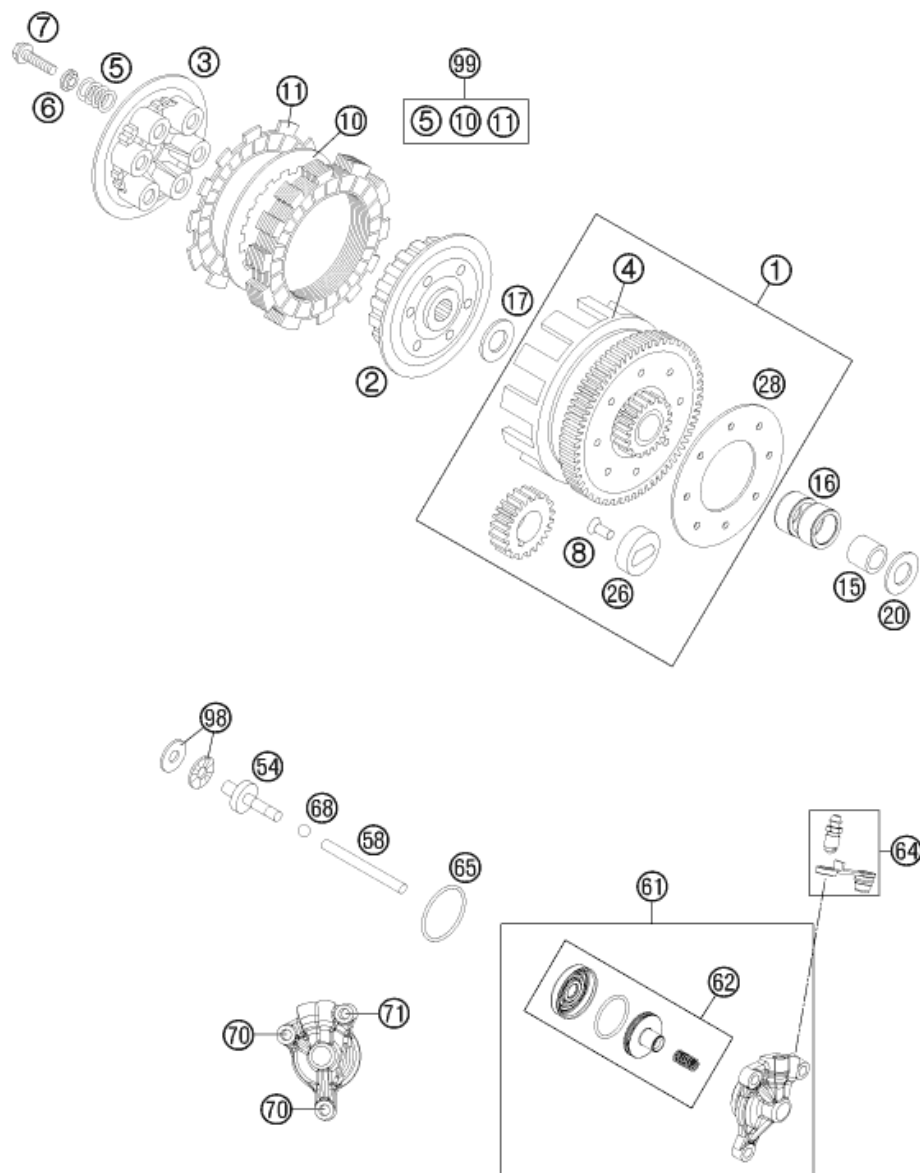
124703110

| POS | PARTNUMBER | PARTNAME | PIECE |
|-----|-------------|-----------------------------|-------|
| 34 | 47031034000 | JET NEEDLE N5HG KEIHIN | 1 |
| 34 | 47031034100 | JET NEEDLE N5HF KEIHIN | x |
| 34 | 47031034200 | JET NEEDLE N5HH KEIHIN | x |
| 35 | 47031035000 | THROTTLE VALVE 3,5 | 1 |
| 37 | 52031137001 | PVC-HOSE 3X5MM | 0 |
| 38 | 31007007101 | PVC-HOSE 4X6MM | 2 |
| 40 | 0016040163 | HH COLLAR SCREW M 4X16 WS=6 | 4 |
| 44 | 47031084000 | PLASTIC-CLIP | 1 |
| 46 | 54531696000 | CLAMP 6 MM | 5 |

C124703110

* NEW PART

X ON DEMAND

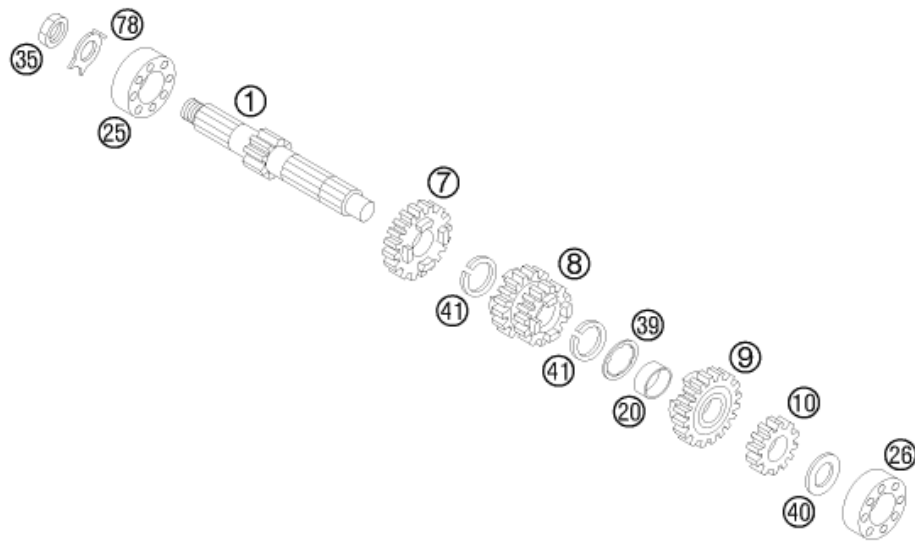


| POS | PARTNUMBER | PARTNAME | PIECE |
|-----|-------------|--------------------------------|-------|
| 1 | 47032001244 | OUTER CLUTCH HUB CPL. 85 SX 13 | 1 |
| 2 | 47032002000 | INNER CLUTCH HUB 85 SX 2003 | 1 |
| 3 | 47032003000 | PRESSURE CAP 85 SX 2003 | 1 |
| 4 | 47032001100 | OUT. CLUTCH HUB LOOSE 85 SX 07 | 1 |
| 5 | 47032005000 | CLUTCH SPRING 85 SX 2003 | 5 |
| 6 | 47032006000 | SPRING RETAIN. 5,1X10,2X15X2,5 | 5 |
| 7 | 0015050203 | HH COLLAR SCREW M 5X20 WS=8 | 5 |
| 8 | 47032008000 | RIVET DIN0661 5X14 | 6 |
| 10 | 47032010000 | STEEL DISC 85 SX 03 | 6 |
| 11 | 47032011000 | LINING DISC 85 SX 2003 | 7 |
| 15 | 47032015000 | BUSHING 20X25X20,5 | 1 |
| 16 | 0405252910 | NEEDLE BEAR K 25X29X10 | 2 |
| 17 | 47032017000 | SUPPORT WASHER 18,5X35X1,5 03 | 1 |
| 20 | 47032020000 | STOP DISC 20X32X2 | 1 |
| 26 | 47032026000 | DAMPING ELEMENT 85 SX 2003 | 6 |
| 28 | 47032028000 | RETAINING PLATE 85 SX 2003 | 1 |
| 54 | 47032054000 | PRESSURE PLATE 85 SX 2003 | 1 |
| 58 | 47032058000 | PUSH ROD 85 SX 2003 | 1 |
| 61 | 47132061044 | OUTPUT CYLINDER CPL. | 1 |
| 62 | 47132066000 | PISTON CPL. | 1 |
| 64 | 47132064000 | BLEEDER SCREW WITH CAP | 1 |
| 65 | 0770031018 | O-RING 31,47X1,78 | 1 |
| 68 | 47032068000 | BALL D=6MM 85 SX 2003 | 1 |
| 70 | 0015060163 | HH COLLAR SCREW M 6X16 WS=8 | 2 |
| 71 | 0015060303 | HH COLLAR SCREW M 6X30 SW=8 | 1 |
| 98 | 47032098000 | AXIAL NEEDLE BEARING 85 SX 03 | 1 |
| 99 | 47032010010 | CLUTCH KIT 105/85 SX 03-14 | 1 |

134703210

C144713210

* NEW PART X ON DEMAND



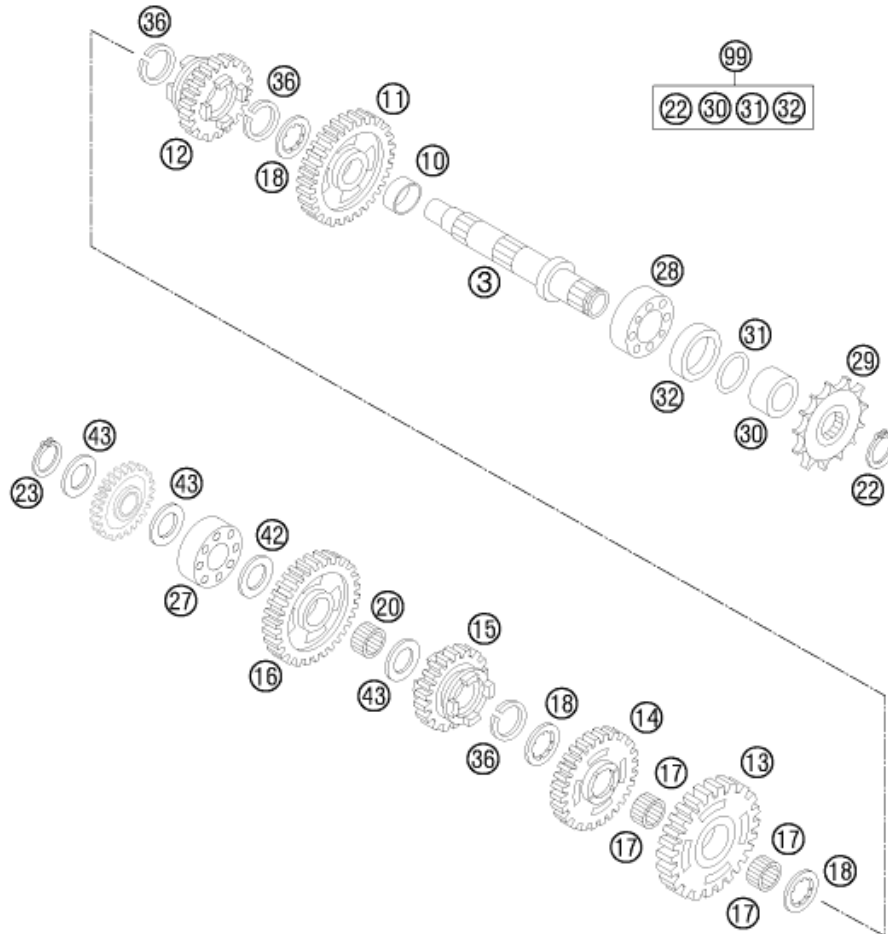
| POS | PARTNUMBER | PARTNAME | PIECE |
|-----|-------------|-------------------------------|-------|
| 1 | 47033001000 | MAIN SHAFT 11-T 85 SX 2003 | 1 |
| 7 | 47033007000 | IDLER GEAR 5TH G. 21-T 03 | 1 |
| 8 | 47033008000 | SLID. GEAR 3RD/4TH G. 16/19-T | 1 |
| 9 | 47033009100 | IDLER GEAR 6TH G. 20-T 05 | 1 |
| 10 | 47033010000 | SOLID GEAR 2ND G. 14-T 03 | 1 |
| 20 | 47033020000 | IDLER GEAR BUSHING 05 | 1 |
| 25 | 46033028000 | GROOVED BALL BEARING 20X42X12 | 1 |
| 26 | 47033026000 | BALL BEARING 16X35X8 | 1 |
| 35 | 46030029000 | HH NUT 14X1,25X7 WS=22 | 1 |
| 39 | 47033039000 | STOP DISK 05 | 1 |
| 40 | 47033041000 | STOP DISC 16X26X1 | 1 |
| 41 | 47033096000 | AXIAL CIRCLIP 19 SW | 2 |
| 78 | 46030078000 | LOCKING PLATE D=14MM | 1 |

124703330

C124703330

* NEW PART

X ON DEMAND



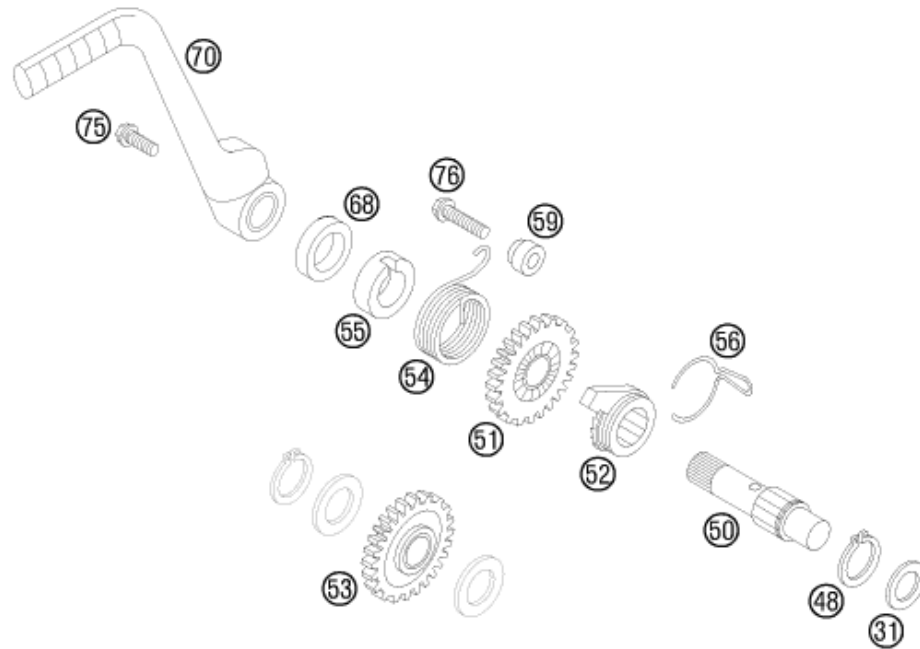
| POS | PARTNUMBER | PARTNAME | PIECE |
|-----|-------------|--------------------------------|-------|
| 3 | 47033003100 | COUNTERSHAFT | 1 |
| 10 | 47033021000 | IDLER GEAR BUSHING 07 | 1 |
| 11 | 47033011200 | IDLER GEAR 2ND G. 28-T 09 | 1 |
| 12 | 47033012100 | SLIDING GEAR 6TH G. 21-T | 1 |
| 13 | 47033013200 | IDLER GEAR 3RD G. | 1 |
| 14 | 47033014200 | IDLER GEAR 4TH G. | 1 |
| 15 | 47033015100 | SLIDING GEAR 5TH G. 25-T | 1 |
| 16 | 47033016000 | IDLER GEAR 1ST G. 29-T 03 | 1 |
| 17 | 50133099000 | NEEDLE CAGE K18X22X10 PARTED | 2 |
| 18 | 47033095000 | SHIM | 3 |
| 20 | 47033099000 | NEEDLE BEARING K15X19X10S | 1 |
| 22 | 49033091000 | CIRCLIP AS20X1,75 | 1 |
| 23 | 0471150010 | CIRCLIP DIN0471-15X1 | 1 |
| 27 | 0625160020 | BALL BEARING 16002 C3 | 1 |
| 28 | 0625062041 | BALL BEARING 6204 JR2 C4 | 1 |
| 29 | 47033029013 | ENGINE SPROCKET 13-T 85 SX 03 | x |
| 29 | 47033029014 | ENGINE SPROCKET 14-T 85 SX 03 | 1 |
| 30 | 47033030000 | SPACER FOR SPROCKET | 1 |
| 31 | 46033031000 | % O-RING 18,77X1,78 | 1 |
| 32 | 0760263560 | SHAFT SEAL RING 26X35X6 | 1 |
| 36 | 0417210120 | CIRCLIP SW21 | 3 |
| 42 | 47033040000 | STOP DISC 15X25X1 | 1 |
| 43 | 47033043000 | STOP DISC 15X25X0,5 | 3 |
| 99 | 00050000942 | COUNTER SHAFT REP.KIT 105/85SX | 1 |

124703360

C134703360

* NEW PART

X ON DEMAND



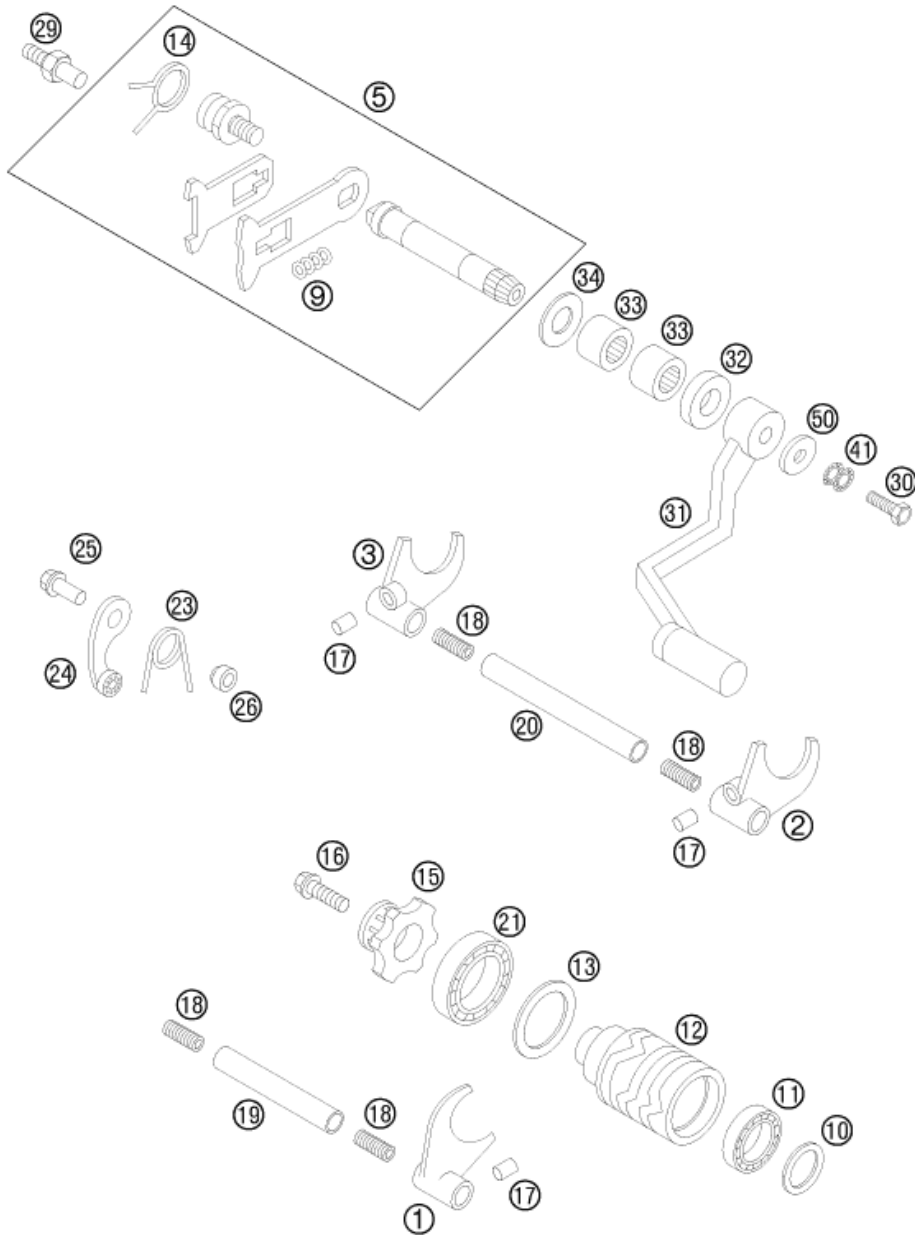
| POS | PARTNUMBER | PARTNAME | PIECE |
|-----|-------------|--------------------------------|-------|
| 31 | 47033040000 | STOP DISC 15X25X1 | 1 |
| 48 | 0471190120 | CIRCLIP DIN0471-19X1,2 | 1 |
| 50 | 47033050100 | KICKSTARTER SHAFT 85 SX LONG | 1 |
| 51 | 47033051000 | KICKSTART GEAR 85 SX 2003 | 1 |
| 52 | 47033052000 | RATCHET GEAR 85 SX 2003 | 1 |
| 53 | 47033053000 | KICKST. INTERMEDIATE GEAR 2003 | 1 |
| 54 | 47033054000 | KICKSTART SPRING 85 SX 2003 | 1 |
| 55 | 46033055000 | DRIVING HUB | 1 |
| 56 | 47033056000 | RATCHET GEAR SPRING 85 SX 2003 | 1 |
| 59 | 47033059000 | SPRING SPACER 85 SX 2003 | 1 |
| 68 | 0760142460 | SHAFT SEAL RING 14X24X6 B | 1 |
| 70 | 47033070000 | KICKSTARTER CPL. 85 SX 2003 | 1 |
| 75 | 0015060163 | HH COLLAR SCREW M 6X16 WS=8 | 1 |
| 76 | 0015050253 | HH COLLAR SCREW M 5X25 WS=8 | 1 |

124703390

C124703390

* NEW PART

X ON DEMAND



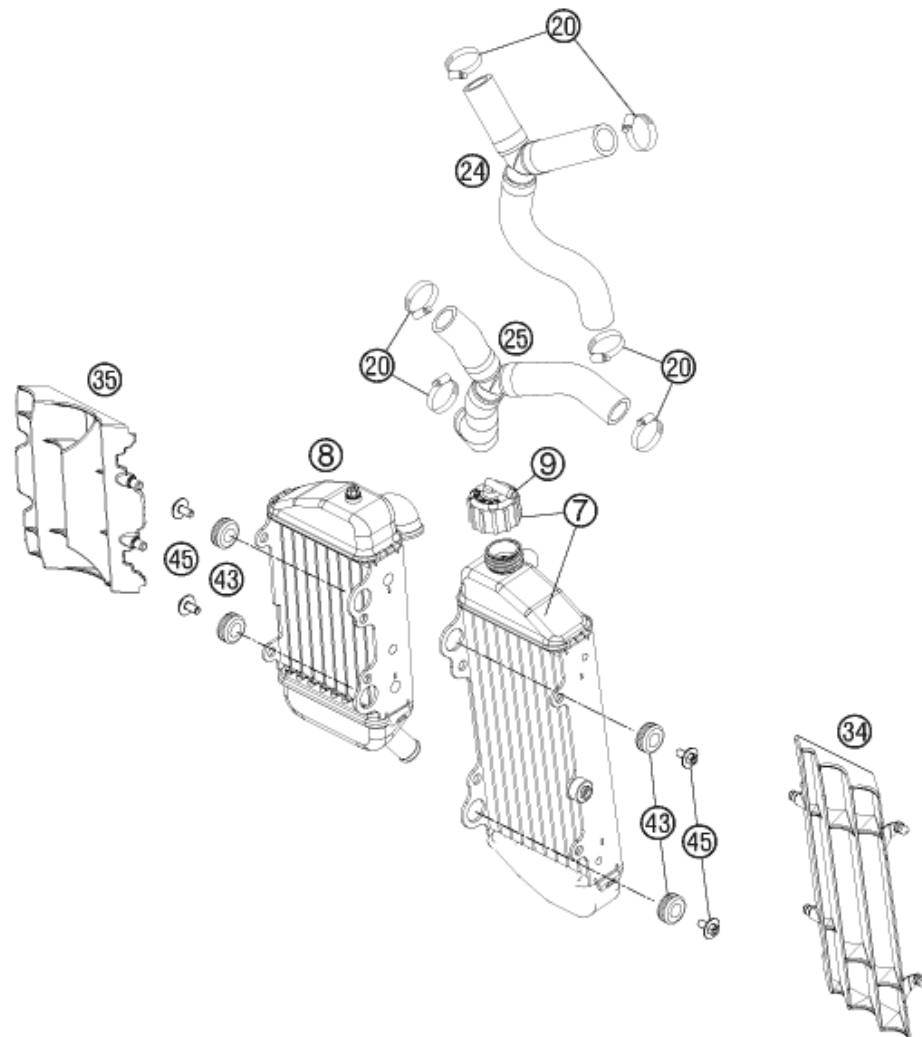
| POS | PARTNUMBER | PARTNAME | PIECE |
|-----|-------------|--------------------------------|-------|
| 1 | 47034001000 | SHIFT FORK 5TH/6TH GEAR 2003 | 1 |
| 2 | 47034002000 | SHIFT FORK 2ND/3RD GEAR 2003 | 1 |
| 3 | 47034003000 | SHIFT FORK 1ST/4TH GEAR 2003 | 1 |
| 5 | 47034005044 | SHIFTING SHAFT CPL. 85 SX 2003 | 1 |
| 9 | 46034009000 | PRESSURE SPRING SLIDER PLATE | 1 |
| 10 | 47034091000 | WASHER 15X20X0,5 | 1 |
| 11 | 0625069020 | BALL BEARING 6902 15X28X7 | 1 |
| 12 | 47034012000 | SHIFT ROLLER 85 SX 2003 | 1 |
| 13 | 47034092000 | WASHER 25X32X0,5 | 1 |
| 14 | 46034014000 | RETURN SPRING | 1 |
| 15 | 47034015000 | SHIFT LOCATION DRUM 85 SX 2003 | 1 |
| 16 | 0025060256 | HH COLLAR SCREW M6X25 TX30 | 1 |
| 17 | 0402061200 | NEEDLE ROLLER DIN5402 NRB 6X12 | 3 |
| 18 | 46034019052 | SPRING SHIFT RAIL 2001 | 4 |
| 19 | 47034019000 | SHIFTING RAIL 85 SX 2003 | 1 |
| 20 | 46034020100 | SHIFT RAIL 2001 | 1 |
| 21 | 0625618050 | BALL BEARING 61805 C3 | 1 |
| 23 | 46034023100 | LOCKING LEVER SPRING 2001 | 1 |
| 24 | 46034024100 | LOCKING LEVER CPL. 65 SX 2002 | 1 |
| 25 | 0025080206 | HH COLLAR SCREW M8X20 TX40 | 1 |
| 26 | 47034052000 | SLEEVE LOCKING LEVER | x |
| 29 | 47034029000 | ARRESTER FOR SPRING 2003 | 1 |
| 30 | 0933060205 | HH SCREW DIN933 M6x20 10.9 | 1 |
| 31 | 47034031000 | SHIFT LEVER 85 SX 2003 | 1 |
| 32 | 0760142460 | SHAFT SEAL RING 14X24X6 B | 1 |
| 33 | 54632095000 | NEEDLE BEAR.HK 1412 14X20X12 | 2 |
| 34 | 47033043000 | STOP DISC 15X25X0,5 | 1 |
| 41 | 50233041000 | PAIR OF WASHERS M 6 NORDLOCK | 1 |
| 50 | 50232050001 | STEEL WASHER 6,4X17X3 | 1 |

124703410

C134703410

* NEW PART

X ON DEMAND



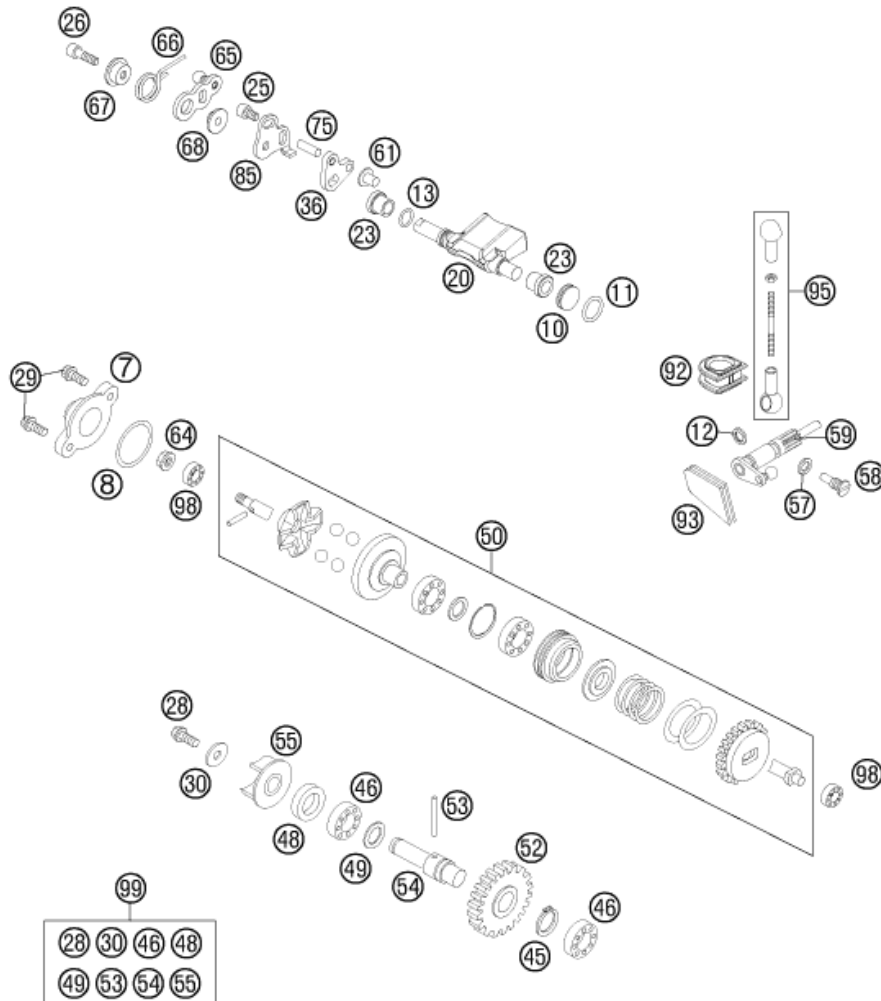
| POS | PARTNUMBER | PARTNAME | PIECE |
|-----|---------------|-------------------------------|-------|
| 7 | 47135007000 | RADIATOR L/S | 1 |
| 8 | 47135008000 | RADIATOR R/S | 1 |
| 9 | 72035016000 | RADIATOR CAP 1,8 BAR | 1 |
| 20 | 10001020000 | HOSE CLAMP GEMI 16-27 | 6 |
| 24 | 47135025033 | RADIATOR HOSE CPL. TOP | 1 |
| 25 | 47135028033 | RADIATOR HOSE BELOW | 1 |
| 34 | 4713503400030 | RADIATOR PROTECTOR L/S | 1 |
| 35 | 46235034000 | RADIATOR PROTECTOR 65 SX 2009 | 1 |
| 43 | 41001052000 | RUBBER SLEEVE D=12MM | 4 |
| 45 | 0024060123 | COLLAR SCREW M6X12 TX | 4 |

134703530

C144713530

* NEW PART

X ON DEMAND



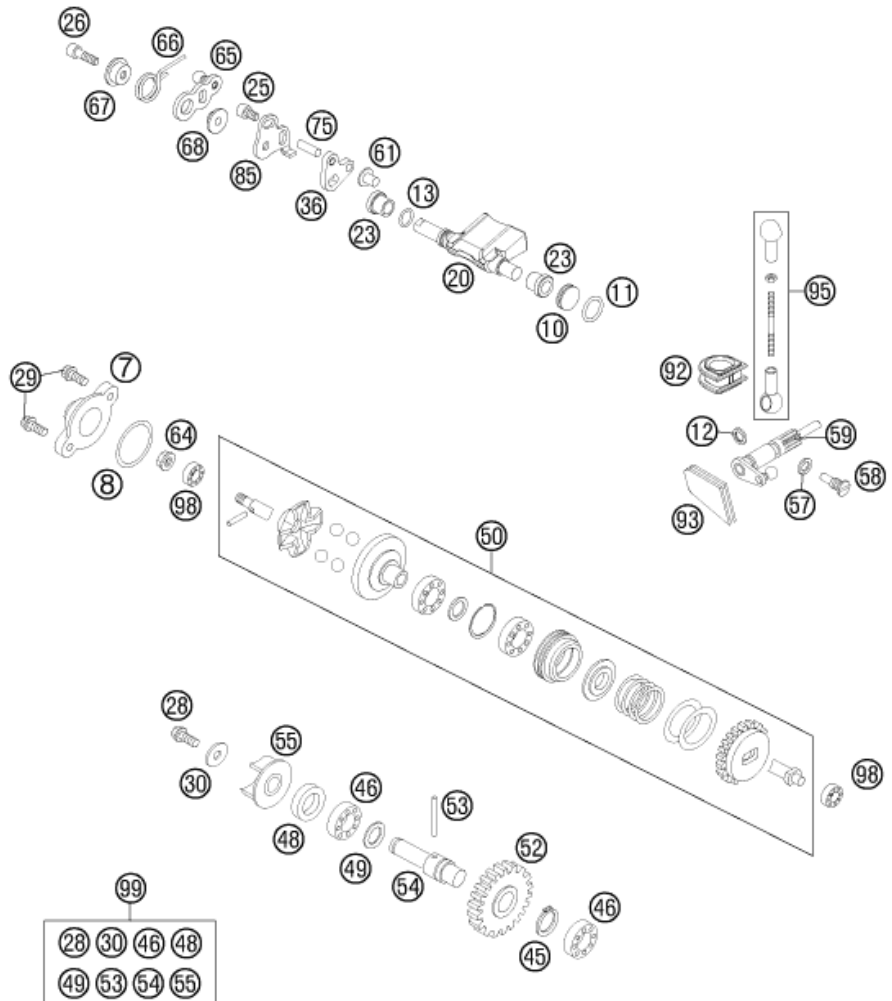
| POS | PARTNUMBER | PARTNAME | PIECE |
|-----|-------------|-------------------------------|-------|
| 7 | 54637070200 | CLOSING COVER 2003 | 1 |
| 8 | 0770020200 | O-RING 21,95X1,78 NBR | 1 |
| 10 | 47037010000 | CLOSING COVER 85 SX 2003 | 1 |
| 11 | 0770120020 | O-RING 12,00X2,00 NBR 70 | 1 |
| 12 | 54632090000 | SEAL RING DH/GR 12X16X3 | 1 |
| 13 | 0770008015 | O-RING 8,00X1,5 | 1 |
| 20 | 47137020000 | CONTROL FLAP | 1 |
| 23 | 47037023000 | BEARING SLEEVE 85 SX 2003 | 2 |
| 25 | 0912050063 | AH SCREW DIN 912 M 5X6 | 1 |
| 26 | 0912050163 | AH SCREW DIN0912-M 5X16 | 1 |
| 28 | 0015050123 | HH COLLAR SCREW M 5X12 WS=8 | 1 |
| 29 | 0015050203 | HH COLLAR SCREW M 5X20 WS=8 | 2 |
| 30 | 0349000050 | WASHER DIN7349-5X15X2 | 1 |
| 36 | 47037036000 | DRIVER SHEET 85 SX 2003 | 1 |
| 45 | 0471100010 | CIRCLIP DIN0471-10X1 | 1 |
| 46 | 0625006087 | GROOVED BALL BEAR. 608 2RS C3 | 2 |
| 48 | 0760082472 | SHAFT SEAL RING 8X24X7 A DUO | 1 |
| 49 | 54334015000 | WASHER 10X14X0,5 STEEL | 1 |
| 50 | 47037050044 | CENTRIFUGAL TIMER CPL. 03 | 1 |
| 52 | 47035054026 | WATER PUMP GEAR 2003 | 1 |
| 53 | 47035058000 | PIN 2X22 | 1 |
| 54 | 47035054000 | WATER PUMP SHAFT 85 SX 2003 | 1 |
| 55 | 47035055000 | WATER PUMP WHEEL 85 SX 2003 | 1 |
| 57 | 0603040801 | COPPER GASKET DIN7603- A4X8X1 | 1 |
| 58 | 47037058000 | LOCK SCREW CONTROL SHAFT 03 | 1 |
| 59 | 47037057100 | CONTROL SHAFT 85 SX 06 | 1 |
| 61 | 47035061000 | SCREW M6X8 | 1 |
| 64 | 56509064100 | SELF LOCKING NUT M6 10.9 | 1 |
| 65 | 47037065000 | CONTROL LEVER 85 SX 2003 | 1 |
| 66 | 54637066000 | OVERLOAD SPRING | 1 |
| 67 | 47037067000 | SPRING SLEEVE 85 SX 2003 | 1 |
| 68 | 47037068000 | BEARING SLEEVE 85 SX 2003 | 1 |
| 75 | 0007050180 | CYLINDER PIN DIN 7-5X18(M6) | 1 |
| 85 | 47137086000 | STOP PLATE | 1 |
| 92 | 47137091000 | GASKET RUBBER | 1 |
| 93 | 47037093000 | GASKET RUBBER BOTTOM 85 SX | 1 |
| 95 | 47037095044 | CONNECT. ROD CPL. 85 SX 03 | 1 |

134703710

C144713710

* NEW PART

X ON DEMAND



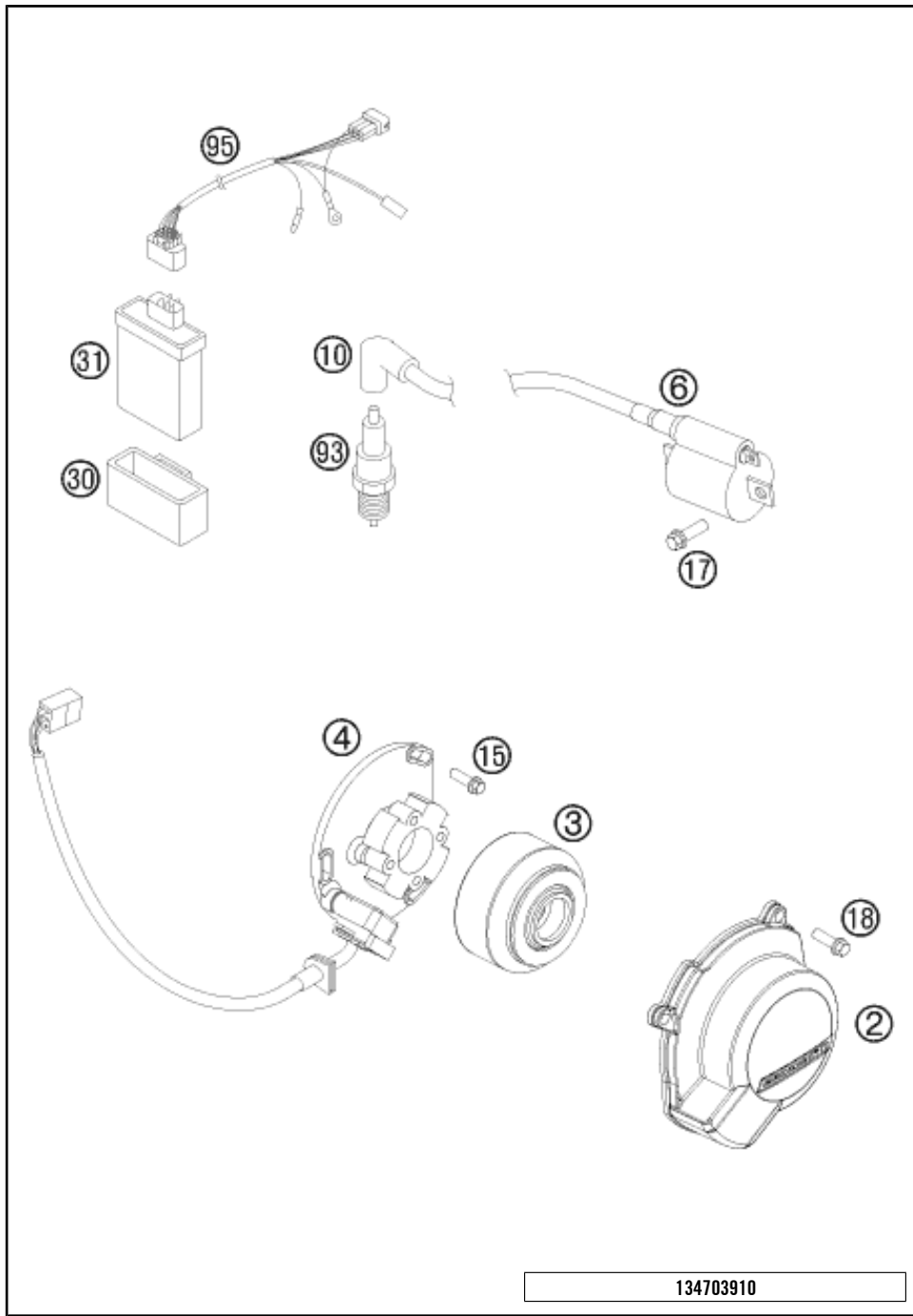
| POS | PARTNUMBER | PARTNAME | PIECE |
|-----|-------------|---------------------------|-------|
| 98 | 54637098100 | BALL BEARING 626LLBC3/5K | 2 |
| 99 | 47035055010 | WATER PUMP REP. KIT 85 SX | 1 |

134703710

C144713710

* NEW PART

X ON DEMAND



| POS | PARTNUMBER | PARTNAME | PIECE |
|-----|-------------|--------------------------------|-------|
| 2 | 47030002100 | IGNITION COVER | 1 |
| 3 | 46139005000 | ROTOR 65 SX 2003 | 1 |
| 4 | 46139004000 | STATOR 65/85 SX 2003 | 1 |
| 6 | 46139006100 | IGNITION COIL CPL. 65 SX 2003 | 1 |
| 10 | 47039090000 | SPARK PLUG CAP NGK REINFORC.04 | 1 |
| 15 | 0015050163 | HH COLLAR SCREW M 5X16 WS=8 | 3 |
| 17 | 0015060163 | HH COLLAR SCREW M 6X16 WS=8 | 2 |
| 18 | 0015060203 | HH COLLAR SCREW M 6X20 WS=8 | 3 |
| 30 | 46139030000 | RUBBER BR. DIGI.BOX 65SX 2003 | 1 |
| 31 | 47039031000 | CDI UNIT 85 SX 2003 | 1 |
| 93 | 51539093000 | SPARK PLUG BR9ECMVX | 1 |
| 95 | 46139095000 | WIRING HARNESS 65 SX 2003 | 1 |

134703910

C144713910

* NEW PART X ON DEMAND

A large, empty rectangular box with a thin black border, occupying the majority of the page. It is intended for the user to write their notes.

A large, empty rectangular box with a thin black border, occupying the majority of the page. It is intended for handwritten or typed notes.

A large, empty rectangular box with a thin black border, occupying the majority of the page. It is intended for handwritten or typed notes.



3CM080405NEN



Husqvarna Motorcycles GmbH
Stallhofnerstraße 3 | 5230 Mattighofen | Austria
www.husqvarna-motorcycles.com



THE PIONEERS OF MOTOCROSS