

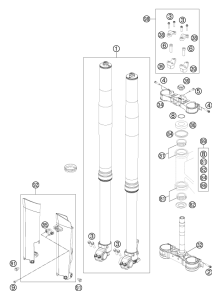
SPAREPARTSCATALOG

CHASSIS

ART.-NR.: 3CFF2101N1EN

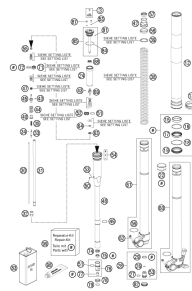
FC 250 EU 2014

FRONT FORK, TRIPLE CLAMP



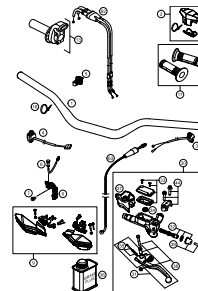
4

FRONT FORK DISASSEMBLED



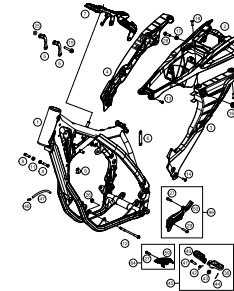
5

HANDLEBAR, CONTROLS



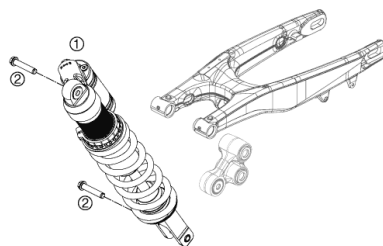
7

FRAME



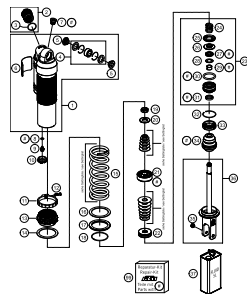
8

SHOCK ABSORBER



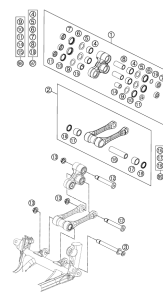
9

SHOCK ABSORBER DISASSEMBLED



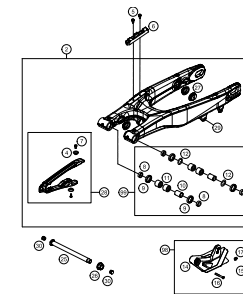
10

PRO LEVER LINKING



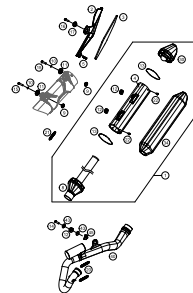
12

SWING ARM



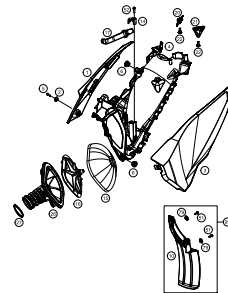
13

EXHAUST SYSTEM



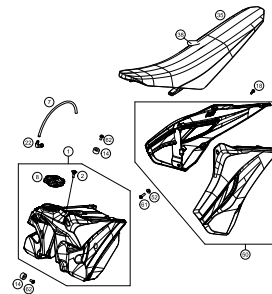
14

AIR FILTER

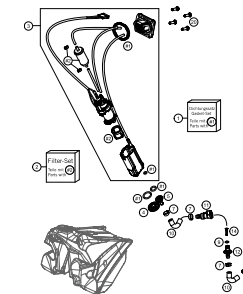


15

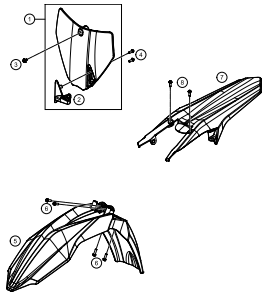
16



17

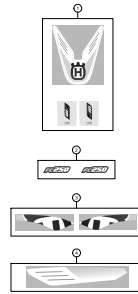


MASK, FENDERS



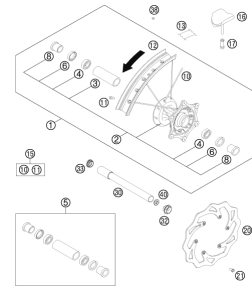
18

DECAL



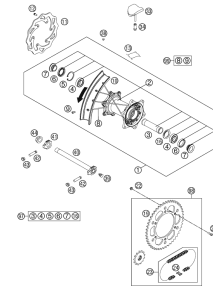
19

FRONT WHEEL



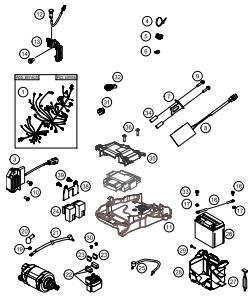
20

REAR WHEEL



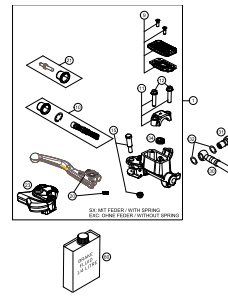
21

WIRING HARNESS



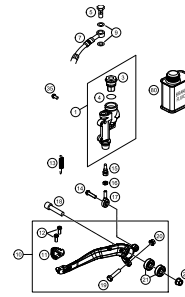
22

HAND BRAKE CYLINDER



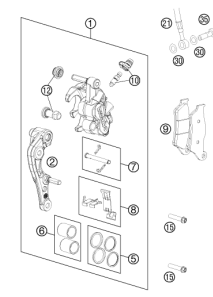
23

REAR BRAKE CONTROL



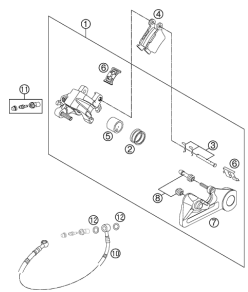
24

BRAKE CALIPER FRONT



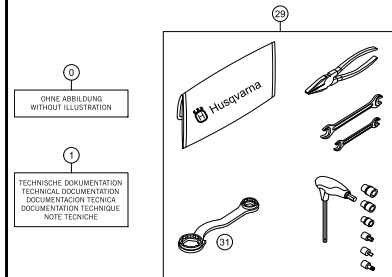
25

BRAKE CALIPER REAR



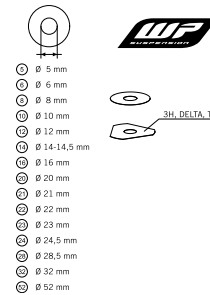
26

ACCESSORIES KIT



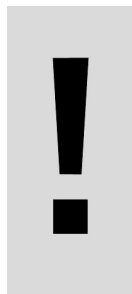
27

WP SHIMS FOR SETTING



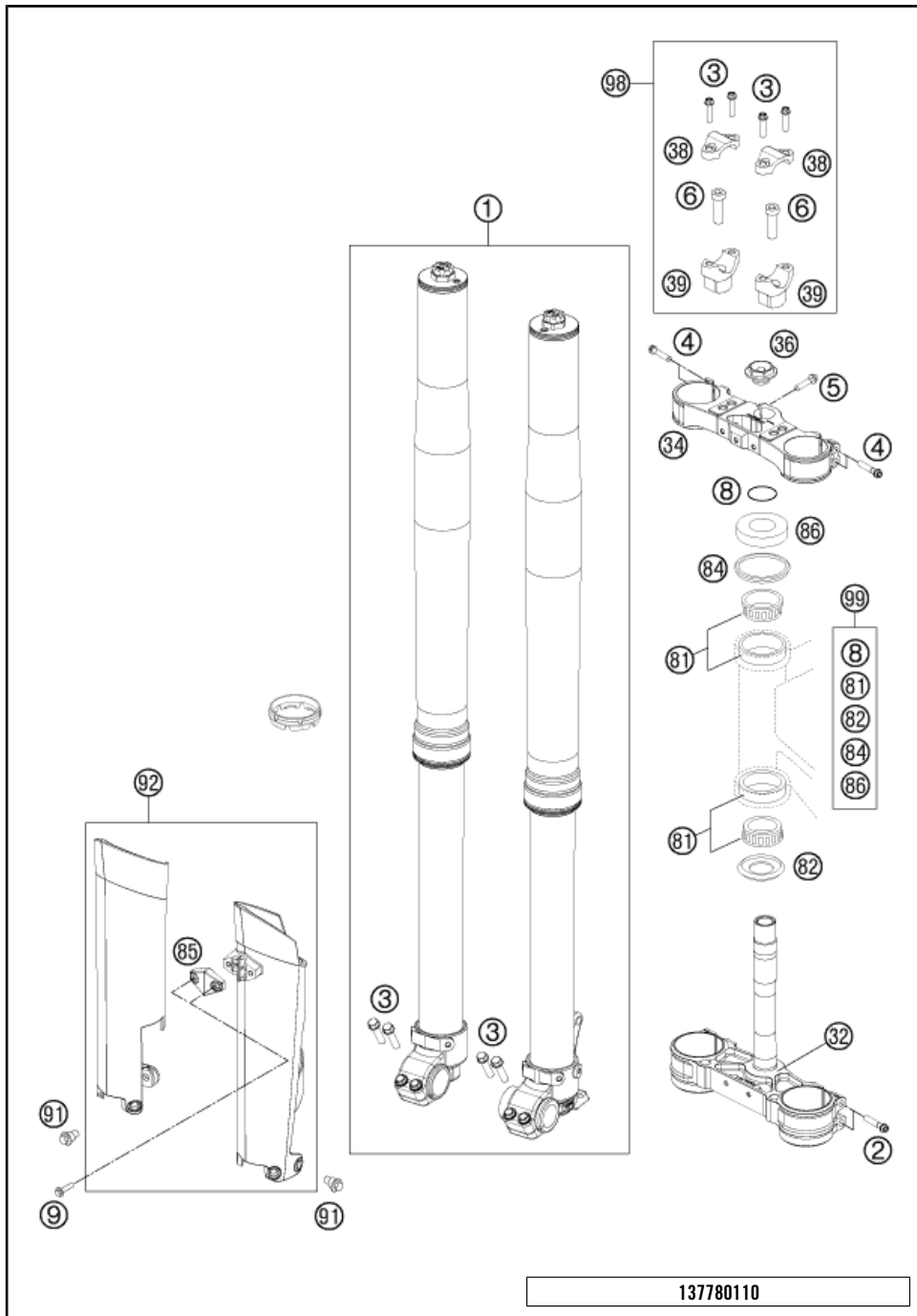
28

| | | | |
|--|--|--|--|
| | | | |
| | | | |



All information contained is without obligation. HUSQVARNA MOTORCYCLES GmbH particularly reserves the right to modify any equipment, technical specifications, prices, colors, shapes, materials, services, service work, constructions, equipment and the like so as to adapt them to local conditions or to cancel any of the above items, all without previous announcement and without giving reasons. KTM may stop manufacturing certain models without previous notice. HUSQVARNA MOTORCYCLES shall not be held liable for any deviations of availability and/or ability to deliver, illustrations, descriptions, printing and/or other errors. The illustrated models partly contain extra equipment, which is not applied to standard models.

© by HUSQVARNA MOTORCYCLES GmbH, Mattighofen AUSTRIA; All rights reserved; Reprint, also in extracts, with written allowance of HUSQVARNA MOTORCYCLES GmbH, Mattighofen only.

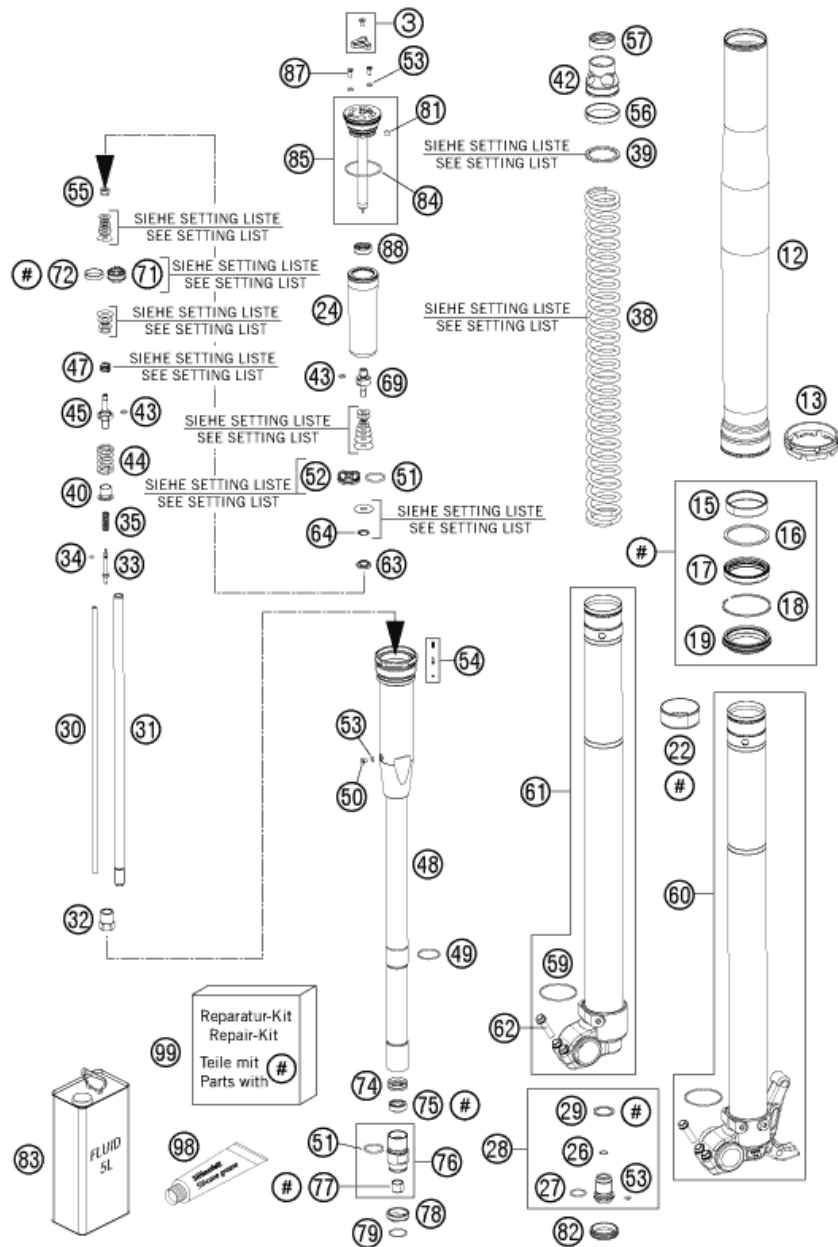


| POS | PARTNUMBER | PARTNAME | PIECE |
|-----|---------------|--------------------------------|-------|
| 1 | 14187N5501 | FORK WP 250 SX-F 14 | 1 |
| 2 | 0025080506 | HH COLLAR SCREW M8X50 TX40 | 4 |
| 3 | 0025080256 | HH COLLAR SCREW M8X25 TX40 | 8 |
| 4 | 0025080406 | HH COLLAR SCREW M8X40 TX40 | 4 |
| 5 | 0025080256S | HH COLLAR SCREW M8X25 TX40 | 1 |
| 6 | 0032100356S | AH-COLLAR SCREW M10X35 ISA45 | 2 |
| 8 | 0770025035 | O-RING 25X3,55 NBR70 05 | 1 |
| 9 | 0017060206 | SCREW F. PLASTIC K60X20AL SW6 | 2 |
| 32 | 7770103202230 | TRIPLE CL. BOTT. CPL. X=22 BL. | 1 |
| 34 | 7770103402230 | TRIPLE CLAMP TOP X=22 BLACK | 1 |
| 36 | 54801036000 | STEER.HEAD SCREW M20X1,5 WS=27 | 1 |
| 38 | 77201038000 | HANDLEBAR CLAMP 28MM | 2 |
| 39 | 59401039032 | HANDLEB.SUPP. D=28MM H=32MM 05 | x |
| 39 | 59401039037 | HANDLEB.SUPP. D=28MM H=37MM 05 | 2 |
| 39 | 59401039042 | HANDLEB.SUPP. D=28MM H=42MM 05 | x |
| 81 | 54201081100 | TAPERED ROLLER BEARING CPL. 06 | 2 |
| 82 | 54601084100 | O-RING SUPPORT W. SEALING LIP | 1 |
| 84 | 54601184000 | STEERING HEAD GASKET TOP | 1 |
| 85 | 78001085000DA | CLAMP FOR SPEED CABLE D=6MM 08 | 1 |
| 86 | 78101086000 | STEERING HEAD COVER | 1 |
| 91 | 59001092050 | SPECIAL SCREW M6X12,5 WS=8 | 6 |
| 92 | 78001094200DA | FORK PROTECTION L/S+R/S 2014 | 1 |
| 98 | 00050000921 | HANDLEBAR SUPPORT KIT D28/H37 | x |
| 99 | 00050000930 | STEERING HEAD REP. KIT 06-14 | x |

137780110

C148130118

* NEW PART X ON DEMAND

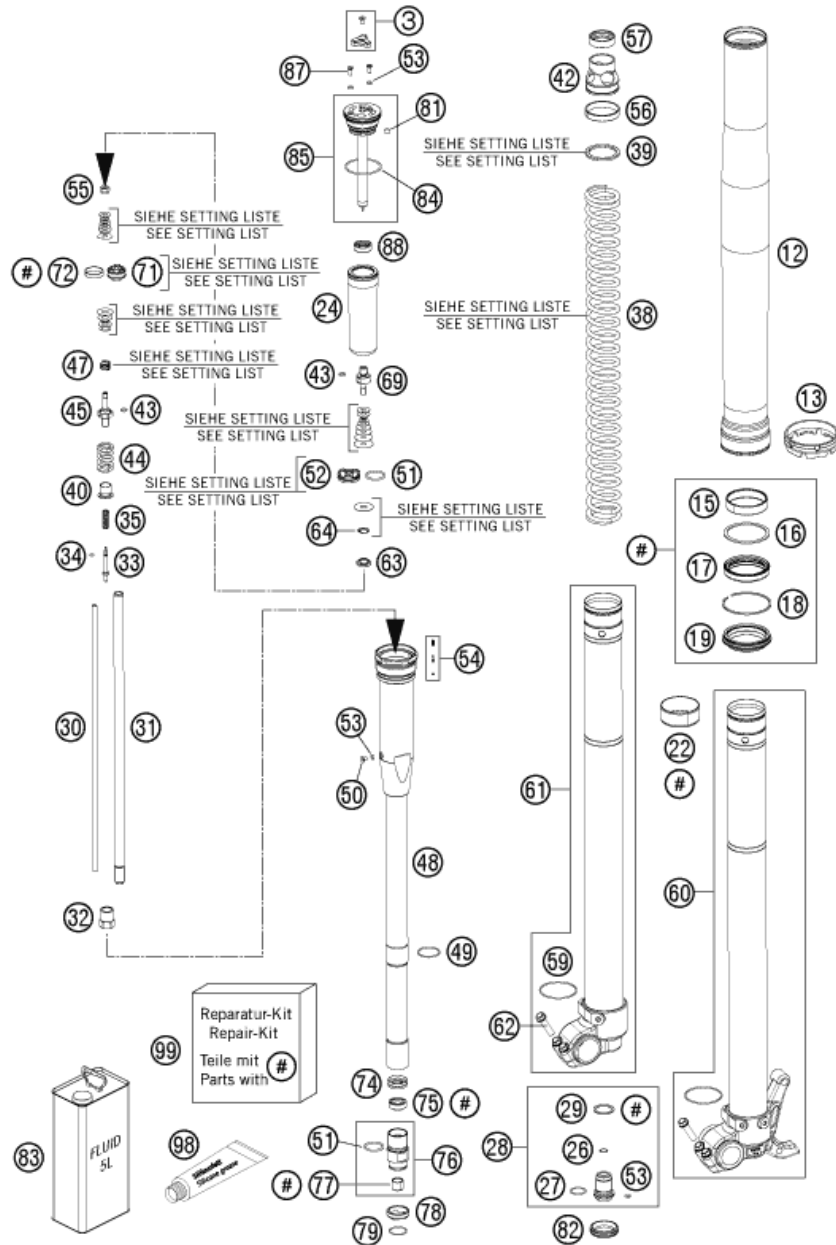


| POS | PARTNUMBER | PARTNAME | PIECE |
|-----|------------|-------------------------------|-------|
| 3 | 48600811S | ADJUSTING KNOB + SCREW | 2 |
| 12 | 48600736 | OUTER TUBE L577 D54/60MM 2L | 2 |
| 13 | 48600698 | FORK PROTECTION RING 08 | 2 |
| 15 | 48601009 | GUIDING BUSH 48X52X12 R11 | 2 |
| 16 | 48600013 | SUPPORT RING 50 X 57,6 X 1,5 | 2 |
| 17 | 48600969 | OIL SEAL RING D48 SKF | 2 |
| 18 | 48600070 | LOCK WASHER SB58 | 2 |
| 19 | 48600968 | DUST SEAL DL D48 SKF | 2 |
| 22 | 48601008 | GUIDING BUSH 47X49X20 R11 | 2 |
| 24 | 48600281 | MEMBRANE | 2 |
| 26 | 48600301 | O-RING NBR 9,5X1,5 | 2 |
| 27 | 46810811 | O-RING NBR 17X2 PA | 2 |
| 28 | 48600280S | SCREW BUSH M20X1 L=33 CPL. | 2 |
| 29 | 48600275 | COPPER WASHER 20,5X26X1 | 2 |
| 30 | 48600269 | ADJUSTING TUBE L=371 | 2 |
| 31 | 48600464 | PISTON ROD SXS 2005 | 2 |
| 32 | 48600459 | COUNTERNUT M12X1 WS17 | 2 |
| 33 | 48600887 | REBOUND NEEDLE SX | 2 |
| 34 | 48600298 | O-RING 2X1,5 NBR | 2 |
| 35 | 48600444 | REBOUND SPRING C=4N/MM | 2 |
| 38 | 91410010S | SPRING D43.2 L485 5.2N/MM | x |
| 38 | 91410027S | SPRING 4,4 N/MM SET D=5,1MM | x |
| 38 | 91410028S | SPRING 4,6 N/MM SET D=5,1MM | x |
| 38 | 91410029S | %POLISHED SPRING 4,8 N/MM | x |
| 38 | 91410030S | SPRING 5,0 N/MM | x |
| 38 | 91410059S | SPRING 4,0 N/MM SET | x |
| 38 | 91410060S | SPRING 4,2 N/MM SET D=5,0MM | x |
| 39 | 48600456 | SPACER 43X35X2,5 | x |
| 39 | 48600457 | SPACER 43X35X5 | x |
| 39 | 48600458 | SPACER 43X35X1,5 | x |
| 40 | 48600525 | GUIDING BUSH REBOUND SPRING | 2 |
| 42 | 48601298 | SPRING SUPPORT | 2 |
| 43 | 48600299 | O-RING 6X1,2 NBR | 4 |
| 44 | 48600578 | SPRING REB. L=32 C=37 DI=13,9 | 2 |
| 45 | 48600576 | PISTON ROD REBOUND | 2 |
| 47 | 48600382 | SHUTTLE VALVE SPRING C=0,4 | 2 |
| 48 | 48600519S3 | MEMBRANE HOLDER INKL. PIN SET | 2 |
| 49 | 48600512 | LOCK WASHER D=25,5 | 2 |

125030130

C148130132

* NEW PART X ON DEMAND



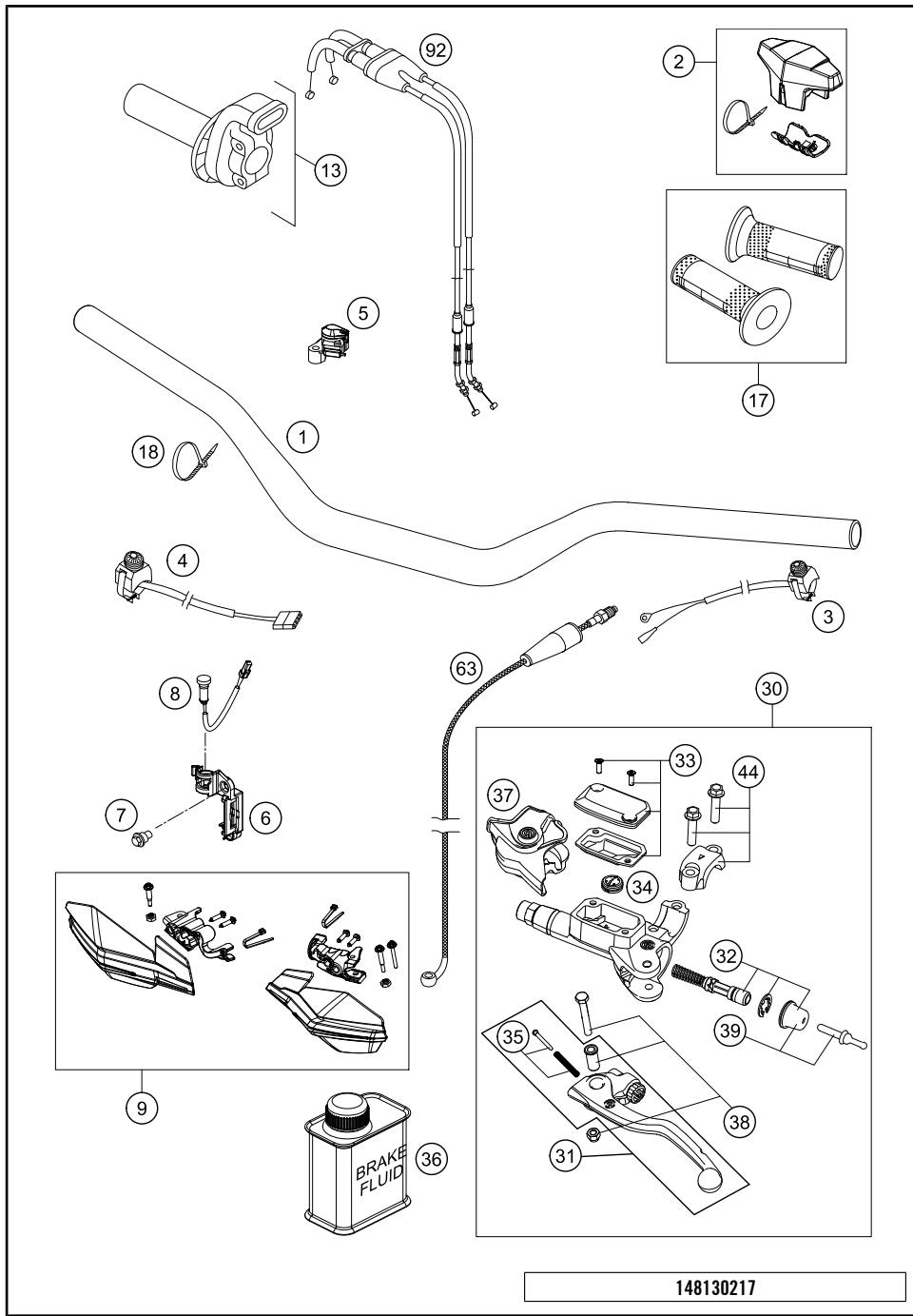
| POS | PARTNUMBER | PARTNAME | PIECE |
|-----|------------|------------------------------|-------|
| 50 | 48600542 | AH SCREW M4X6 | 2 |
| 51 | 46811499 | O-RING NBR 21X2 | 4 |
| 52 | 48600047 | PISTON COMPRESSION D=27,9 | 2 |
| 53 | 50180222 | O-RING NBR 4X1,5 | 8 |
| 54 | 48600977S | PIN KIT | 2 |
| 55 | 40540486 | NUT M6X0,5 REBOUND | 2 |
| 56 | 48600744 | GUIDE RING 44 X39 | 2 |
| 57 | 48600577 | RING SPRING-SUPPORT | 2 |
| 59 | 48600113 | WASHER 32X42X2,5 | 2 |
| 60 | 48600863SA | AXLE CLAMP LEFT + TUBE CPL. | 1 |
| 61 | 48600864SA | AXLE CLAMP RIGHT + TUBE CPL. | 1 |
| 62 | 0025080256 | HH COLLAR SCREW M8X25 TX40 | 4 |
| 63 | 48601169 | NUT VALVE M6X0,5 | 2 |
| 64 | 48600202 | SPRING CHECK VALVE D=0,7 | 2 |
| 69 | 48600509 | PISTON ROD COMPRESSION | 2 |
| 71 | 48600575 | PISTON REBOUND SX 2007 | 2 |
| 72 | 48600455 | PISTON RING 5X1X68 | 2 |
| 74 | 48601056 | RING 23,45X8,9 | 2 |
| 75 | 48600829 | SHAFT SEAL RING 12MM | 2 |
| 76 | 48601055S | SCREW SLEEVE M24,5X1 CPL. | 2 |
| 77 | 48600430 | DU BUSH FOR PISTON ROD | 2 |
| 78 | 48600709 | CHECK VALVE STOP | 2 |
| 79 | 48600446 | LOCK WASHER D=20 | 2 |
| 81 | 15080017 | SILICON CAP | 2 |
| 82 | 48600692 | RUBBER CAP D=26,4 | 2 |
| 83 | 48601166S1 | FORK OIL SAE4 5L | 1 |
| 84 | 40140024 | O-RING NBR 43X2 | 2 |
| 85 | 48600516S1 | SCREW CAP CPL. L=125 | 2 |
| 87 | 48600526 | SCREW M4X10 | 4 |
| 88 | 48600514 | MEMBRANE SLEEVE | 2 |
| 98 | T511 | SILICONE GREASE F. DUST STRI | 1 |
| 99 | R14020 | SXS SERVICE KIT | 1 |

125030130

C148130132

* NEW PART

X ON DEMAND

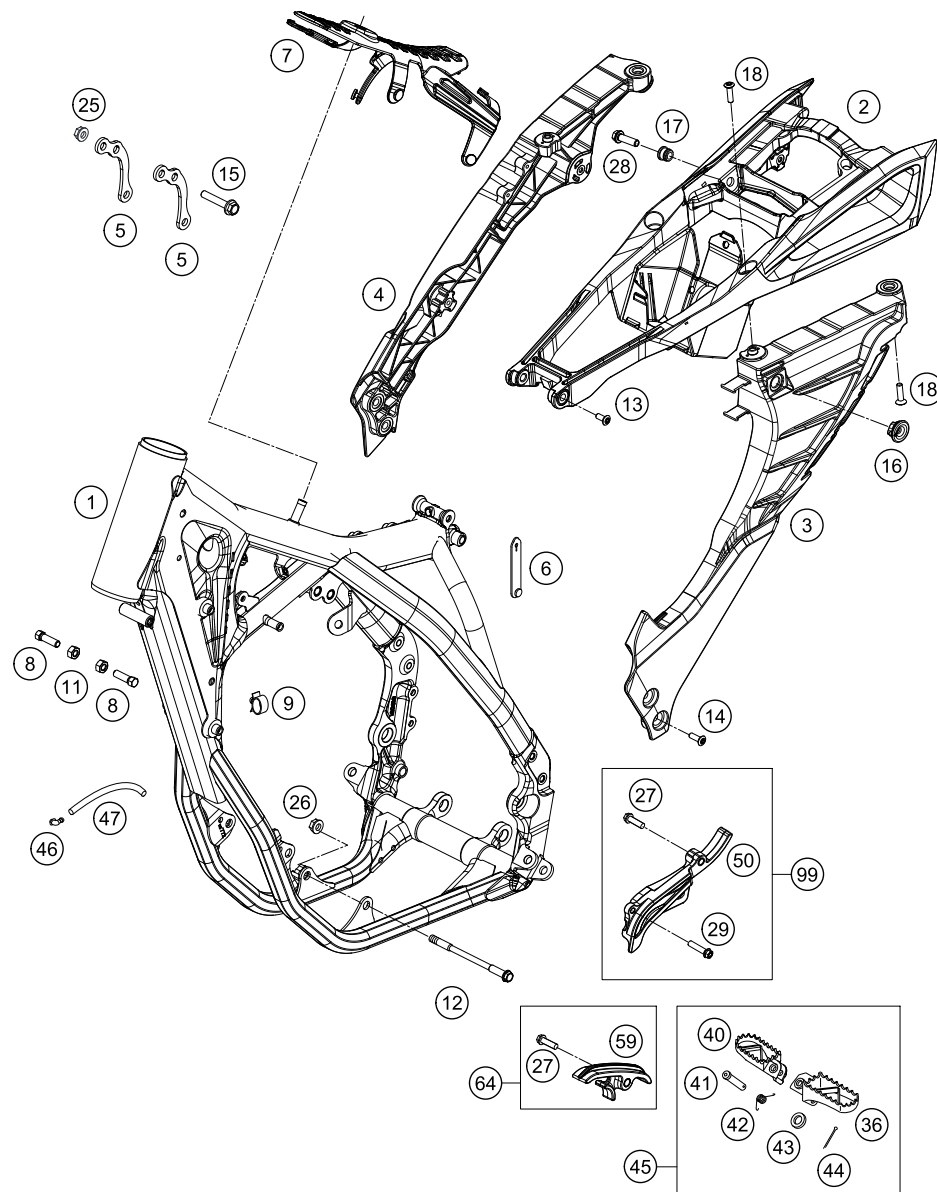


| POS | PARTNUMBER | PARTNAME | PIECE |
|-----|---------------|-------------------------------|-------|
| 1 | 7770200100030 | HANDLEBAR RENTHAL BLACK 13 | 1 |
| 2 | 80302602044 | BAR PAD CPL. | 1 |
| 3 | 50311089200 | SHORT CIRCUIT BUTTON 02 | 1 |
| 4 | 78111074000 | STARTER BUTTON GREY 13 | 1 |
| 5 | 77239974000 | MAP SWITCH SET | 1 |
| 6 | 77214098000 | HOLDER INDICATOR LIGHT SX | 1 |
| 7 | 59001092050 | SPECIAL SCREW M6X12,5 WS=8 | 1 |
| 8 | 81214083000 | INDICATOR LIGHT LED YELLOW FI | 1 |
| 9 | 7770207900028 | HANDGUARDS CPL. L+R WHITE | 1 |
| 13 | 78102010000 | THROTTLE GRIP CPL. | 1 |
| 17 | 80302021000 | GRIP SET BLACK/WHITE | 1 |
| 18 | 44011076200 | CABLE TIE 200/3,6MM BLACK | x |
| 18 | 44011076140 | CABLE TIE 140/2,5MM BLACK | x |
| 30 | 54802030144 | MASTER CYLINDER CPL. | 1 |
| 31 | 54802031000 | CLUTCH LEVER CPL. BREMBO 06 | 1 |
| 32 | 54802032000 | REP. KIT PISTON 06 | 1 |
| 33 | 5480200310030 | COVER HYD. CLUTCH CPL. 2014 | 1 |
| 34 | 54802051000 | VALVE | 1 |
| 35 | 54802052000 | BOLT KPL. | 1 |
| 36 | 00062030000 | BRAKE FLUID DOT5.1 0,25L | 1 |
| 37 | 54802037000 | PROTECTION CAP 06 | 1 |
| 38 | 54802038100 | LEVER SCREW CPL. 06 | 1 |
| 39 | 54802046000 | PUSH ROD CPL. | 1 |
| 44 | 54802005100 | CLAMP CPL. 06 | 1 |
| 63 | 54832063000 | CLUTCH PIPE 06 | 1 |
| 92 | 78102091000 | THROTTLE CABLE 4T. 13 | 1 |

148130217

C148130230

* NEW PART X ON DEMAND



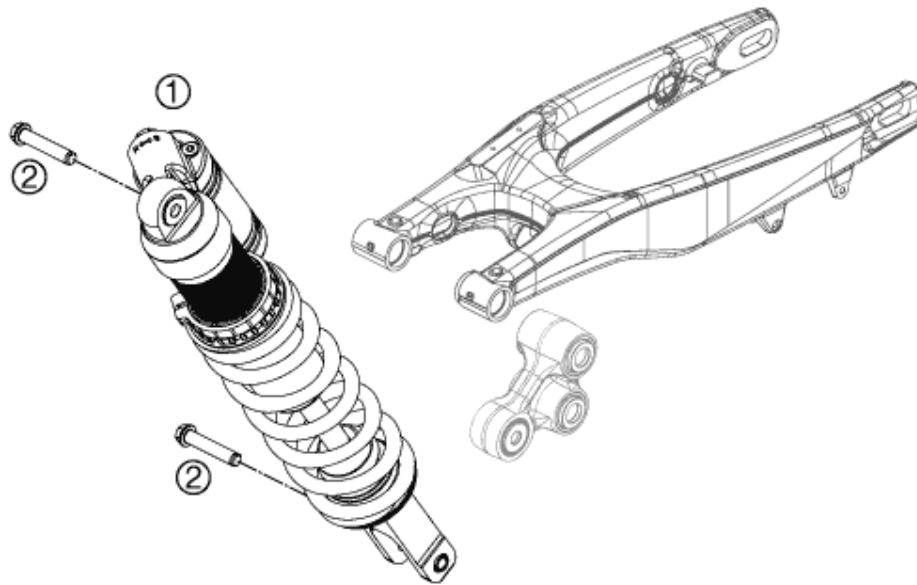
148130322

| POS | PARTNUMBER | PARTNAME | PIECE |
|-----|---------------|--------------------------------|-------|
| 1 | 8130350100028 | FRAME 250 FC 2014 | 1 |
| 2 | 8130300211030 | SUB FRAME UPPER PART CPL. 14 | 1 |
| 3 | 8130300212030 | SUB FRAME L/S CPL. 2014 | 1 |
| 4 | 8130300213030 | SUB FRAME R/S CPL. 2014 | 1 |
| 5 | 77703013000 | REINFORCING | 2 |
| 6 | 60011093075 | RUBBER CABLE TIE 75MM 03 | 1 |
| 7 | 77207012000 | TANK REST RUBBER | 1 |
| 8 | 59001037000 | SPECIAL SCREW M8X26 WS=10 | 2 |
| 9 | 57013072100 | WIRING HOLDER 16MM | 1 |
| 11 | 0934080003 | HEXAGON NUT DIN0934-M 8 | 2 |
| 12 | 77203014000 | ENGINE BRAC.SCR. M10X115 | 2 |
| 13 | 0035080306S | AH-COLLAR SCREW M8X30 ISA45 | 2 |
| 14 | 0035080206S | AH-COLLAR SCREW M8X20 ISA45 | 4 |
| 15 | 56530079000S | HH COLLAR SCREW M8X44 WS13 | 3 |
| 16 | 47106003160 | QUICK CONNECTOR CLUTCH | 2 |
| 17 | 81303002011 | SPACER BUSHING 12X9X6,2 | 2 |
| 18 | 0019080306S | COUNTER-SUNK SCREW ISA45 M8X30 | 4 |
| 25 | 06923080003 | HEXAGON NUT DIN EN1661 M8 SW13 | 3 |
| 26 | 54310086100 | SELF LOCKING NUT M10 CU WS=14 | 2 |
| 27 | 0025080306 | HH COLLAR SCREW M8X30 TX40 | 2 |
| 28 | 0025060206 | HH COLLAR SCREW M6X20 TX30 | 2 |
| 29 | 0025060256 | HH COLLAR SCREW M6X25 TX30 | 1 |
| 36 | 78003040050 | FOOTREST L/S 08 | 1 |
| 40 | 78003041050 | FOOTREST R/S 08 | 1 |
| 41 | 54803044000 | BOLT FOR FOOT PED 03 | 2 |
| 42 | 54603041000 | FOOTREST SPRING L/S & R/S | 2 |
| 43 | 0125100003 | WASHER DIN0125-A10,5 | 2 |
| 44 | 0094032253 | PIN DIN0094-3,2X25 STEEL | 2 |
| 45 | 78003040033 | FOOTREST L/S + R/S CPL. 09 | 1 |
| 46 | 50303089000 | ANGLE PIECE '97 | 2 |
| 47 | 55007016001 | PVC-HOSE 7X10 PER METER | 0 |
| 50 | 77203096000 | SPROCKET COVER 350 SX-F | 1 |
| 59 | 77203053000 | CHAIN SLIDING PIECE BELOW | 1 |
| 64 | 77203053010 | CHAIN SLIDING KIT BELOW CPL.11 | 1 |
| 99 | 77203096010 | SPROCKET COVER KIT | x |

C148130327

* NEW PART

X ON DEMAND



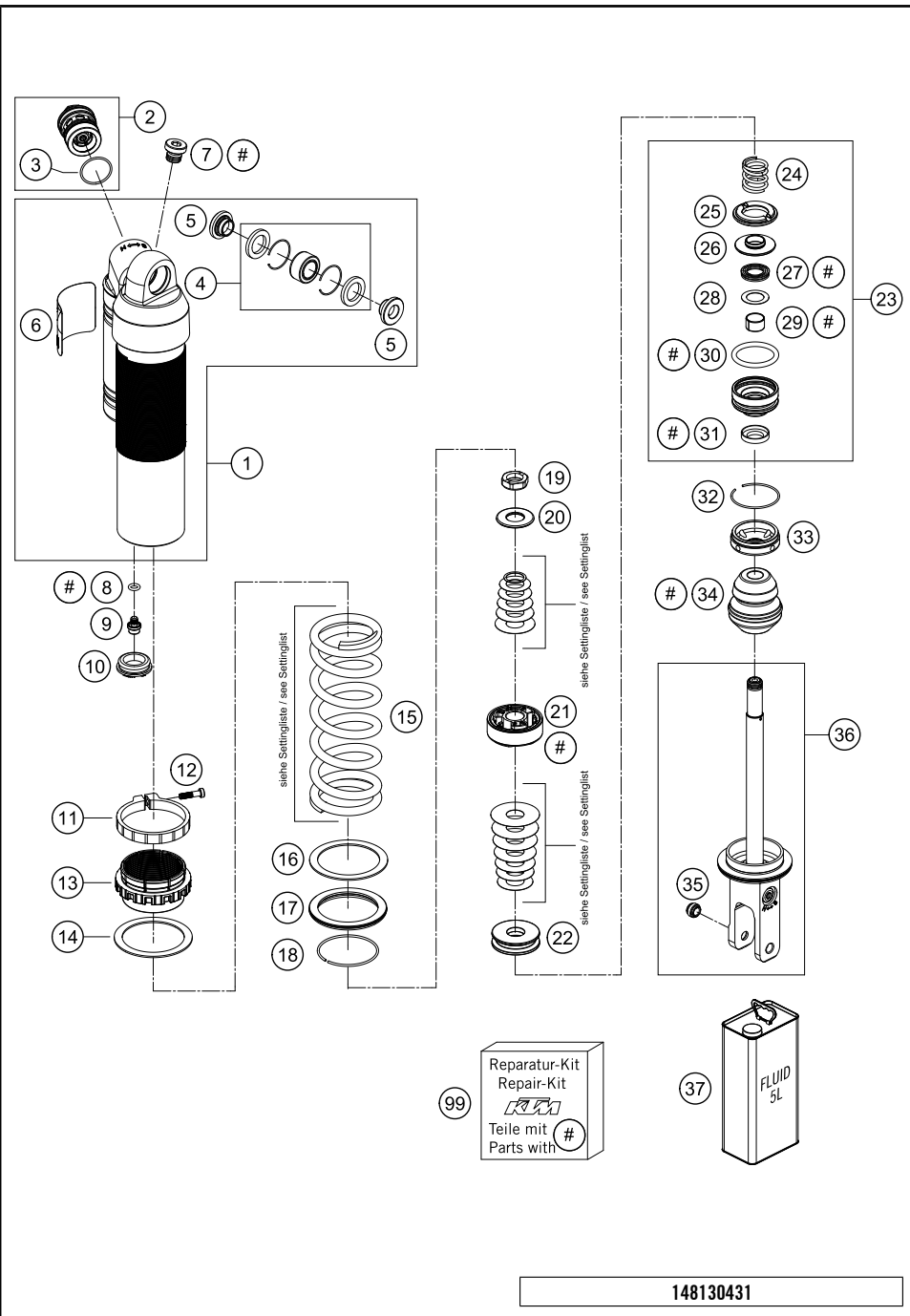
| POS | PARTNUMBER | PARTNAME | PIECE |
|-----|-------------|-----------------------------|-------|
| 1 | 18157N5501 | MONOSHOCK LINK 250 FC 2014 | 1 |
| 2 | 77204089000 | HH COLLAR SCREW M10X52 SW13 | 2 |

117710410

C148130416

* NEW PART

X ON DEMAND



| POS | PARTNUMBER | PARTNAME | PIECE |
|-----|-------------|--------------------------------|-------|
| 1 | 50180944S1 | MONOSHOCK UPPER PART CPL. | 1 |
| 2 | 50180213S17 | DCC COMPR.DAMP.CON. SX 13 USA | 1 |
| 3 | 50180218 | * O-RING 25X1,5 VITON | 1 |
| 4 | R12012 | REP. KIT BEAR./SEAL UP. 07 | 1 |
| 5 | 46180010 | BUSH KGW 10X24 | 2 |
| 6 | 52000087 | STICKER WP MONOSHOCK | 1 |
| 7 | 50180095 | BLEED PLUG R 1/8 | 1 |
| 8 | 46810893 | O-RING NBR 5,28X1,78 | 1 |
| 9 | 36120151 | SCREW PLUG M5X6 | 1 |
| 10 | 46811208 | RUBBER CAP "DO NOT OPEN" | 1 |
| 11 | 50180937 | TENSIONING RING D64 H10 | 1 |
| 12 | 14460042 | %ALLENHEAD SCREW M5 L=20 STAIN | 1 |
| 13 | 50180938 | ADJUSTING NUT PLASTIC | 1 |
| 14 | 50180965 | SPACER RING SPRING 61,3X78X3 | 1 |
| 15 | 91210100S | SPRING 260 45 N/MM | x |
| 15 | 91210101S | SPRING 260 48 N/MM | x |
| 15 | 91210102S | SPRING 260 51 N/MM | x |
| 16 | 50180793 | SPACER RING ADJUSTING NUT | 1 |
| 17 | 50180824 | VALVE SPRING D80 CLOSED | 1 |
| 18 | 50180273 | CIRCLIP 58,2X2 | 1 |
| 19 | 50180141 | PISTON ROD NUT M16X1 | 1 |
| 20 | 50180836 | REBOUND DISC 16X34 T2 H0 | 1 |
| 21 | 50180786S | PISTON D50 | 1 |
| 22 | 50180961 | REBOUND DISC D16X43 H12 | 1 |
| 23 | 50180603SA | ADAPTER D50 H28 CPL. | 1 |
| 24 | 50180780 | REBOUND SPRING | 1 |
| 25 | 50180798 | REBOUND RUBBER | 1 |
| 26 | 50180800 | SPRING RING | 1 |
| 27 | 50180605S | SEAL D18X30X5 08 | 1 |
| 28 | 50180604 | SHIM D29,75 X D19 X T0,4 08 | 1 |
| 29 | 46180119 | DU-BUSH 18X20X12 | 1 |
| 30 | 50180103 | O-RING 41X5 | 1 |
| 31 | 50180606 | DUST SEAL 1828 08 | 1 |
| 32 | 50180126 | CIRCLIP 53X1,75 | 1 |
| 33 | 50180626 | RESERVOIR CAP D=50 H=10 09 | 1 |
| 34 | 50180775 | BUMP RUBBER | 1 |
| 35 | 46811205 | ADAPTOR-BUSH M10x1,50, D=15 | 1 |
| 36 | 50180773SA | MONOSHOCK BOTTOM PART CPL. | 1 |

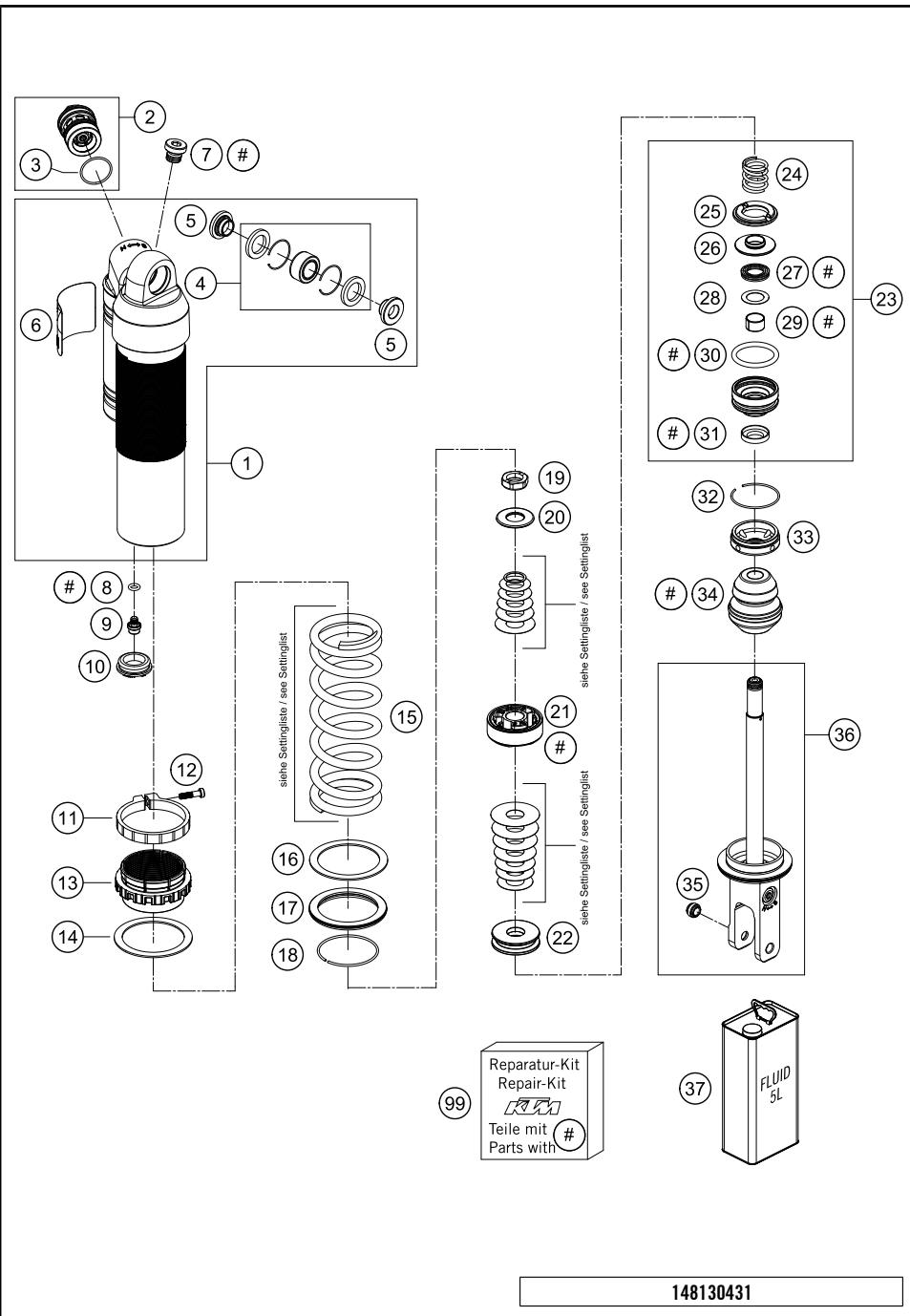
148130431

C148130432

* NEW PART X ON DEMAND

SHOCK ABSORBER DISASSEMBLED

FC 250 EU 2014



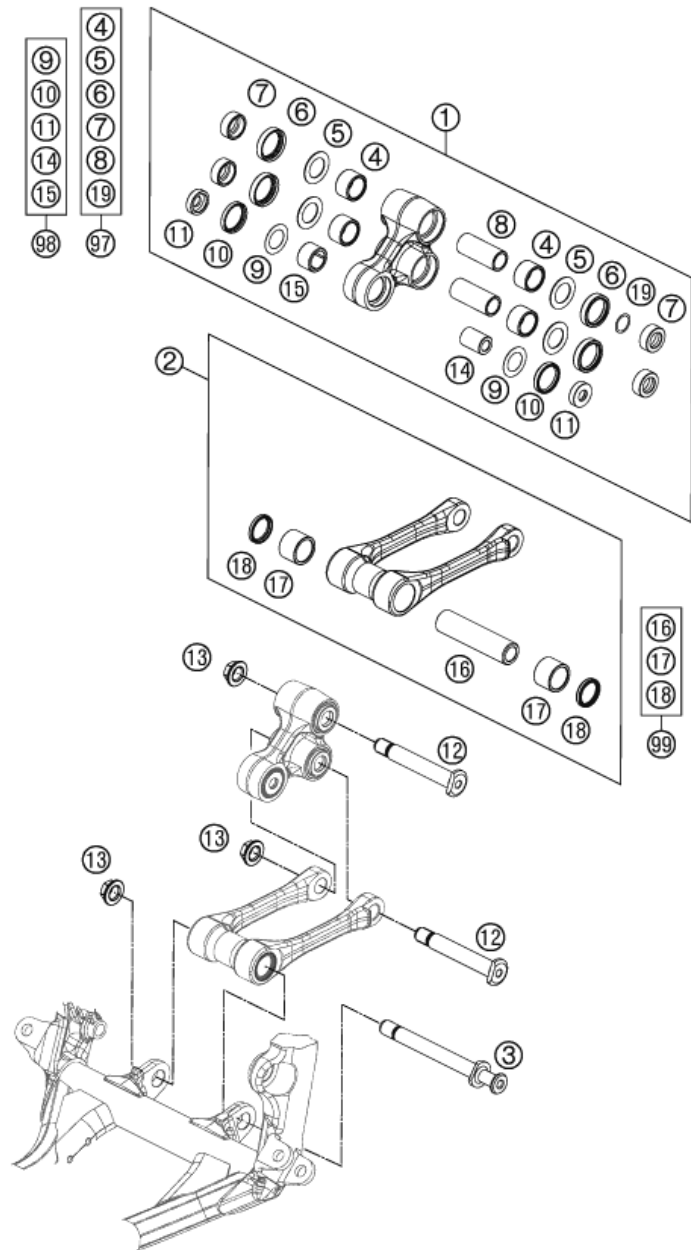
| POS | PARTNUMBER | PARTNAME | PIECE |
|-----|------------|---------------------------|-------|
| 37 | 50180751S1 | SHOCK ABSORBER FLUID 5 LT | 1 |
| 99 | R12018 | REPAIR-KIT | X |

148130431

C148130432

* NEW PART

X ON DEMAND



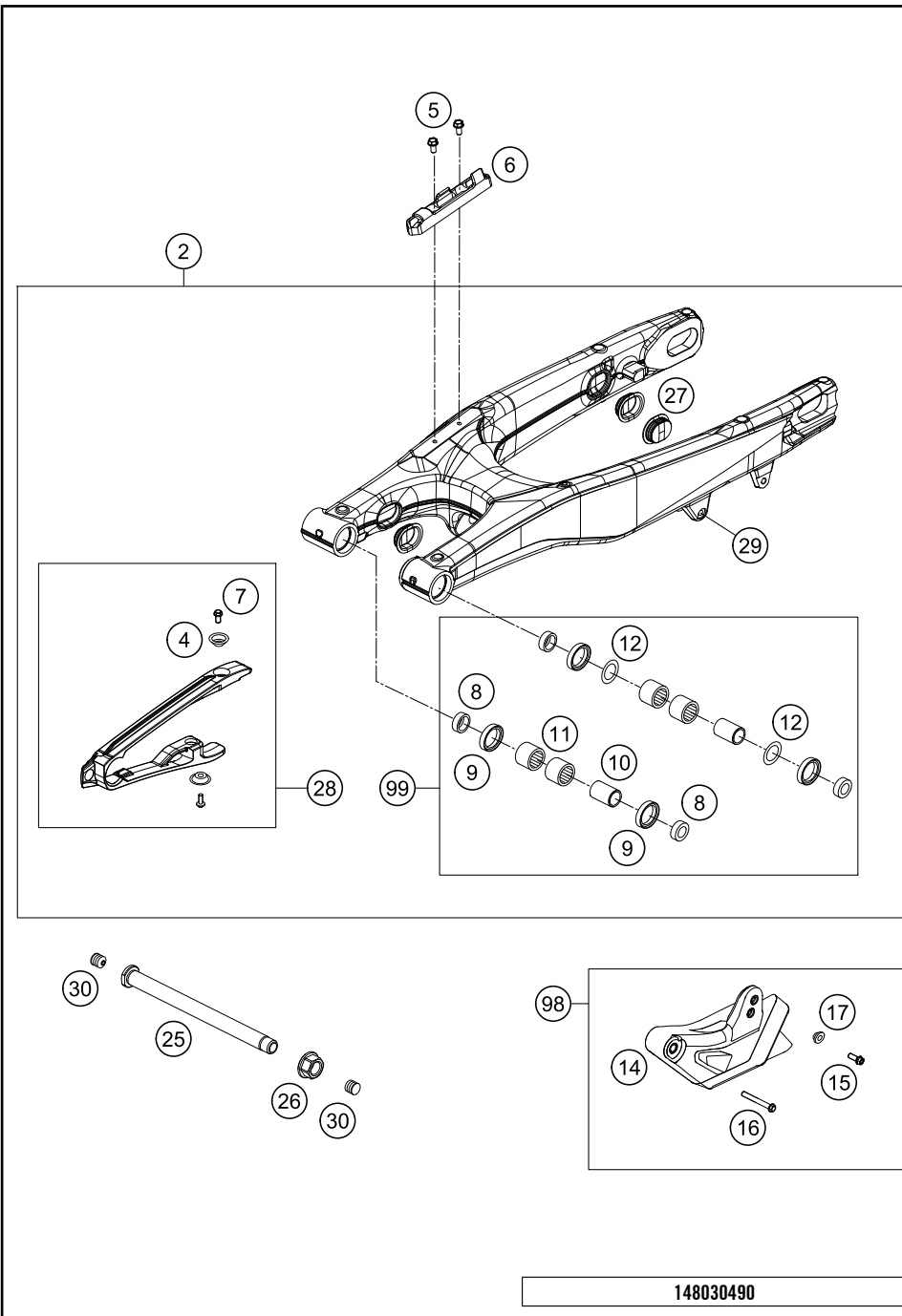
137780460

| POS | PARTNUMBER | PARTNAME | PIECE |
|-----|---------------|--------------------------------|-------|
| 1 | 7720408014401 | TRIANGLE LEVER CPL. SX 2013 | 1 |
| 2 | 7720408304401 | PULL ROD CPL. | 1 |
| 3 | 77204084000 | PULL ROD ANCHOR BOLT | 1 |
| 4 | 54603097000 | NEEDLE BUSH HK 2016 | 4 |
| 5 | 59033080000 | SHIM 20X32X1 | 4 |
| 6 | 0760253270 | SHAFT SEAL RING 25X32X7 | 4 |
| 7 | 77204080130 | BUCKET SHAFT SEAL RING 25X11 | 4 |
| 8 | 54603081000 | BUSHING SLEEVE 15 X 20 X 48 | 2 |
| 9 | 50180604 | SHIM D29,75 X D19 X T0,4 08 | 2 |
| 10 | 0760243050 | SHAFT SEAL RING 24X30X5 | 2 |
| 11 | 77204080020 | BUCKET FOR SHAFT SEAL RING | 2 |
| 12 | 77204085000 | BOLT FOR CANTILEVER M14 | 2 |
| 13 | 77204087000 | HEX NUT M14X1.5 SW17 | 3 |
| 14 | 77204080010 | BEARING SLEEVE 10X18X25,5 | 1 |
| 15 | 0618182416 | NEEDLE BUSH HN1816 RS 18/24/16 | 1 |
| 16 | 77204084010 | BEARING SLEEVE | 1 |
| 17 | 0618222820 | NEEDLE BEARING HK2220 22X28X20 | 2 |
| 18 | 0760222841 | SHAFT SEAL RING G22x28x4 | 2 |
| 19 | 54603090010 | STEEL WASHER 15,2X19X0,1 | x |
| 19 | 54603090020 | STEEL WASHER 15,2X19X0,2 | x |
| 19 | 54603090030 | STEEL WASHER 15,2X19X0,3 | x |
| 97 | 77204080110 | TRIANGLE LEVER REP. KIT REAR | x |
| 98 | 77204080090 | TRIANGLE LEVER REP. KIT FRONT | x |
| 99 | 77204083010 | PULL ROD REP. KIT SX/SX-F | x |

C147780460

* NEW PART

X ON DEMAND

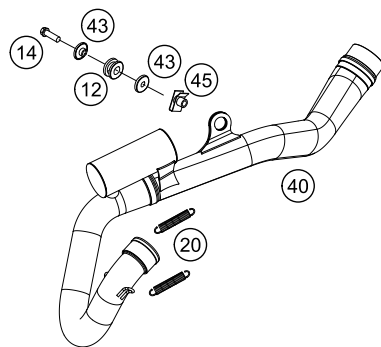
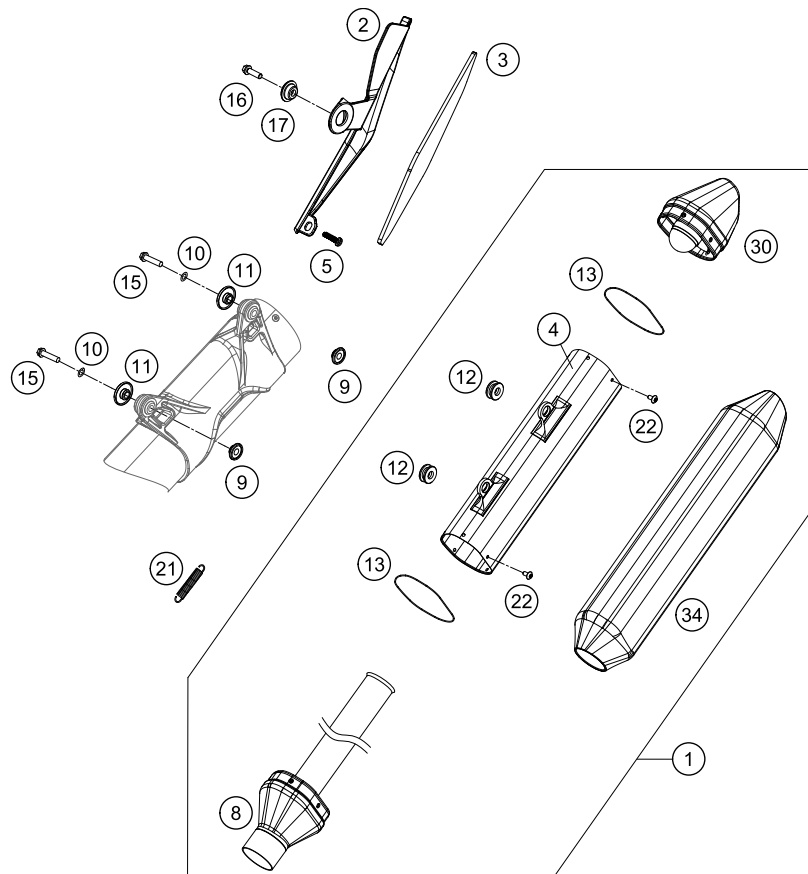


| POS | PARTNUMBER | PARTNAME | PIECE |
|-----|-------------|--------------------------------|-------|
| 2 | 77204030044 | SWINGARM CPL. 11 | 1 |
| 4 | 77304066050 | BUSHING F. CHAIN SLIDING PR.07 | 2 |
| 5 | 0009050106 | EJOT SPIRAL SCREW SF M5X10-K | 2 |
| 6 | 76504042000 | BRAKE LINE GUIDE 08 | 1 |
| 7 | 59009062013 | SPECIAL SCREW M6X13 WS=8 10.9 | 2 |
| 8 | 54804034000 | BUCKET F. SHAFT SEAL RING 03 | 4 |
| 9 | 0760253270 | SHAFT SEAL RING 25X32X7 | 4 |
| 10 | 54804032000 | BUSHING SLEEVE F. SWING ARM 03 | 2 |
| 11 | 58033097000 | NEEDLE BEARING HK 2216 | 4 |
| 12 | 54603036000 | STOP DISK 22,2X31,7X1 | 2 |
| 14 | 77704070000 | CHAIN GUIDE REAR CPL. SX 2013 | 1 |
| 15 | 59009062019 | SPECIAL SCREW M6X19 WS=8 10.9 | 1 |
| 16 | 0025060456 | HH COLLAR SCREW M6X45 TX30 | 1 |
| 17 | 77304070130 | BUSH. F. CHAIN FAIL. PROT. 07 | 1 |
| 25 | 77304037000 | SWINGARM BOLT M16X1,5 07 | 1 |
| 26 | 54804038000 | SELF LOCK.NUT M16X1,5 WS=19 03 | 1 |
| 27 | 77204041000 | CLOSING COVER | 4 |
| 28 | 77204066010 | CHAIN GUARD CPL. 11-14 | 1 |
| 29 | 54603055051 | PRESS IN NUT M6 STEEL ZINC | 1 |
| 30 | 55009086000 | PLUG SFL13 | 2 |
| 98 | 77704070210 | CHAIN GUIDE KIT REAR SX-F 14 | 1 |
| 99 | 54804230210 | SWINGARM REPAIR KIT 05-14 | x |

148030490

C148030490

* NEW PART X ON DEMAND



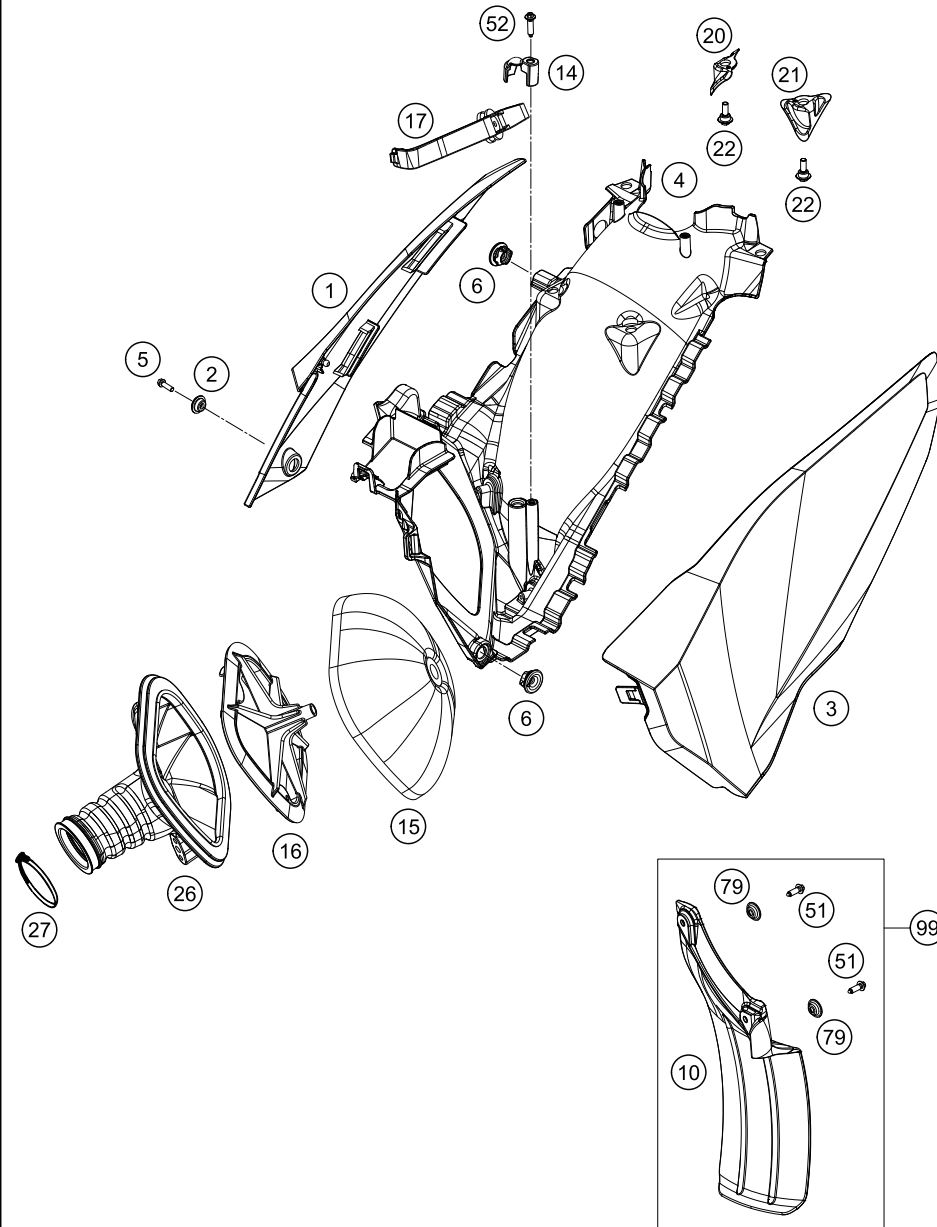
148130524

| POS | PARTNUMBER | PARTNAME | PIECE |
|-----|---------------|--------------------------------|-------|
| 1 | 81305579000 | SILENCER 250FC | 1 |
| 2 | 8130501100030 | HEAT SHIELD BLACK | 1 |
| 3 | 81305011050 | THERMAL PROTECTION FOIL | 1 |
| 4 | 81305579080 | SILENCER HOUSING | 1 |
| 5 | 0081050121 | SCREW FOR PLASTIC K50X12 T20 | 1 |
| 8 | 77705079050 | CONNECTING CAP CPL. | 1 |
| 9 | 81305069000 | BUSHING 7,5X12X20 | 2 |
| 10 | 0137060003 | SPRING WASHER DIN0137-B 6 | 2 |
| 11 | 77205169000 | BUSHING 7.5x12x28x8.3 11 | 2 |
| 12 | 77205068000 | DAMP. COMPON. BLACK | 3 |
| 13 | 0770740015 | O-RING 74,00X1,50 FKM 75SH | 2 |
| 14 | 0025060306 | HH COLLAR SCREW M6X30 TX30 | 1 |
| 15 | 0025060356 | HH COLLAR SCREW M6X35 TX30 | 2 |
| 16 | 0025060206 | HH COLLAR SCREW M6X20 TX30 | 1 |
| 17 | 77308013010 | COLLAR BUSH. F.REAR FENDER 07 | 1 |
| 20 | 50305016000 | TEN.SPRING L=62MM EY.MOVEABLE | 2 |
| 21 | 50305116000 | TEN.SPRING L=75MM EY.MOVEABLE | 1 |
| 22 | 78105081010 | SCREW TORX M5X10 | 10 |
| 30 | 77705079060 | ENDCAP CPL. | 1 |
| 34 | 77705078640 | ROCKWOOL PREFORMED | 1 |
| 40 | 77705007000 | EXHAUST MANIFOLD SX | 1 |
| 43 | 59405069000 | BUSHING FOR EXHAUST SUPPORT 03 | 2 |
| 45 | 54603048000 | RANGE CHANGE METAL NUT M8 | 1 |

C148130530

* NEW PART

X ON DEMAND



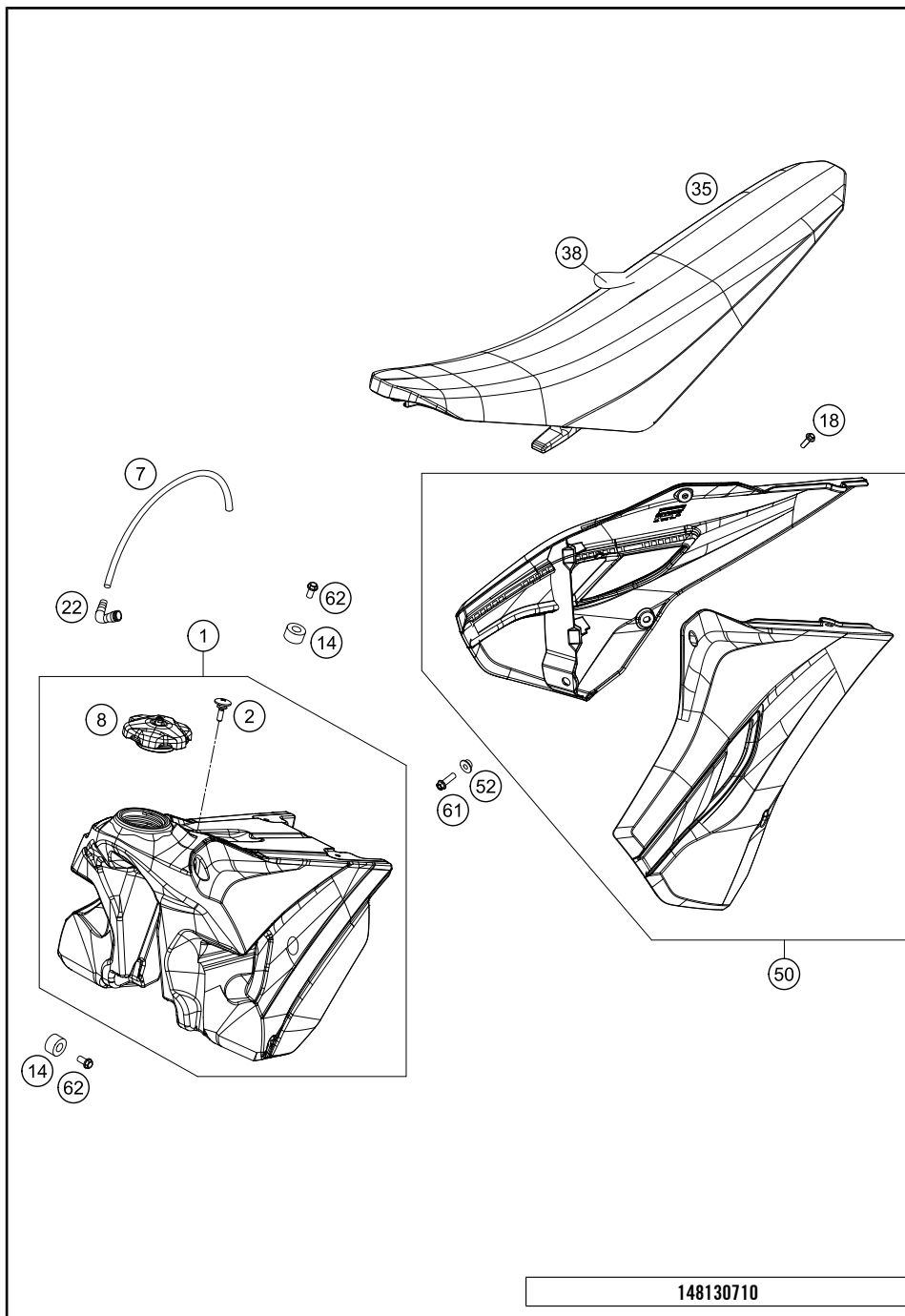
| POS | PARTNUMBER | PARTNAME | PIECE |
|-----|----------------|--------------------------------------|-------|
| 1 | 8130600400028C | FILTER BOX COVER R/S 2014 WITH DECAL | 1 |
| 2 | 77308013010 | COLLAR BUSH. F.REAR FENDER 07 | 1 |
| 3 | 8130600300028C | FILTER BOX COVER L/S 2014 WITH DECAL | 1 |
| 4 | 8130610110030 | FILTER WALL 4-STROKE | 1 |
| 5 | 0025060206 | HH COLLAR SCREW M6X20 TX30 | 1 |
| 6 | 47106003160 | QUICK CONNECTOR CLUTCH | 2 |
| 10 | 77306010000 | FENDER FOR FILTER BOX | 1 |
| 14 | 81306001010 | FIXING CAP | 1 |
| 15 | 77206015000 | AIR FILTER | 1 |
| 16 | 54806516000 | FILTER CARRIER | 1 |
| 17 | 81306017000 | FILTER SUPPORT CPL. | 1 |
| 20 | 8130600105130 | COVER L/S | 1 |
| 21 | 8130600105030 | COVER R/S | 1 |
| 22 | 83008100020 | SCREW M6X20X5,5 | 4 |
| 26 | 77806024000 | INTAKEBOOT | 1 |
| 27 | 78006027000 | HOSE CLAMP 45-65MM | 1 |
| 51 | 0017060206 | SCREW F. PLASTIC K60X20AL SW6 | 2 |
| 52 | 0017060255 | EJOT PT SCREW K60X25-Z SW6 | 1 |
| 79 | 77304066050 | BUSHING F. CHAIN SLIDING PR.07 | 2 |
| 99 | 77306010010 | SPLASH PROTECTOR KIT SX/EXC | x |

148130613

C148130624

* NEW PART

X ON DEMAND



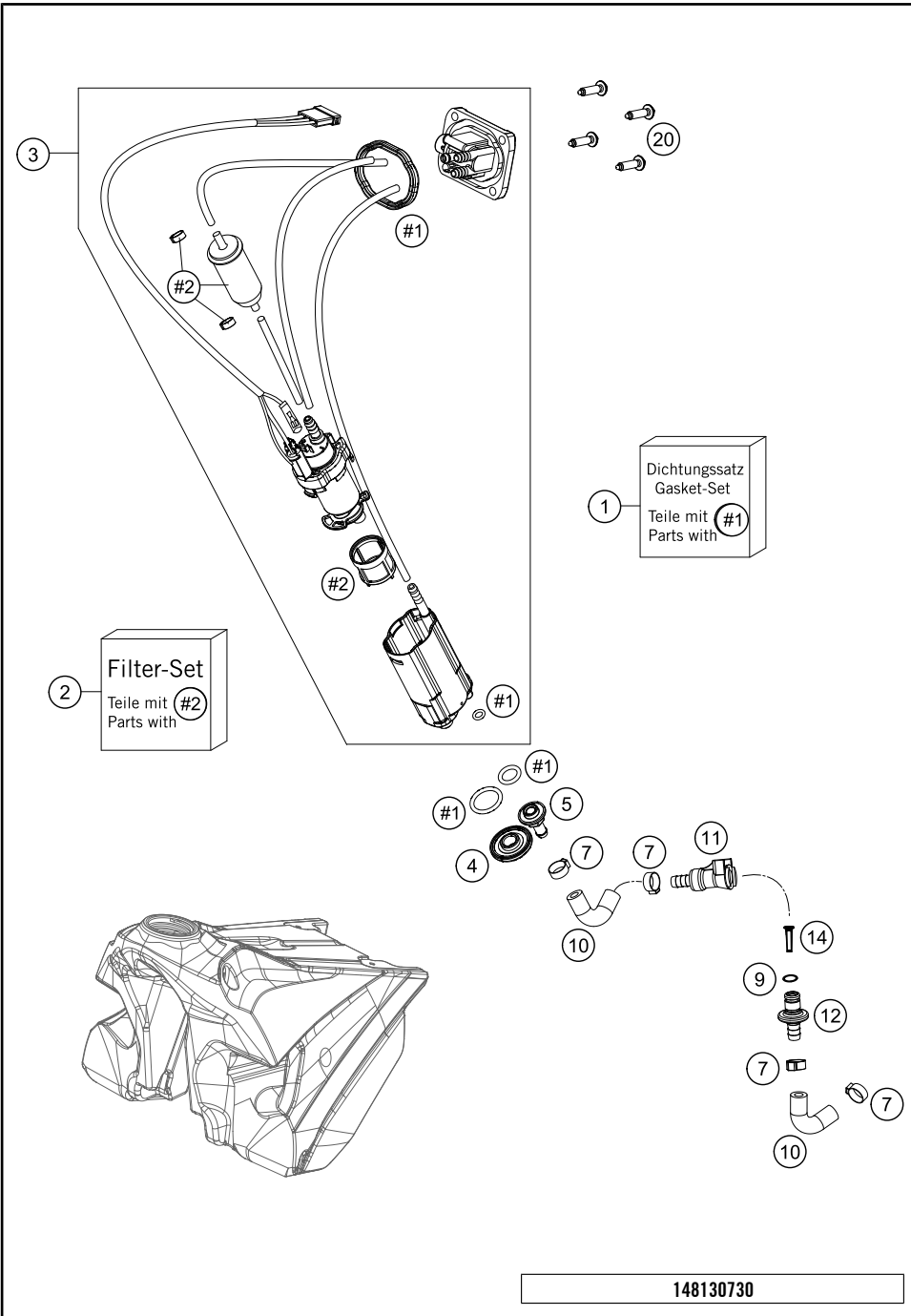
148130710

| POS | PARTNUMBER | PARTNAME | PIECE |
|-----|----------------|-----------------------------------|-------|
| 1 | 8130781304430 | FUEL TANK CPL. 7,5L BLACK | 1 |
| 2 | 50307011000 | SCREW SEAT FASTENING D=6X23/18 | 1 |
| 7 | 78007000270 | PVC-HOSE 5,6X10X270MM | 1 |
| 8 | 7770700814455 | TANK PLUG CPL. 2014 | 1 |
| 14 | 50307014000 | TANK ROLLER 12X26X12 '98 | 3 |
| 18 | 0017060206 | SCREW F. PLASTIC K60X20AL SW6 | 6 |
| 22 | 51030022000 | ANGLE PIECE 90 DEGREE M10X1 | 1 |
| 35 | 81307040000 | SEAT CPL. | 1 |
| 38 | 81307840050 | SEAT COVER | 1 |
| 50 | 8130805400028A | SPOILER SET WHITE 2014 WITH DECAL | 1 |
| 52 | 50308052000 | BUSH FOR SPOILER 6X11X16X5 MM | 2 |
| 61 | 0025060206 | HH COLLAR SCREW M6X20 TX30 | 2 |
| 62 | 0026060136 | COLLAR SCREW M6X13 ISA30 | 3 |

C148130725

* NEW PART

X ON DEMAND

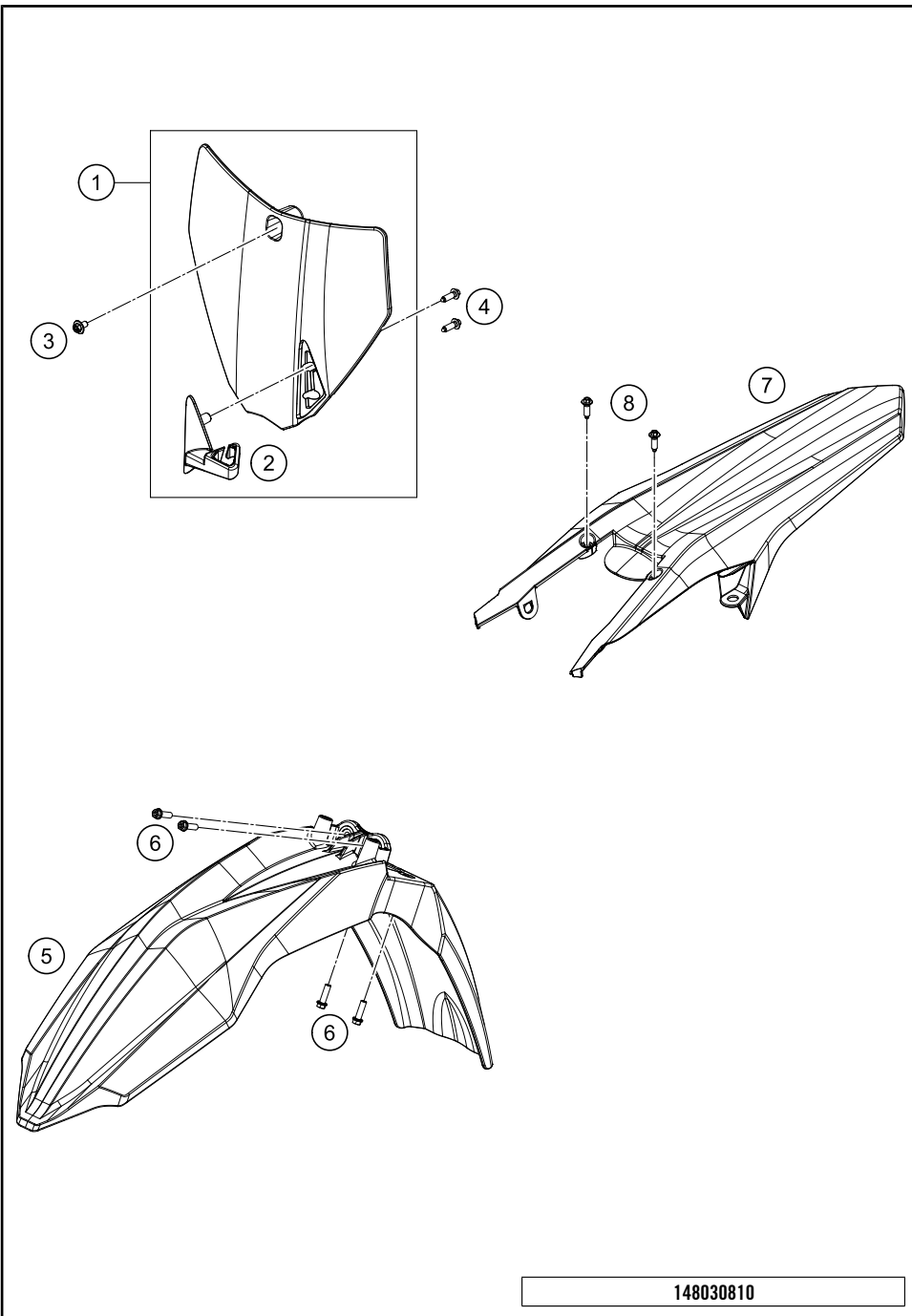


| POS | PARTNUMBER | PARTNAME | PIECE |
|-----|---------------|-------------------------------|-------|
| 1 | 78107089000 | GASKET KIT | 1 |
| 2 | 81207090000 | FILTER KIT | 1 |
| 3 | 78107088000 | FUEL PUMP CPL. EXC | 1 |
| 4 | 78107088014 | NUT F. FUEL PUMP M12 | 1 |
| 5 | 78107088017 | FUEL CONNECTOR M8 | 1 |
| 7 | 00050157706 | VARIABLE ONE-EAR CLAMP 15,7MM | 4 |
| 9 | 58507012000 | O-RING VITON F. PLUG CPC 05 | 1 |
| 10 | 77207016000 | FUEL HOSE DKK | 2 |
| 11 | 5850701050030 | CLUTCH CPC BLACK 05 | 1 |
| 12 | 77707010000 | CONNECTOR FUEL PUMP | 1 |
| 14 | 78141013190 | FUEL FILTER | 1 |
| 20 | 0017060253 | EJOT PT SCREW K60X25-Z SW=6 | 4 |

C148130730

* NEW PART

X ON DEMAND

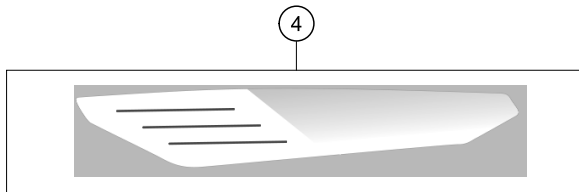
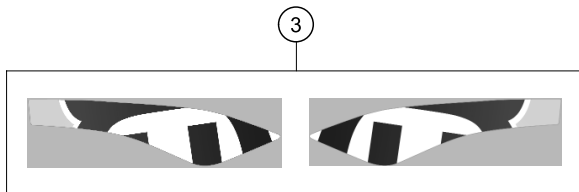
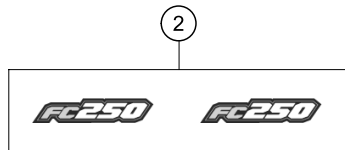
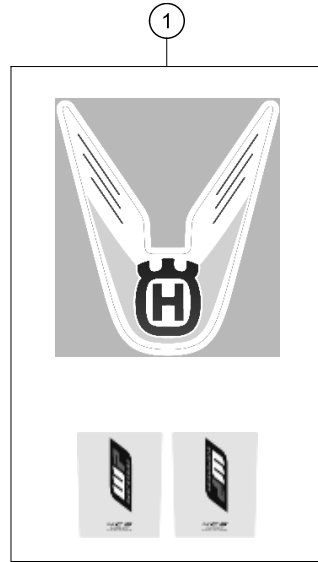


| POS | PARTNUMBER | PARTNAME | PIECE |
|-----|----------------|-------------------------------|-------|
| 1 | 8130800704428 | START NUMBER PLATE WHITE CPL. | 1 |
| 2 | 8130802200030 | BRAKE HOSE GUIDE 2014 | 1 |
| 3 | 0024060106 | HH COLLAR SCREW M6X10 TX30 | 1 |
| 4 | 0017060206 | SCREW F. PLASTIC K60X20AL SW6 | 2 |
| 5 | 8130811000028 | FRONT FENDER WHITE 2014 | 1 |
| 6 | 0025060206 | HH COLLAR SCREW M6X20 TX30 | 4 |
| 7 | 8130801310028A | REAR FENDER 2014 | 1 |
| 8 | 0017060205 | SCREW FOR PLASTIC K60X20 SW6 | 2 |

148030810

C148030810

* NEW PART X ON DEMAND



| POS | PARTNUMBER | PARTNAME | PIECE |
|-----|-------------|-----------------------------|-------|
| 1 | 80308699000 | DECAL KIT TC/FC 2014 | 1 |
| 2 | 80308697200 | DISPLACEMENT STICKER FC 250 | 1 |
| 3 | 80308592110 | STICKER KIT SPOILER | 1 |
| 4 | 80308590000 | STICKER FILTER COVER L/S | 1 |

148130845

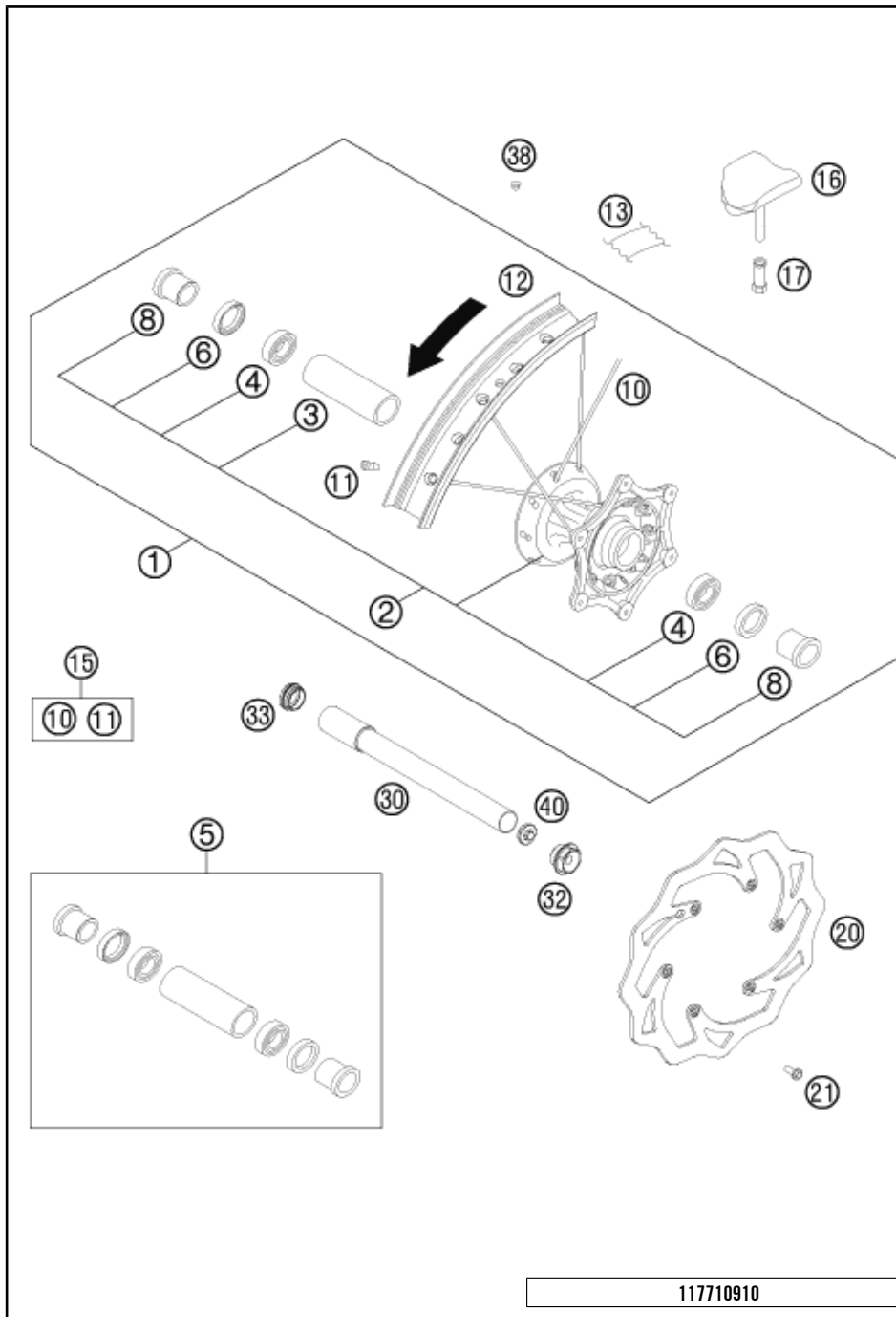
C148130845

* NEW PART

X ON DEMAND

FRONT WHEEL

FC 250 EU 2014



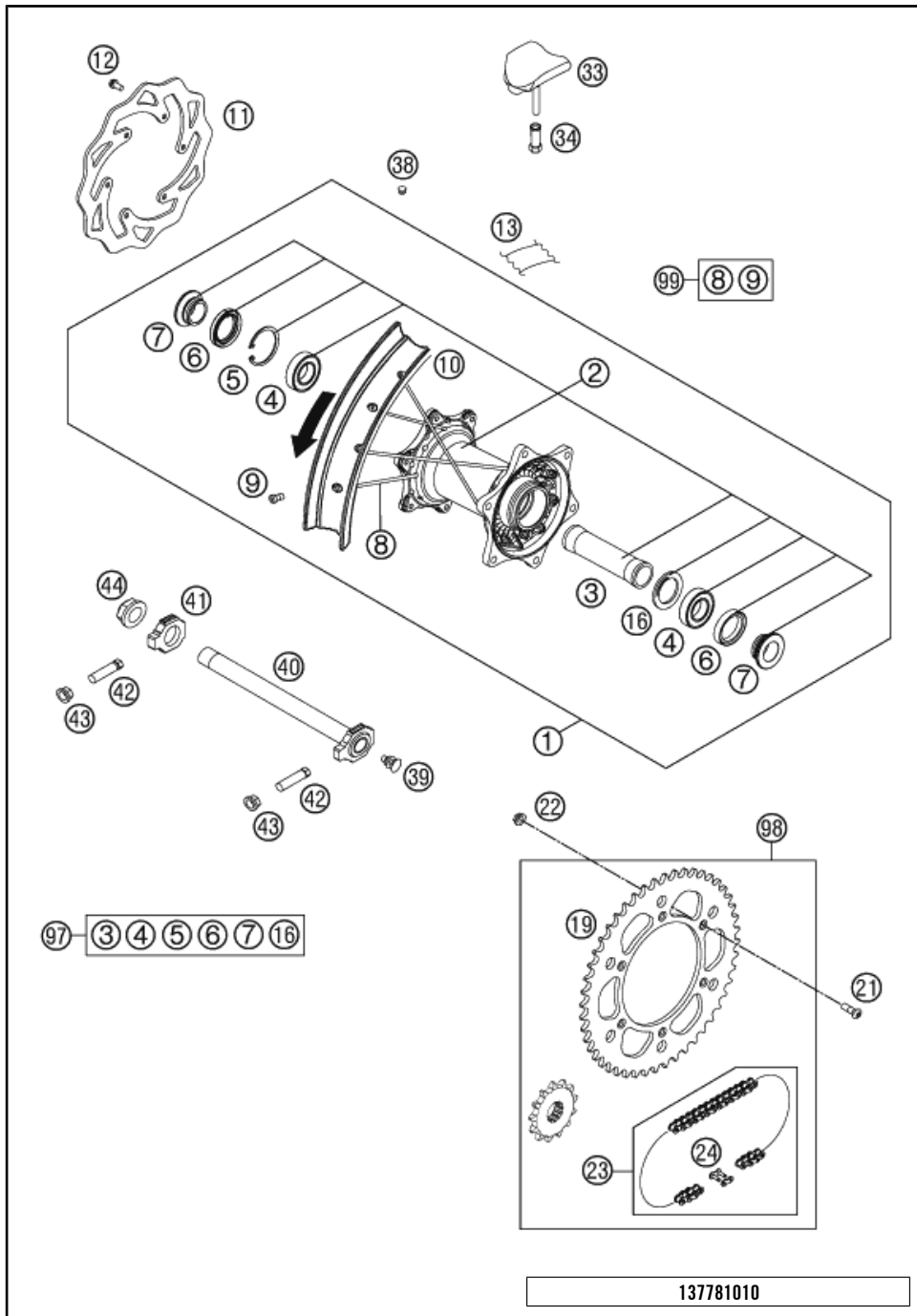
| POS | PARTNUMBER | PARTNAME | PIECE |
|-----|---------------|--------------------------------|-------|
| 1 | 8030950104430 | FRONT WHEEL CPL. 1,6X21" DID | 1 |
| 2 | 77709010044 | FRONT WHEEL HUB CPL. | 1 |
| 3 | 54809011000 | BEA.SPACERTUBE 35X2 L=79,4 03 | 1 |
| 4 | 0625069068 | GR.BALL BEAR.6906 DDU2CG23S6NM | 2 |
| 5 | 78009015000 | FRONT WHEEL REP. KIT | 1 |
| 6 | 0760354771 | SHAFT SEAL RING 35X47X7 TC | 2 |
| 8 | 78009012000 | SPACER BUSHING F. FR. WHEEL 08 | 2 |
| 10 | 77109071226 | SPOKE M4,5x226-21" 11 | 36 |
| 11 | 77109072000 | SPOKE NIPPLE M4,5 AL 11 | 36 |
| 12 | 8120907010030 | RIM FRONT 1,60X21" DID | 1 |
| 13 | 50309073000 | RIM BAND 21" | 1 |
| 15 | 00050000916 | SPOKE KIT FRONT "21" | x |
| 16 | 78109090000 | RIM LOCK 1,60" | 1 |
| 17 | 77110090050 | NUT FOR WHEEL HOLDER | 1 |
| 20 | 77309060000 | BRAKE DISC FRONT 260 | 1 |
| 21 | 59009062013 | SPECIAL SCREW M6X13 WS=8 10.9 | 6 |
| 30 | 77309081000 | WHEEL SPIN.FR. D=26 M24x1,5 07 | 1 |
| 32 | 54809082000 | SPINDLE SCREW M24X1,5 WS=27 03 | 1 |
| 33 | 54809081050 | PLUG BUSHING WS=27 03 | 1 |
| 38 | 55003135000 | PLUG FOR RIM | x |
| 40 | 54809081070 | AUXILIARY SCREW FRONT 06 | 1 |

117710910

C148030910

* NEW PART

X ON DEMAND

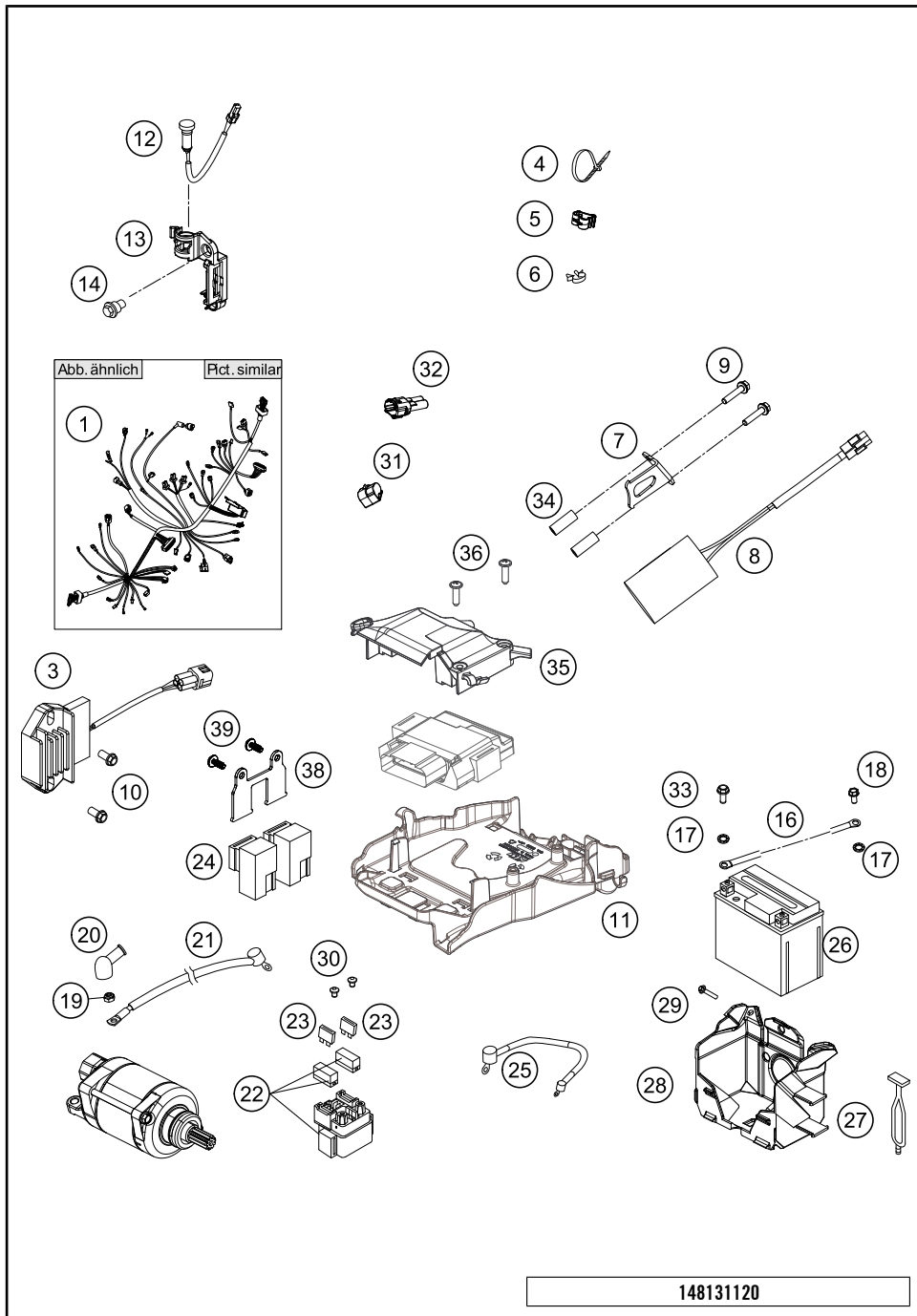


| POS | PARTNUMBER | PARTNAME | PIECE |
|-----|---------------|--------------------------------|-------|
| 1 | 8031050104430 | REAR WHEEL CPL.2,15X19"DID 14 | 1 |
| 2 | 78010010144 | REAR WHEEL HUB CPL. | 1 |
| 3 | 77710011000 | BEARING DISTANCE TUBE 121,5MM | 1 |
| 4 | 0625060058 | GR.BALL BEAR.6005 DDU2CG23S6NM | 2 |
| 5 | 0472047175 | CIRCLIP DIN0472-47X1,75 | 1 |
| 6 | 0760324771 | SHAFT SEAL RING 32X47X7 BSL | 2 |
| 7 | 78010016000 | BUSHING FOR HUB 08 | 2 |
| 8 | 77110071205 | SPOKE M4,5x205-19" 11 | 36 |
| 9 | 77109072000 | SPOKE NIPPLE M4,5 AL 11 | 36 |
| 10 | 8121017010030 | RIM 2,15X19 DID BLACK | 1 |
| 11 | 77310060000 | BRAKE DISC REAR 220 | 1 |
| 12 | 59009062013 | SPECIAL SCREW M6X13 WS=8 10.9 | 6 |
| 13 | 50310073200 | RIM BAND 18" AND 19" | 1 |
| 16 | 77710015000 | DISTANCE RING | 1 |
| 19 | 5831015104830 | SPROCKET 48-Z. BLACK | x |
| 19 | 5831015105030 | REAR SPROCKET 50-Z BLACK | 1 |
| 19 | 5831015105230 | SPROCKET 52-Z. BLACK | x |
| 21 | 0019080266S | COUNTER-SUNK SCREW ISA45 M8X26 | 6 |
| 22 | 06923080003 | HEXAGON NUT DIN EN1661 M8 SW13 | 6 |
| 23 | 50310165118 | CHAIN 5/8X1/4" MX | 1 |
| 24 | 50310166000 | CONNECTING LINK F. 50310165118 | 1 |
| 33 | 78110090000 | RIM LOCK 2,15" | 1 |
| 34 | 77110090050 | NUT FOR WHEEL HOLDER | 1 |
| 38 | 55003135000 | PLUG FOR RIM | x |
| 39 | 50210086000 | COVERING CAP SFL16 | x |
| 40 | 77310085044 | WHEEL SPINDLE RE. CPL.265MM 07 | 1 |
| 41 | 50310084000 | CHAIN TENSIONER R/S 2000 | 1 |
| 42 | 50304040100 | SCREW M10X1,25X50 WS=10 | 2 |
| 43 | 58414030000 | HH COLLAR NUT M10X1,25 WS=13 | 2 |
| 44 | 50310099000 | HEXAGON NUT M20X1,5 '98 | 1 |
| 97 | 78010015010 | | x |
| 98 | 00050002036 | DRIVETRAIN KIT HQV 13T/50T | x |
| 98 | 00050002031 | DRIVETRAIN KIT HQV 14T/50T | x |
| 99 | 00050000917 | SPOKE KIT REAR "19" | x |

137781010

C148131012

* NEW PART X ON DEMAND

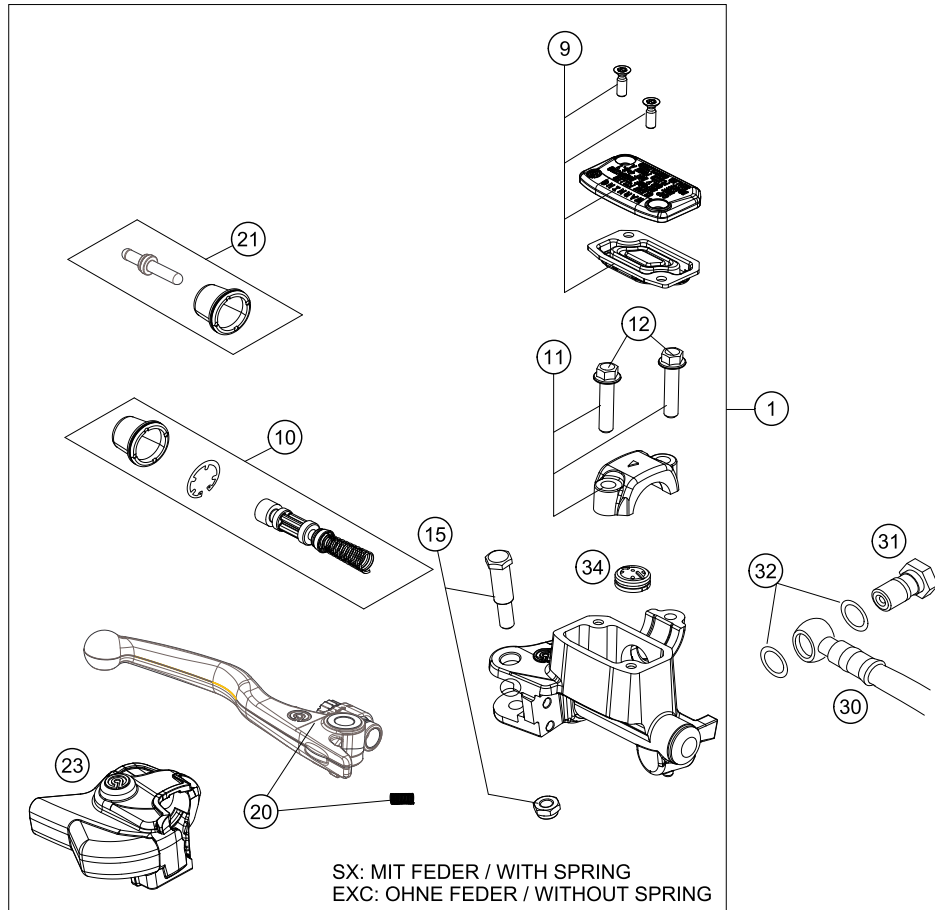


| POS | PARTNUMBER | PARTNAME | PIECE |
|-----|-------------|--------------------------------|-------|
| 1 | 77711075200 | WIRING HARNESS SX-F 2014 | 1 |
| 3 | 77211034000 | VOLTAGE REGULATOR 09 | 1 |
| 4 | 44011076140 | CABLE TIE 140/2,5MM BLACK | x |
| 4 | 44011076200 | CABLE TIE 200/3,6MM BLACK | x |
| 4 | 44011076305 | CABLE TIE 300/4,8MM BLACK | x |
| 5 | 83013026000 | CABLE GUIDE | 2 |
| 6 | 57013072100 | WIRING HOLDER 16MM | x |
| 7 | 77711036000 | RETAINING PLATE CONDENSATOR | 1 |
| 8 | 77711035000 | CONDENSATOR | 1 |
| 9 | 0025050306 | HH COLLAR SCREW M5X30 TX30 | 2 |
| 10 | 0025060206 | HH COLLAR SCREW M6X20 TX30 | 2 |
| 11 | 77711094000 | ELECTRIC BOX | 1 |
| 12 | 81214083000 | INDICATOR LIGHT LED YELLOW FI | 1 |
| 13 | 77214098000 | HOLDER INDICATOR LIGHT SX | 1 |
| 14 | 59001092050 | SPECIAL SCREW M6X12,5 WS=8 | 1 |
| 16 | 58411097100 | GROUND CABLE D=6MM L=140MM '97 | 1 |
| 17 | 58411098100 | CONTACT WASHER M6 VSV-K6 | 3 |
| 18 | 0009050106 | EJOT SPIRAL SCREW SF M5X10-K | 1 |
| 19 | 0985060003 | SELF LOCK. NUT DIN0985-M 6 | 1 |
| 20 | 77240099000 | PROTECTION CAP F. STARTER ENG. | 1 |
| 21 | 81311059000 | STARTER CABLE | 1 |
| 22 | 76211058000 | STARTER RELAY 07 | 1 |
| 23 | 58011109110 | FUSE 10 A 2000 | 2 |
| 24 | 61111057000 | RELAY CM1A-R-12V-H80 07 | 1 |
| 25 | 81311059050 | WIRING HARNESS BATTERY | 1 |
| 26 | 77311053000 | BATTERY 12V 3AH YTX4L-BS | 1 |
| 27 | 50303018000 | RUBBER L=145MM | 1 |
| 28 | 77211055000 | BATTERY BOX | 1 |
| 29* | 0017060205 | SCREW FOR PLASTIC K6X20 SW6 | 3 |
| 30 | 0902060083 | AH OVAL SCREW ISO 7380 M 6X8 | 2 |
| 31 | 77211010050 | DUMMY PLUG MAPSELECTSWITCH | 1 |
| 32 | 69011040000 | END PLUG CAN-BUS 08 | 1 |
| 33 | 0025050126 | HH COLLAR SCREW M5X12 TX30 | 2 |
| 34 | 77711036050 | BUSHING CONDENSATOR BRACKET | 2 |
| 35* | 77711094050 | ECU SPLASH PROTECT. | 1 |
| 36* | 0081645121 | EJOT DELTA PT SCREW 45X12-Z | 2 |
| 38 | 81311037000 | BRACKET POWERRELAIS | 1 |
| 39 | 0081050121 | SCREW FOR PLASTIC K50X12 T20 | 2 |

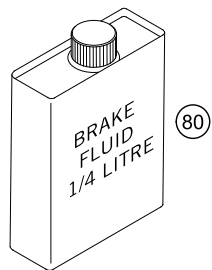
148131120

C148131123

* NEW PART X ON DEMAND



| POS | PARTNUMBER | PARTNAME | PIECE |
|-----|-------------|--|-------|
| 1 | 77713001044 | HAND BREAK CYLIND. CPL. X 2014 | 1 |
| 9 | 77713003000 | HAND BRAKE CYL. COVER | 1 |
| 10 | 77713008000 | REPAIR KIT PISTON SX 2014 | 1 |
| 11 | 54802005100 | CLAMP CPL. 06 | 1 |
| 12 | 0025060256 | HH COLLAR SCREW M6X25 TX30 | 2 |
| 15 | 77713006000 | LEVER SCREW | 1 |
| 20 | 77713002000 | HAND BRAKE LEVER +SPRING SX 14 SX WITH SPRING, EXC W/O SPR. | 1 |
| 21 | 77713007000 | PUSH ROD CPL. SX 2014 | 1 |
| 23 | 77713004000 | PROTECTION CAP HAND BRAKE CYL. | 1 |
| 30 | 59013010000 | BRAKEHO. FRONT 1235MM 2000 | 1 |
| 31 | 54813020100 | HOLLOW SCREW BLACK M10X1X19 | 1 |
| 32 | 0603100141 | COPPER GASKET DIN7603-10X14X1 | 2 |
| 34 | 54802051000 | VALVE | 1 |
| 80 | 00062030000 | BRAKE FLUID DOT5.1 0,25L | 1 |

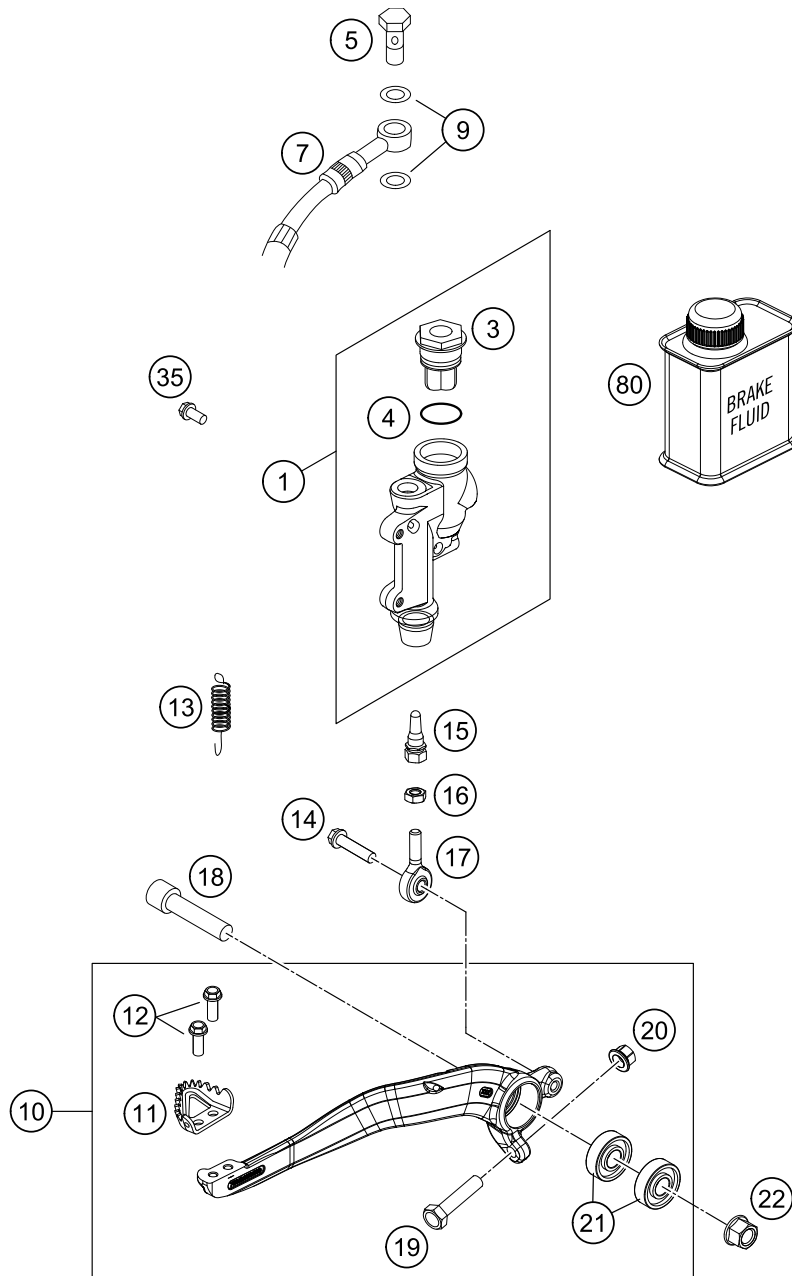


147781310

C148031310

* NEW PART

X ON DEMAND



| POS | PARTNUMBER | PARTNAME | PIECE |
|-----|-------------|-------------------------------|-------|
| 1 | 77013060044 | REAR BRAKE CYLINDER CPL.SX 09 | 1 |
| 3 | 54813062100 | REAR BRAKE CYL. COVER CPL. 04 | 1 |
| 4 | 54813063000 | FOOT-BRAKE CYL. GASKET SX 03 | 1 |
| 5 | 54813020100 | HOLLOW SCREW BLACK M10X1X19 | 1 |
| 7 | 77213070000 | BRAKE HOSE REAR XXXMM 11 | 1 |
| 9 | 0603100141 | COPPER GASKET DIN7603-10X14X1 | 2 |
| 10 | 78013050044 | FOOT BRAKE LEVER CPL. | 1 |
| 11 | 54813051000 | STEP PLATE FOR BRAKE LEVER | 1 |
| 12 | 0025050126 | HH COLLAR SCREW M5X12 TX30 | 2 |
| 13 | 54603062000 | RETURN SPRING FOR BRAKE LEVER | 1 |
| 14 | 0025060206S | HH COLLAR SCREW M6X20 TX30 | 1 |
| 15 | 54813056000 | PUSH ROD L=28MM 03 | 1 |
| 16 | 0934060003 | HEXAGON NUT DIN0934-M 6 | 1 |
| 17 | 54813055000 | SWIVEL HEAD KA6 03 | 1 |
| 18 | 0032100406S | AH-COLLAR SCREW M10X40 ISA45 | 1 |
| 19 | 59001037000 | SPECIAL SCREW M8X26 WS=10 | 1 |
| 20 | 46030045000 | COLLAR NUT M8 WS=10 | 1 |
| 21 | 0625060002 | BALL BEARING SKF 6000-2RS1 | 2 |
| 22 | 54630044000 | COLLAR NUT M10 WS=13 | 1 |
| 35 | 0025060126 | HH COLLAR SCREW M6X12 TX30 | 2 |
| 80 | 00062030000 | BRAKE FLUID DOT5.1 0,25L | 1 |

148031330

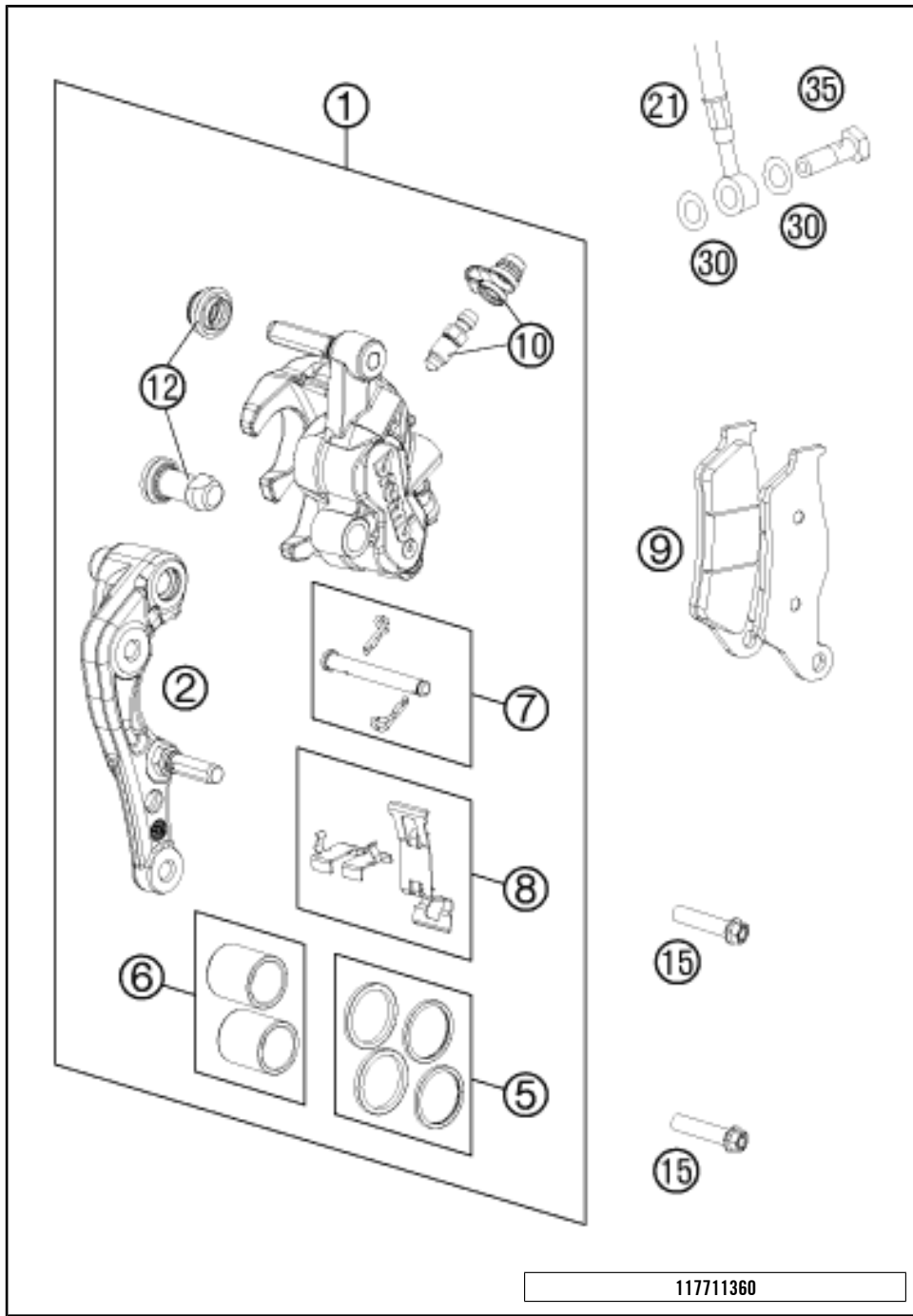
C148031330

* NEW PART

X ON DEMAND

BRAKE CALIPER FRONT

FC 250 EU 2014

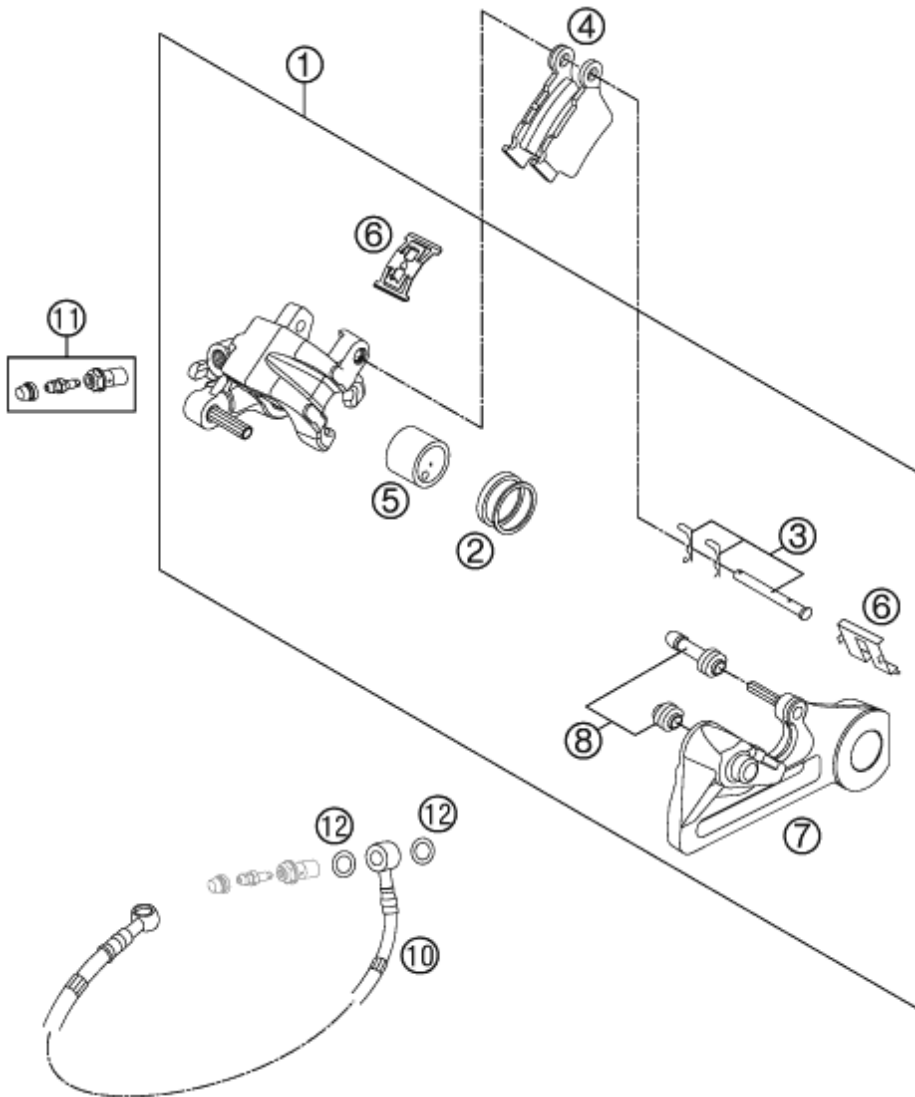


| POS | PARTNUMBER | PARTNAME | PIECE |
|-----|---------------|--------------------------------|-------|
| 1 | 7701301500101 | CALIPER NAT. WITHOUT PADS | 1 |
| 2 | 77013014000 | BRAKE CALIPER SUPPORT FRONT 09 | 1 |
| 5 | 77013021000 | REP. KIT SEALS 24MM | 1 |
| 6 | 77013019000 | REP. KIT PISTON 24MM | 1 |
| 7 | 77013017000 | BOLT CPL. 09 | 1 |
| 8 | 77013018000 | RETAINING PLATE SET BREMBO | 1 |
| 9 | 77713030000 | BRAKE PADS FRONT | 1 |
| 10 | 61013020100 | BLEEDER SCREW WITH CAP | 1 |
| 12 | 54613218000 | CUP SET SHORT | 1 |
| 15 | 0025080356S | HH COLLAR SCREW M8X35 TX40 | 2 |
| 21 | 59013010000 | BRAKEHO. FRONT 1235MM 2000 | 1 |
| 30 | 0603100141 | COPPER GASKET DIN7603-10X14X1 | 2 |
| 35 | 50213025000 | HOLLOW SCREW M10X1X19 | 1 |

117711360

C148031360

* NEW PART X ON DEMAND



| POS | PARTNUMBER | PARTNAME | PIECE |
|-----|-------------|-------------------------------|-------|
| 1 | 54813080101 | BRAKE CAL. RE. - WITHOUT PADS | 1 |
| 2 | 50313081200 | REPAIR KIT SEALING RINGS 26MM | 1 |
| 3 | 54813082000 | BOLT SET FOR BRAKE CALIPER 03 | 1 |
| 4 | 54813090300 | BRAKE PAD SET REAR TOYO | 1 |
| 5 | 77713083000 | BRAKE PISTON 26MM 2013 | 1 |
| 6 | 54813018000 | RETAINING SPRING SET 2003 | 1 |
| 7 | 54813075000 | BRAKE CALIPER SUPPORT REAR | 1 |
| 8 | 54613218000 | CUP SET SHORT | 1 |
| 10 | 77213070000 | BRAKE HOSE REAR XXXMM 11 | 1 |
| 11 | 62513020000 | BLEEDER SCREW CPL. 05 | 1 |
| 12 | 0603100141 | COPPER GASKET DIN7603-10X14X1 | 2 |

117711390

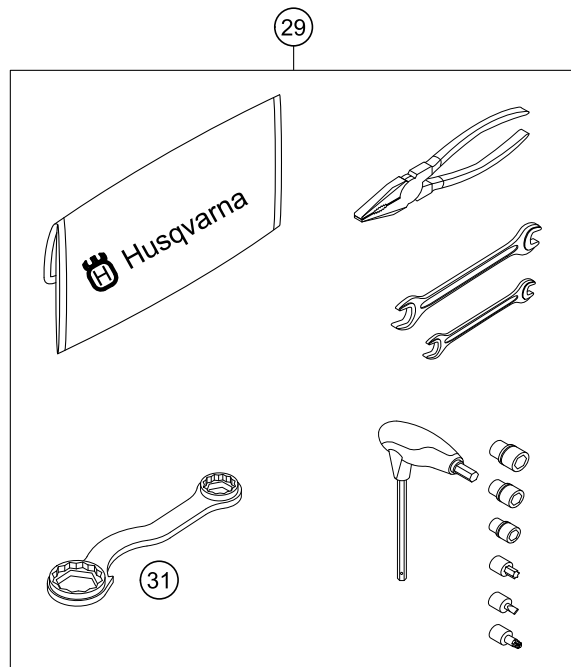
C148131391

* NEW PART

X ON DEMAND

0
OHNE ABBILDUNG
WITHOUT ILLUSTRATION

1
TECHNISCHE DOKUMENTATION
TECHNICAL DOCUMENTATION
DOCUMENTACION TECNICA
DOCUMENTATION TECHNIQUE
NOTE TECNICHE



| POS | PARTNUMBER | PARTNAME | PIECE |
|-----|---------------|-------------------------------|-------|
| 0 | HQV0110 | HUSQVARNA BALLPOINT PEN | 1 |
| 0 | 80312002000 | DOCUMENTS BAG HUSQVARNA | 1 |
| 0 | HQV0109 | HUSQVARNA NOTE-PAD | 1 |
| 0 | 00063004202 | PRINT LABEL 60X51 MM | 1 |
| 0 | 78003040033 | FOOTREST L/S + R/S CPL. 09 | 1 |
| 0 | 80302602044 | BAR PAD CPL. | 1 |
| 0 | 0025050126 | HH COLLAR SCREW M5X12 TX30 | 2 |
| 0 | 58411098100 | CONTACT WASHER M6 VSV-K6 | 2 |
| 0 | 7770207900028 | HANDGUARDS CPL. L+R WHITE | 1 |
| 0 | 77703020000 | PLUG-IN STAND | 1 |
| 0 | HQV0003GB | HUSQVARNA MR POSTER 2014 | 1 |
| 0 | HQV0004DE/GB | HUSKY POWER&STYLE FOLDER 2014 | 1 |
| 0 | 00062030019 | AIR FILTER OIL 100ML | 1 |
| 0 | 58511053000 | BATTERY 12V 4AH YTX5L-BS | 1 |
| 0 | 81212016100 | WASH CAP SET | 1 |
| 1 | 3402002EN | OWNERS MANUAL FC 250 2014 | 1 |
| 29 | 80329899000 | TOOL KIT | 1 |
| 31 | 50329080100 | WRENCH SW=17/21/27/32 B&F | 1 |

148132000

C148132026

* NEW PART

X ON DEMAND



- ⑤ Ø 5 mm
- ⑥ Ø 6 mm
- ⑧ Ø 8 mm
- ⑩ Ø 10 mm
- ⑫ Ø 12 mm
- ⑭ Ø 14-14,5 mm
- ⑯ Ø 16 mm
- ⑳ Ø 20 mm
- ㉑ Ø 21 mm
- ㉒ Ø 22 mm
- ㉓ Ø 23 mm
- ㉔ Ø 24,5 mm
- ㉘ Ø 28,5 mm
- ㉚ Ø 32 mm
- ㉜ Ø 52 mm



| POS | PARTNUMBER | PARTNAME | PIECE |
|-----|------------|---------------------|-------|
| 5 | 44906890 | WASHER 5X15X2 | X |
| 6 | 40540400 | SHIM 6X12X0,1 | X |
| 6 | 40540401 | SHIM 6X14X0,1 | X |
| 6 | 40540402 | SHIM 6X16X0,1 | X |
| 6 | 40540403 | SHIM 6X18X0,1 | X |
| 6 | 40540404 | SHIM 6X12X0,15 | X |
| 6 | 40540405 | SHIM 6X14X0,15 | X |
| 6 | 40540406 | SHIM 6X16X0,15 | X |
| 6 | 40540407 | SHIM 6X18X0,15 | X |
| 6 | 40540408 | SHIM 6X12X0,2 | X |
| 6 | 40540409 | SHIM 6X14X0,2 | X |
| 6 | 40540410 | SHIM 6X16X0,2 | X |
| 6 | 40540411 | SHIM 6X18X0,2 | X |
| 6 | 48600095 | * SHIM 6X20X0,20 | X |
| 6 | 40540412 | SHIM 6X12X0,25 | X |
| 6 | 40540413 | SHIM 6X14X0,25 | X |
| 6 | 40540414 | SHIM 6X16X0,25 | X |
| 6 | 40540415 | SHIM 6X18X0,25 | X |
| 6 | 40540417 | SHIM 6X8,5X0,10 | X |
| 6 | 40540418 | SHIM 6X9X0,10 | X |
| 6 | 40540419 | SHIM 6X9,5X0,10 | X |
| 6 | 40540423 | SHIM 6X9,5X0,15 | X |
| 6 | 40540425 | SHIM 6X8,5X0,20 | X |
| 6 | 40540426 | SHIM 6X9X0,20 | X |
| 6 | 40540427 | SHIM 6X9,5X0,20 | X |
| 6 | 40540447 | SHIM 6X10X0,3 | X |
| 6 | 40540449 | SHIM 6X9X0,3 | X |
| 6 | 40540450 | SHIM 6X9,5X0,3 | X |
| 6 | 40540494 | SHIM 6X18X0,4 | X |
| 6 | 40540774 | SHIM 6X18X0,1 DELTA | X |
| 6 | 40541383 | SHIM 6X11X0,1 | X |
| 6 | 40541391 | SHIM 6X11X0,3 | X |
| 6 | 40541402 | SHIM 6X11X0,2 | X |
| 6 | 40541403 | SHIM 6X10X0,20 | X |
| 6 | 40541404 | SHIM 6X10X0,1 | X |
| 6 | 40541405 | SHIM 6X10X0,15 | X |
| 6 | 40541406 | SHIM 6X11X0,15 | X |
| 6 | 40541408 | SHIM 6X8,0X0,30 | X |

080000190

C130009090

* NEW PART

X ON DEMAND



- ⑤ Ø 5 mm
- ⑥ Ø 6 mm
- ⑧ Ø 8 mm
- ⑩ Ø 10 mm
- ⑫ Ø 12 mm
- ⑭ Ø 14-14,5 mm
- ⑯ Ø 16 mm
- ⑳ Ø 20 mm
- ㉑ Ø 21 mm
- ㉒ Ø 22 mm
- ㉓ Ø 23 mm
- ㉔ Ø 24,5 mm
- ㉘ Ø 28,5 mm
- ㉚ Ø 32 mm
- ㉜ Ø 52 mm



| POS | PARTNUMBER | PARTNAME | PIECE |
|-----|------------|----------------------|-------|
| 6 | 40541414 | SHIM 6X8,0X0,10 | X |
| 6 | 40541416 | SHIM 6X8X0,3 | X |
| 6 | 40541417 | SHIM 6X11X0,25 | X |
| 6 | 48600102 | * SHIM 6X24X0,25 | X |
| 6 | 48600063 | SHIM 6X24X0,1 | X |
| 6 | 48600064 | SHIM 6X22X0,1 | X |
| 6 | 48600065 | SHIM 6X20X0,1 | X |
| 6 | 48600069 | SHIM 6X20X0,15 | X |
| 6 | 48600100 | SHIM 6X24X0,15 | X |
| 6 | 48600116 | SHIM 6X24X0,1 DELTA | X |
| 6 | 48600139 | SHIM 6X22X0,1 DELTA | X |
| 6 | 48600217 | BACKPLATE 6X10X0,25 | X |
| 6 | 48600325 | SHIM 6X13X0,1 | X |
| 6 | 48600327 | SHIM 6X15X0,1 | X |
| 6 | 48600329 | SHIM 6X17X0,1 | X |
| 6 | 48600331 | SHIM 6X19X0,1 | X |
| 6 | 48600096 | * SHIM 6X20X0,25 | X |
| 6 | 48600097 | SHIM 6X22X0,15 | X |
| 6 | 48600099 | * SHIM 6X22X0,25 | X |
| 6 | 40540448 | BACKPLATE 6X8,5X0,30 | X |
| 6 | 48600479 | SHIM 6X20X0,1 T/3H | X |
| 6 | 48600332 | SHIM 6X21X0,1 | X |
| 6 | 48600333 | SHIM 6X23X0,1 | X |
| 6 | 40541393 | * SHIM 6X12X0,3 | X |
| 6 | 48600330 | SHIM 6X17X0,15 | X |
| 6 | 48600988 | SHIM 6X28X0,10 | X |
| 6 | 48600989 | SHIM 6X26X0,10 | X |
| 6 | 48601091 | SHIM 6X28X0,15 | X |
| 6 | 48601093 | SHIM 6X26X0,15 | X |
| 8 | 40540477 | SHIM 8X18X0,4 | X |
| 8 | 43570120 | SHIM 8X18X0,10 | X |
| 8 | 44916098 | WASHER 8,4X16X0,8 | X |
| 8 | 44916130 | WASHER 8,2X15X1 | X |
| 8 | 44916180 | WASHER 8,2X11X1 | X |
| 8 | 48600214 | SHIM 8X16X0,1 | X |
| 8 | 48600346 | SHIM 8X11X0,2 | X |
| 8 | 48600215 | CHECK VALVE 8X20X0,1 | X |
| 8 | 48600061 | CHECK VALVE 8X24X0,4 | X |

080000190

C130009090

* NEW PART

X ON DEMAND



- ⑤ Ø 5 mm
- ⑥ Ø 6 mm
- ⑧ Ø 8 mm
- ⑩ Ø 10 mm
- ⑫ Ø 12 mm
- ⑭ Ø 14-14,5 mm
- ⑯ Ø 16 mm
- ⑳ Ø 20 mm
- ㉑ Ø 21 mm
- ㉒ Ø 22 mm
- ㉓ Ø 23 mm
- ㉔ Ø 24,5 mm
- ㉘ Ø 28,5 mm
- ㉚ Ø 32 mm
- ㉜ Ø 52 mm



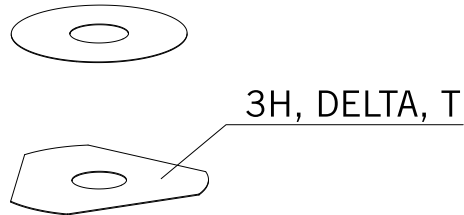
| POS | PARTNUMBER | PARTNAME | PIECE |
|-----|------------|------------------------|-------|
| 8 | 4860062 | CHECK VALVE 8X24X0,1 | X |
| 8 | 48600216 | CHECK VALVE 8X22X0,1 | X |
| 8 | 48600480 | SHIM 8X10X0,20 | X |
| 8 | 48600555 | SHIM 8X16X0,20 | X |
| 8 | 48600213 | SHIM 8X14X0,10 | X |
| 8 | 48600357 | CHECK VALVE 8X11X0,1 | X |
| 8 | 48600351 | CHECK VALVE 8X12X0,1 | X |
| 8 | 48600607 | SHUTTLE VALVE 8X20X0,4 | X |
| 8 | 48601095 | SHIM 8X17X0,10 | X |
| 10 | 36120284 | SHIM 10X16X0,10 | X |
| 10 | 36120298 | SHIM 10X16X0,2 | X |
| 10 | 36120312 | SHIM 10X16X0,30 | X |
| 10 | 36120314 | SHIM 10X18X0,30 | X |
| 10 | 36120325 | SHIM 10X19X0,15 | X |
| 10 | 36120327 | SHIM 10X23X0,15 | X |
| 10 | 36120328 | SHIM 10X25X0,15 | X |
| 10 | 36120329 | SHIM 10X27X0,15 | X |
| 10 | 36120330 | SHIM 10X29X0,15 | X |
| 10 | 36120331 | SHIM 10X31X0,15 | X |
| 10 | 36120332 | SHIM 10X33X0,15 | X |
| 10 | 36120334 | SHIM 10X21X0,20 | X |
| 10 | 36120335 | SHIM 10X23X0,20 | X |
| 10 | 36120336 | SHIM 10X25X0,20 | X |
| 10 | 36120337 | SHIM 10X27X0,20 | X |
| 10 | 36120338 | SHIM 10X29X0,20 | X |
| 10 | 36120339 | SHIM 10X31X0,20 | X |
| 10 | 36120340 | SHIM 10X33X0,20 | X |
| 10 | 36120342 | SHIM 10X21X0,25 | X |
| 10 | 36120343 | SHIM 10X23X0,25 | X |
| 10 | 36120344 | SHIM 10X25X0,25 | X |
| 10 | 36120345 | SHIM 10X27X0,25 | X |
| 10 | 36120349 | SHIM 10X19X0,30 | X |
| 10 | 36120350 | SHIM 10X21X0,30 | X |
| 10 | 40140275 | WASHER 10X35X0,15 | X |
| 10 | 36120346 | * SHIM 10X29X0,25 | X |
| 10 | 50180010 | * SHIM 16X24X0,10 | X |
| 10 | 36120604 | SHIM D10XD22X2,5 | X |
| 12 | 46810490 | SHIM 12X24X0,20 | X |

080000190

C130009090

* NEW PART

X ON DEMAND



- ⑤ Ø 5 mm
- ⑥ Ø 6 mm
- ⑧ Ø 8 mm
- ⑩ Ø 10 mm
- ⑫ Ø 12 mm
- ⑭ Ø 14-14,5 mm
- ⑯ Ø 16 mm
- ⑳ Ø 20 mm
- ㉑ Ø 21 mm
- ㉒ Ø 22 mm
- ㉓ Ø 23 mm
- ㉔ Ø 24,5 mm
- ㉘ Ø 28,5 mm
- ㉚ Ø 32 mm
- ㉜ Ø 52 mm

| POS | PARTNUMBER | PARTNAME | PIECE |
|-----|------------|----------------------|-------|
| 12 | 46810491 | SHIM 12X26X0,20 | X |
| 12 | 46810492 | SHIM 12X28X0,20 | X |
| 12 | 46810493 | SHIM 12X30X0,20 | X |
| 12 | 46810494 | SHIM 12X32X0,20 | X |
| 12 | 46810495 | SHIM 12X34X0,20 | X |
| 12 | 46810496 | SHIM 12X36X0,20 | X |
| 12 | 46810497 | SHIM 12X38X0,20 | X |
| 12 | 46810498 | SHIM 12X40X0,20 | X |
| 12 | 46810499 | SHIM 12X24X0,25 | X |
| 12 | 46810500 | SHIM 12X26X0,25 | X |
| 12 | 46810501 | SHIM 12X28X0,25 | X |
| 12 | 46810502 | SHIM 12X30X0,25 | X |
| 12 | 46810504 | SHIM 12X34X0,25 | X |
| 12 | 46810505 | SHIM 12X36X0,25 | X |
| 12 | 46810507 | SHIM 12X40X0,25 | X |
| 12 | 46810508 | SHIM 12X24X0,30 | X |
| 12 | 46810509 | SHIM 12X26X0,30 | X |
| 12 | 46810510 | SHIM 12X28X0,30 | X |
| 12 | 46810512 | SHIM 12X32X0,30 | X |
| 12 | 46810513 | SHIM 12X34X0,30 | X |
| 12 | 46810518 | SHIM 12X26X0,15 | X |
| 12 | 46810519 | SHIM 12X28X0,15 | X |
| 12 | 46810520 | SHIM 12X30X0,15 | X |
| 12 | 46810521 | SHIM 12X32X0,15 | X |
| 12 | 46810522 | SHIM 12X34X0,15 | X |
| 12 | 46810523 | SHIM 12X36X0,15 | X |
| 12 | 46810524 | SHIM 12X38X0,15 | X |
| 12 | 46810525 | SHIM 12X40X0,15 | X |
| 12 | 46810604 | SHIM 12X20X0,10 | X |
| 12 | 46810606 | SHIM 12X22X0,10 | X |
| 12 | 46810607 | SHIM 12X23X0,10 | X |
| 12 | 46810608 | SHIM 12X24X0,10 | X |
| 12 | 46810610 | SHIM 12X27X0,15 | X |
| 12 | 46810611 | SHIM 12X18X0,15 | X |
| 12 | 46810612 | SHIM 12X19X0,15 | X |
| 12 | 46810615 | SHIM 12X22X0,15 | X |
| 12 | 46810636 | BACKPLATE 12X16X0,30 | X |
| 12 | 46810637 | BACKPLATE 12X17X0,30 | X |

080000190

C130009090

* NEW PART

X ON DEMAND



3H, DELTA, T

- ⑤ Ø 5 mm
- ⑥ Ø 6 mm
- ⑧ Ø 8 mm
- ⑩ Ø 10 mm
- ⑫ Ø 12 mm
- ⑭ Ø 14-14,5 mm
- ⑯ Ø 16 mm
- ⑳ Ø 20 mm
- ㉑ Ø 21 mm
- ㉒ Ø 22 mm
- ㉓ Ø 23 mm
- ㉔ Ø 24,5 mm
- ㉘ Ø 28,5 mm
- ㉚ Ø 32 mm
- ㉜ Ø 52 mm

| POS | PARTNUMBER | PARTNAME | PIECE |
|-----|------------|----------------------|-------|
| 12 | 46810638 | BACKPLATE 12X18X0,30 | X |
| 12 | 46810639 | SHIM 12X19X0,30 | X |
| 12 | 46810641 | BACKPLATE 12X21X0,30 | X |
| 12 | 46811582 | BACKPLATE 12X30X0,10 | X |
| 12 | 46810631 | SHIM 12X20X0,25 | X |
| 12 | 46810633 | SHIM 12X22X0,25 | X |
| 12 | 46811580 | SHIM 12X32X0,10 | X |
| 12 | 46810503 | SHIM 12X32X0,25 | X |
| 12 | 46810517 | * SHIM 12X24X0,15 | X |
| 12 | 46810640 | SHIM 12X20X0,30 | X |
| 12 | 46811258 | RING 12X24X2,5 | X |
| 14 | 46811046 | SHIM 14,5X35,4X1,25 | X |
| 16 | 50180023 | * SHIM 16X23X0,20 | X |
| 16 | 50180030 | SHIM | X |
| 16 | 50180006 | BACKPLATE 16X20X0,10 | X |
| 16 | 50180007 | SHIM 16X21X0,10 | X |
| 16 | 50180028 | SHIM 16X21X0,25 | X |
| 16 | 50180210 | WASHER 16X21X1 | X |
| 16 | 50180008 | SHIM 16X22X0,10 | X |
| 16 | 50180022 | SHIM 16X22X0,20 | X |
| 16 | 50180037 | SHIM 16X23X0,30 | X |
| 16 | 50180038 | SHIM 16X24X0,30 | X |
| 16 | 50180032 | SHIM 15X25X0,25 | X |
| 16 | 50180039 | SHIM 16X25X0,30 | X |
| 16 | 50180012 | SHIM 16X26X0,10 | X |
| 16 | 50180019 | SHIM 16X26X0,15 | X |
| 16 | 50180026 | SHIM 16X26X0,20 | X |
| 16 | 50180040 | SHIM 16X26X0,30 | X |
| 16 | 50180041 | SHIM 16X28X0,10 | X |
| 16 | 50180045 | SHIM 16X28X0,15 | X |
| 16 | 50180054 | SHIM 16X28X0,20 | X |
| 16 | 50180063 | SHIM 16X28X0,25 | X |
| 16 | 50180072 | SHIM 16X28X0,30 | X |
| 16 | 50180046 | SHIM 16X30X0,15 | X |
| 16 | 50180055 | SHIM 16X30X0,20 | X |
| 16 | 50180064 | SHIM 16X30X0,25 | X |
| 16 | 50180073 | SHIM 16X30X0,30 | X |
| 16 | 50180047 | SHIM 16X32X0,15 | X |

080000190

C130009090

* NEW PART

X ON DEMAND



- ⑤ Ø 5 mm
- ⑥ Ø 6 mm
- ⑧ Ø 8 mm
- ⑩ Ø 10 mm
- ⑫ Ø 12 mm
- ⑭ Ø 14-14,5 mm
- ⑯ Ø 16 mm
- ⑳ Ø 20 mm
- ㉑ Ø 21 mm
- ㉒ Ø 22 mm
- ㉓ Ø 23 mm
- ㉔ Ø 24,5 mm
- ㉘ Ø 28,5 mm
- ㉚ Ø 32 mm
- ㉜ Ø 52 mm



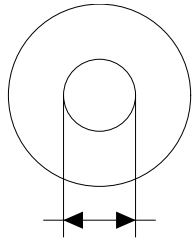
| POS | PARTNUMBER | PARTNAME | PIECE |
|-----|------------|-----------------------------|-------|
| 16 | 50180056 | SHIM 16X32X0,20 | X |
| 16 | 50180065 | SHIM 16X32X0,25 | X |
| 16 | 50180074 | SHIM 16X32X0,30 | X |
| 16 | 50180044 | SHIM 16X34X0,10 | X |
| 16 | 50180048 | SHIM 16X34X0,15 | X |
| 16 | 50180057 | SHIM 16X34X0,20 | X |
| 16 | 50180066 | SHIM 16X34X0,25 | X |
| 16 | 50180075 | SHIM 16X34X0,30 | X |
| 16 | 50180049 | SHIM 16X36X0,15 | X |
| 16 | 50180058 | SHIM 16X36X0,20 | X |
| 16 | 50180067 | SHIM 16X36X0,25 | X |
| 16 | 50180076 | SHIM 16X36X0,30 | X |
| 16 | 50180050 | SHIM 16X38X0,15 | X |
| 16 | 50180059 | SHIM 16X38X0,20 | X |
| 16 | 50180068 | SHIM 16X38X0,25 | X |
| 16 | 50180077 | SHIM 16X38X0,30 | X |
| 16 | 50180051 | SHIM 16X40X0,15 | X |
| 16 | 50180060 | SHIM 16X40X0,20 | X |
| 16 | 50180069 | SHIM 16X40X0,25 | X |
| 16 | 50180078 | SHIM 16X40X0,30 | X |
| 16 | 50180052 | SHIM 16X42X0,15 | X |
| 16 | 50180061 | SHIM 16X42X0,20 | X |
| 16 | 50180070 | SHIM 16X42X0,25 | X |
| 16 | 50180079 | SHIM 16X42X0,30 | X |
| 16 | 50180053 | SHIM 16X44X0,15 | X |
| 16 | 50180062 | SHIM 16X44X0,20 | X |
| 16 | 50180071 | SHIM 16X44X0,25 | X |
| 16 | 50180080 | SHIM 16X44X0,30 | X |
| 16 | 50180177 | WASHER 16X8,2X0,6 | X |
| 16 | 50180033 | SHIM 16X26X0,25 | X |
| 16 | 50180034 | BACKPLATE 16X20X0,30 | X |
| 16 | 50180035 | BACKPLATE 16X21X0,30 | X |
| 16 | 50180036 | BACKPLATE 16X22X0,30 | X |
| 16 | 50180043 | SHIM | X |
| 16 | 50180024 | * SHIM 16X24X0,20 | X |
| 16 | 50180027 | * SHIM 16X20X0,25 | X |
| 16 | 50180031 | SHIM | X |
| 20 | 48600212 | PRESSURE-RING 20X16,25X0,20 | X |

080000190

C130009090

* NEW PART

X ON DEMAND



- ⑤ Ø 5 mm
- ⑥ Ø 6 mm
- ⑧ Ø 8 mm
- ⑩ Ø 10 mm
- ⑫ Ø 12 mm
- ⑭ Ø 14-14,5 mm
- ⑯ Ø 16 mm
- ⑳ Ø 20 mm
- ㉑ Ø 21 mm
- ㉒ Ø 22 mm
- ㉓ Ø 23 mm
- ㉔ Ø 24,5 mm
- ㉘ Ø 28,5 mm
- ㉚ Ø 32 mm
- ㉜ Ø 52 mm



| POS | PARTNUMBER | PARTNAME | PIECE |
|-----|------------|--------------------------|-------|
| 20 | 50180666 | SHIM 20X24X0,30 | X |
| 20 | 50180654 | SHIM 20X36X0,20 | X |
| 20 | 50180655 | SHIM 20X38X0,20 | X |
| 20 | 50180656 | SHIM 20X40X0,20 | X |
| 20 | 50180665 | SHIM 20X40X0,25 | X |
| 20 | 50180662 | SHIM 20X34X0,25 | X |
| 20 | 50180657 | SHIM 20X24X0,25 | X |
| 20 | 50180653 | SHIM 20X34X0,20 | X |
| 20 | 50180634 | RING 20X22,9X1 | X |
| 20 | 50180650 | SHIM 20,2X28X0,20 | X |
| 20 | 50180663 | SHIM 20X36X0,25 | X |
| 20 | 50180664 | SHIM 20X38X0,25 | X |
| 20 | 50180659 | SHIM 20,2X28X0,25 | X |
| 21 | 50180209 | WASHER 21X36X0,25 | X |
| 22 | 50180330 | * PRESS. RING 22X18X0,30 | X |
| 23 | 50180635 | SHUTTLE VALVE 23X38X0,25 | X |
| 23 | 50180578 | SHIM D23XD16X2 | X |
| 24 | 40541061 | WASHER 24,5X34X2 | X |
| 28 | 36120469 | SHIM 28,5X14X2 | X |
| 28 | 36120471 | SHIM 28,5X14X5 | X |
| 32 | 48600460 | WASHER 32X42X2,5 | X |
| 32 | 50600065 | SHIM 32X45X2 | X |
| 32 | 46811637 | PRESSURE RING 36X32,25 | X |
| 52 | 50600002 | SHIM 52X59X2,2 | X |

080000190

C130009090

* NEW PART

X ON DEMAND

A large, empty rectangular box with a thin black border, occupying most of the page. It is intended for the user to write their notes.

A large, empty rectangular box with a thin black border, occupying the majority of the page. It is intended for the user to write their notes.



3CFF2101N1EN



Husqvarna Motorcycles GmbH
Stallhofnerstraße 3 | 5230 Mattighofen | Austria
www.husqvarna-motorcycles.com



THE PIONEERS OF MOTOCROSS