

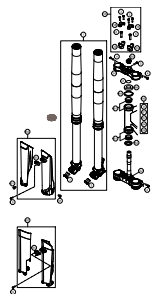
SPAREPARTSCATALOG

CHASSIS

ART.-NR.: 3CFF210100EN

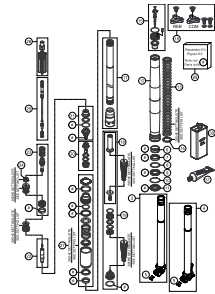
TC 125 EU 2015

FRONT FORK, TRIPLE CLAMP



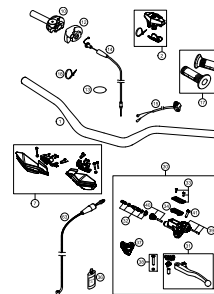
3

FRONT FORK DISASSEMBLED



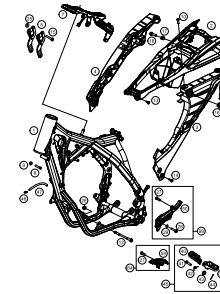
4

HANDLEBAR, CONTROLS



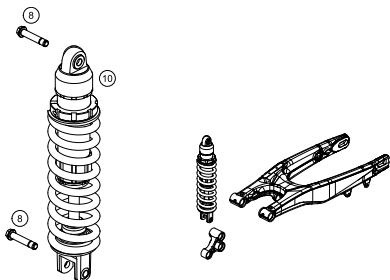
5

FRAME



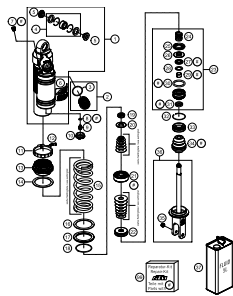
6

SHOCK ABSORBER



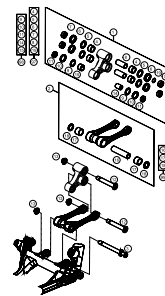
7

SHOCK ABSORBER DISASSEMBLED



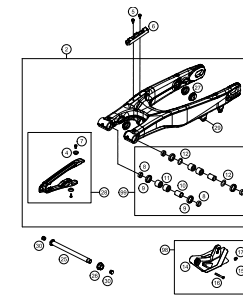
8

PRO LEVER LINKING



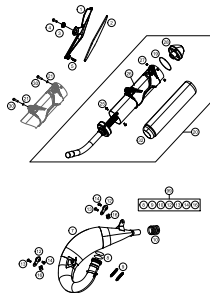
10

SWING ARM



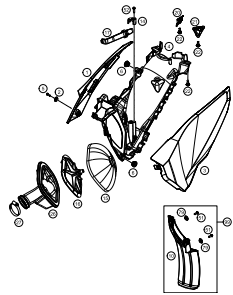
11

EXHAUST SYSTEM



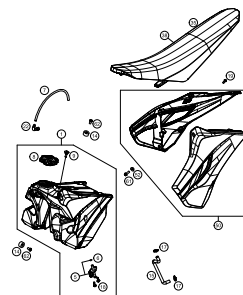
12

AIR FILTER



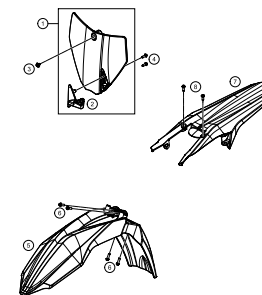
13

TANK, SEAT, COVER



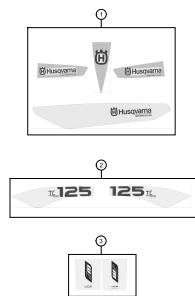
14

MASK, FENDERS



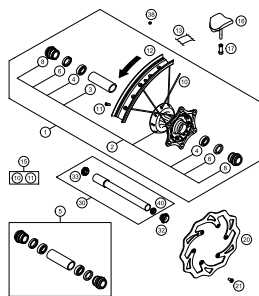
15

DECAL



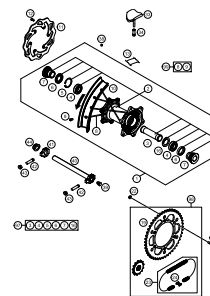
16

FRONT WHEEL



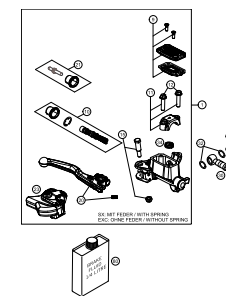
17

REAR WHEEL



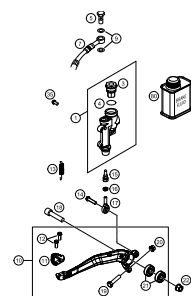
18

HAND BRAKE CYLINDER



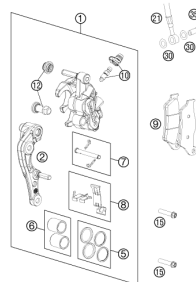
19

REAR BRAKE CONTROL



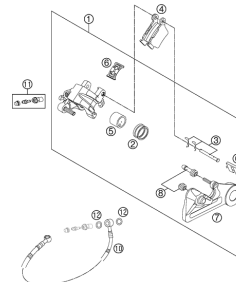
20

BRAKE CALIPER FRONT



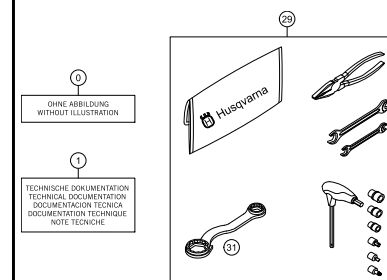
21

BRAKE CALIPER REAR



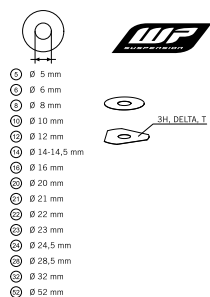
22

ACCESSORIES KIT



23

WP SHIMS FOR SETTING

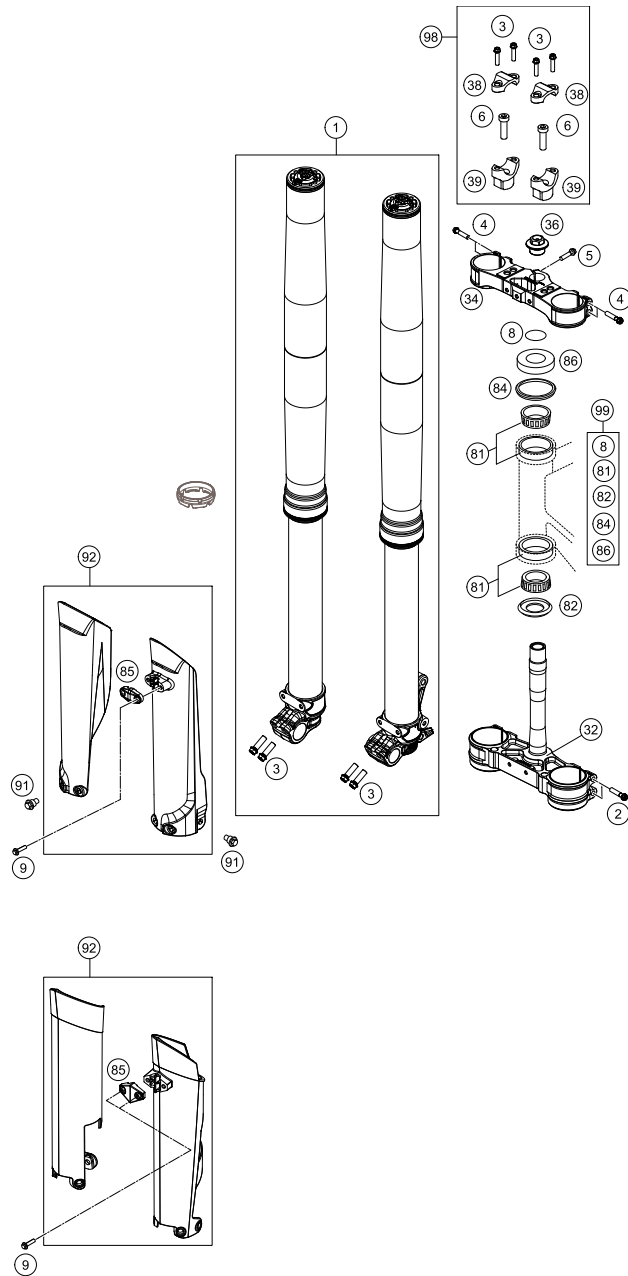


24



All information contained is without obligation. HUSQVARNA MOTORCYCLES GmbH particularly reserves the right to modify any equipment, technical specifications, prices, colors, shapes, materials, services, service work, constructions, equipment and the like so as to adapt them to local conditions or to cancel any of the above items, all without previous announcement and without giving reasons. KTM may stop manufacturing certain models without previous notice. HUSQVARNA MOTORCYCLES shall not be held liable for any deviations of availability and/or ability to deliver, illustrations, descriptions, printing and/or other errors. The illustrated models partly contain extra equipment, which is not applied to standard models.

© by HUSQVARNA MOTORCYCLES GmbH, Mattighofen AUSTRIA; All rights reserved; Reprint, also in extracts, with written allowance of HUSQVARNA MOTORCYCLES GmbH, Mattighofen only.



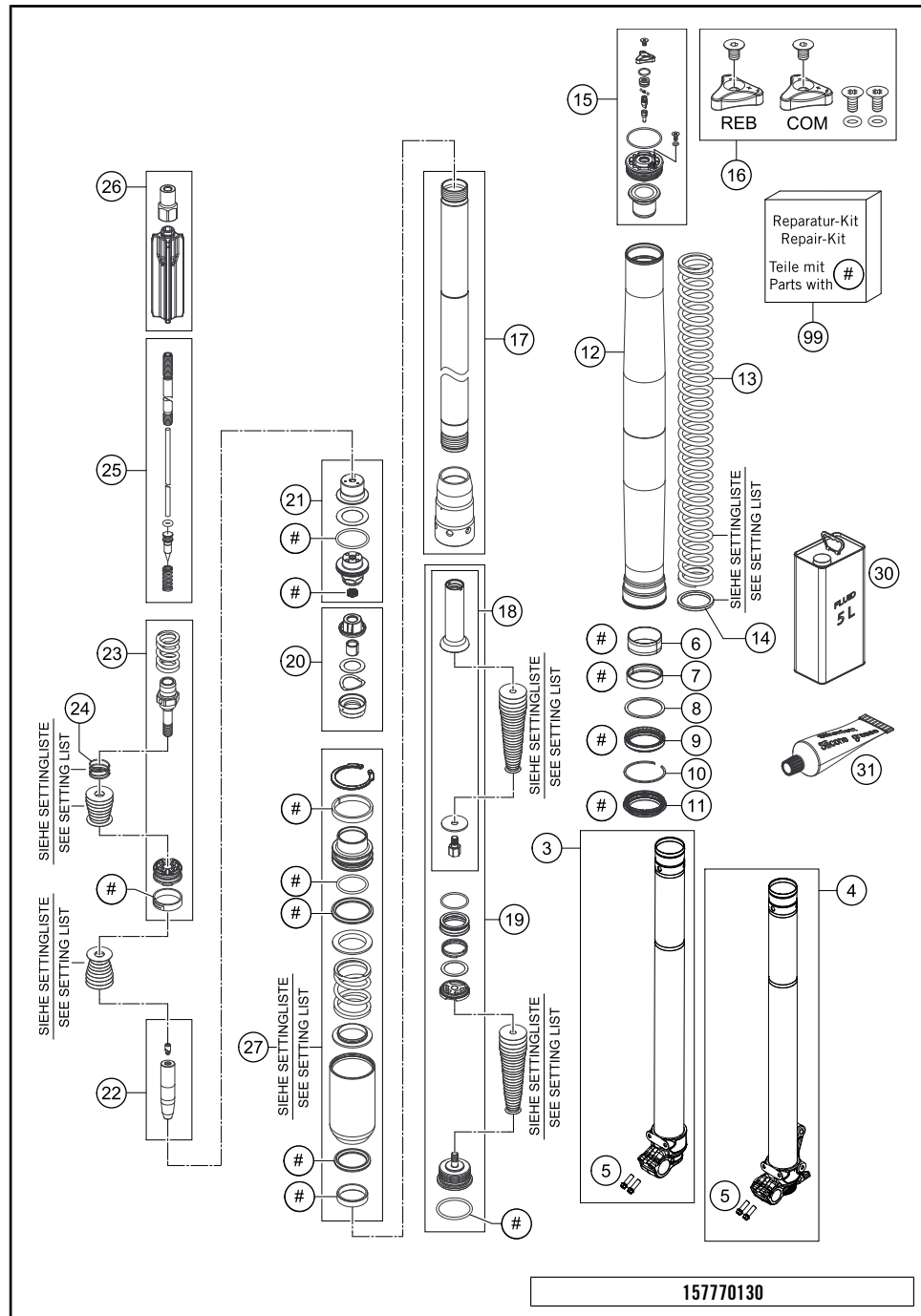
| POS | PARTNUMBER | PARTNAME | PIECE |
|-----|---------------|--------------------------------|-------|
| 1* | 2418705101 | FORK 125/150 SX US / TC125 15 | 1 |
| 2 | 0025080506 | HH COLLAR SCREW M8X50 TX40 | 4 |
| 3 | 0025080256 | HH COLLAR SCREW M8X25 TX40 | 8 |
| 4 | 0025080406 | HH COLLAR SCREW M8X40 TX40 | 4 |
| 5 | 0025080256S | HH COLLAR SCREW M8X25 TX40 | 1 |
| 6 | 0032100356S | AH-COLLAR SCREW M10X35 ISA45 | 2 |
| 8 | 0770025035 | O-RING 25X3,55 NBR70 05 | 1 |
| 9 | 0017060206 | SCREW F. PLASTIC K60X20AL SW6 | 2 |
| 32 | 7770103202230 | TRIPLE CL. BOTT. CPL. X=22 BL. | 1 |
| 34 | 7770103402230 | % TRIPLE CLAMP TOP X=22 BLACK | 1 |
| 36* | 70009082000 | AXLESCREW M20X1.5; SW17 | 1 |
| 38 | 77201038000 | HANDLEBAR CLAMP 28MM | 2 |
| 39 | 59401039032 | HANDLEB.SUPP. D=28MM H=32MM 05 | x |
| 39 | 59401039037 | HANDLEB.SUPP. D=28MM H=37MM 05 | 2 |
| 39 | 59401039042 | HANDLEB.SUPP. D=28MM H=42MM 05 | x |
| 81 | 54201081100 | TAPERED ROLLER BEARING CPL. 06 | 2 |
| 82 | 77701084000 | O-RING SUPPORT W. SEALING LIP | 1 |
| 84 | 54601184000 | STEERING HEAD GASKET TOP | 1 |
| 85* | 77701085000DA | CLAMP BRAKE HOSE | 1 |
| 86 | 78101086000 | STEERING HEAD COVER | 1 |
| 91 | 59001092050 | SPECIAL SCREW M6X12,5 WS=8 | 6 |
| 92* | 77701094000DA | FORK PROTECTION L/S+R/S | 1 |
| 98 | 00050000921 | HANDLEBAR SUPPORT KIT D28/H37 | x |
| 99 | 00050000930 | STEERING HEAD REP. KIT 06-15 | x |

155030110

C158030110

* NEW PART

X ON DEMAND



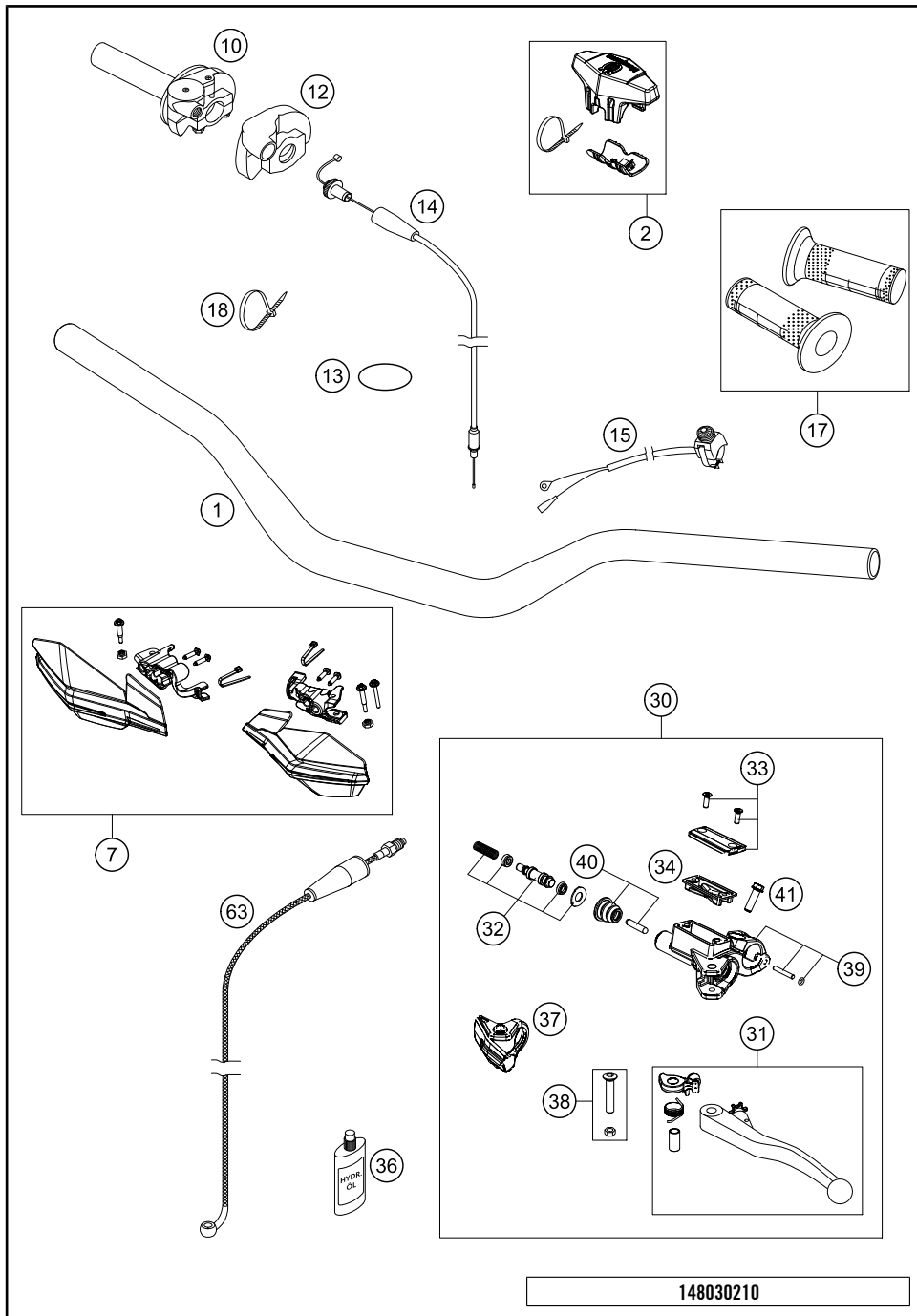
| POS | PARTNUMBER | PARTNAME | PIECE |
|-----|------------|--------------------------------|-------|
| 3 | 48601327S1 | AXLE CLAMP R/S WITH INNER TUBE | 1 |
| 4 | 48601326S1 | AXLE CLAMP L/S WITH INNER TUBE | 1 |
| 5 | 0025080256 | HH COLLAR SCREW M8X25 TX40 | 4 |
| 6 | 48601008 | GUIDING BUSH 47X49X20 R11 | 2 |
| 7 | 48601009 | GUIDING BUSH 48X52X12 R11 | 2 |
| 8 | 48600013 | SUPPORT RING 50 X 57,6 X 1,5 | 2 |
| 9 | 48601179 | OIL SEALRING D48X57,9X11,4 RED | 2 |
| 10 | 48600070 | LOCK WASHER SB58 | 2 |
| 11 | 48601178 | DUST SEAL DL48X58,4X5,7 RED | 2 |
| 12 | 48600736 | OUTER TUBE L577 D54/60MM 2L | 2 |
| 13 | 91410100S | SPRING 4,0N/MM SET D=4,9MM | x |
| 13 | 91410101S | SPRING 4,2N/MM SET D=4,9MM | x |
| 13 | 91410102S | SPRING 4,4N/MM SET D=4,9MM | x |
| 13 | 91410103S | SPRING 4,6N/MM SET D=4,9MM | x |
| 13 | 91410104S | SPRING 4,8N/MM SET D=4,9MM | x |
| 13 | 91410105S | SPRING 5,0N/MM SET D=4,9MM | x |
| 14 | 48600456 | SPACER 43X35X2,5 | x |
| 14 | 48600458 | SPACER 43X35X1,5 | x |
| 15 | 48601116E | SCREW CAP M51X1,5 CPL. | 1 |
| 15 | 48601050S | SCREW CAP M51X1,5 REB. KPL. | 1 |
| 16 | R14033 | SCREW CAP SMALL PART KIT | 1 |
| 17 | 48601031S | CARTRIDGE KIT | 2 |
| 18 | R14044 | HYDROSTOP KIT | 2 |
| 19 | 48601403S | BASE VALVE KIT | 2 |
| 20 | 48601025S1 | CHECK VALVE D21 CPL. | 2 |
| 21 | R14035 | SCREW SLEEVE KIT | 2 |
| 22 | 48601123S | NEEDLE KIT | 2 |
| 23 | R14045 | TAP KIT | 2 |
| 24 | 48600382 | SHUTTLE VALVE SPRING C=0,4 | 2 |
| 25 | 48601343S | PISTON ROD CPL. | 2 |
| 26 | 48601035S1 | SPRING GUIDE CPL. | 2 |
| 27 | 48601315S1 | PRESSURE TANK FOR 24187073 CPL | x |
| 27 | 48601315S2 | PRESSURE TANK FOR 24187051 CPL | x |
| 27 | 48601315S3 | PRESSURE TANK FOR 24187057 CPL | x |
| 30 | 48601166S1 | FORK OIL SAE4 5L | 1 |
| 31 | T511 | SILICONE GREASE F. DUST STRI | 1 |
| 99 | R24001 | REPAIR - KIT | x |

157770130

C157770130

* NEW PART

X ON DEMAND



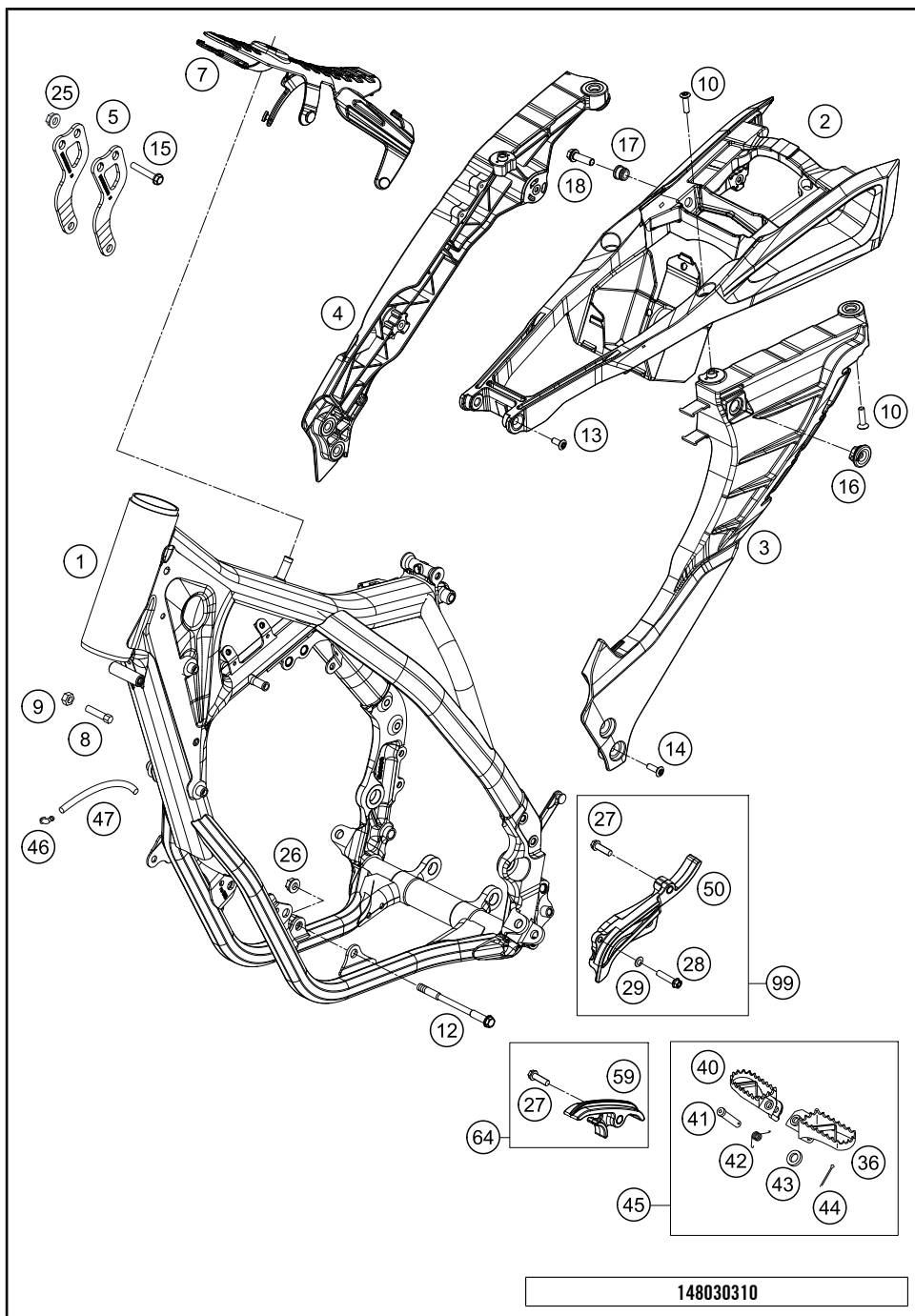
| POS | PARTNUMBER | PARTNAME | PIECE |
|-----|---------------|--------------------------------|-------|
| 1* | 7770200110030 | HANDLEBAR BLACK | 1 |
| 2* | 80302602144 | BAR PAD 2015 | 1 |
| 7 | 7770217900028 | HAND GUARDS CPL. L/S+R/S WHITE | 1 |
| 10 | 51502010200 | THROTTLE GRIP CPL. 2ST. 13 | 1 |
| 12 | 50302020000 | PROTECTION COVER '97 | 1 |
| 13* | 0770049025 | O-RING 49,00X2,50 NBR | 1 |
| 14* | 51502091200 | THROTTLE CABLE 2-ST. 2014 | 1 |
| 15 | 50311089200 | SHORT CIRCUIT BUTTON 02 | 1 |
| 17 | 80302021000 | GRIP SET BLACK/WHITE | 1 |
| 18 | 44011076200 | CABLE TIE 200/3,6MM BLACK | 1 |
| 30 | 50302030300 | MASTER CYLINDER CPL. 9,5MM 09 | 1 |
| 31 | 50302031300 | CLUTCH LEVER CPL. 2009 | 1 |
| 32 | 50302032100 | REP.KIT PISTON 9,5MM 09 | 1 |
| 33 | 50302033200 | COVER HYDR. CLUTCH CPL. 09 | 1 |
| 34 | 50302034100 | RUBBER FOR RESERVOIR 09 | 1 |
| 36 | 50302036200 | OIL FOR HYD. CLUTCH 100 ML | 1 |
| 37 | 76502037000 | PROTECT.CAP FOR LEVER PERCH 13 | 1 |
| 38 | 50302038200 | LEVER SCREW SHORT CPL. 09 | 1 |
| 39 | 83013005000 | CLAMP, CYL. PIN, O-RING | 1 |
| 40 | 50302046000 | PUSH ROD CPL. 09 | 1 |
| 41 | 0025060166 | HH COLLAR SCREW M6X16 TX30 | 1 |
| 63 | 50332063200 | CLUTCH PIPE L=970MM 04 | 1 |

148030210

C158030210

* NEW PART

X ON DEMAND



| POS | PARTNUMBER | PARTNAME | PIECE |
|-----|---------------|--------------------------------|-------|
| 1 | 8030350100028 | FRAME 125 TC 2014 | 1 |
| 2 | 8130300211030 | SUB FRAME UPPER PART CPL. 14 | 1 |
| 3* | 8130300222030 | SUB FRAME L/S cpl. | 1 |
| 4 | 8130300213030 | SUB FRAME R/S CPL. 2014 | 1 |
| 5 | 51503113000 | ENGINE BRACE 125 SX | 2 |
| 7 | 77207012000 | TANK REST RUBBER | 1 |
| 8 | 59001037000 | SPECIAL SCREW M8X26 WS=10 | 2 |
| 9 | 0934080003 | HEXAGON NUT DIN0934-M 8 | 2 |
| 10 | 0019080306S | COUNTER-SUNK SCREW ISA45 M8X30 | 4 |
| 12 | 54603013000 | ENGINE BRAC.SCR. M10X105 WS=13 | 2 |
| 13 | 0035080306S | AH-COLLAR SCREW M8X30 ISA45 | 2 |
| 14 | 0035080206S | AH-COLLAR SCREW M8X20 ISA45 | 4 |
| 15 | 56530079000S | HH COLLAR SCREW M8X44 WS13 | 2 |
| 16 | 47106003160 | QUICK CONNECTOR CLUTCH | 3 |
| 17 | 81303002011 | SPACER BUSHING 12X9X6,2 | 2 |
| 18 | 0025060206 | HH COLLAR SCREW M6X20 TX30 | 2 |
| 25 | 06923080003 | HEXAGON NUT DIN EN1661 M8 SW13 | 2 |
| 26 | 54310086100 | SELF LOCKING NUT M10 CU WS=14 | 2 |
| 27 | 0025080306 | HH COLLAR SCREW M8X30 TX40 | 2 |
| 28 | 0025060406 | HH COLLAR SCREW M6X40 TX30 | 1 |
| 29 | 0125060003 | WASHER DIN0125-A 6,4 | 1 |
| 36 | 78003040050 | FOOTREST L/S 08 | 1 |
| 40 | 78003041050 | FOOTREST R/S 08 | 1 |
| 41 | 54803044000 | BOLT FOR FOOT PED 03 | 2 |
| 42 | 54603041000 | FOOTREST SPRING L/S & R/S | 2 |
| 43 | 0125100003 | WASHER DIN0125-A10,5 | 2 |
| 44 | 0094032253 | PIN DIN0094-3,2X25 STEEL | 2 |
| 45 | 78003040033 | FOOTREST L/S + R/S CPL. 09 | 1 |
| 46 | 50303089000 | ANGLE PIECE '97 | 1 |
| 47 | 55007016001 | PVC-HOSE 7X10 PER METER | 0 |
| 50 | 54803096000 | SPROCKET COVER 250 SX 07 | 1 |
| 59 | 77203053000 | CHAIN SLIDING PIECE BELOW | 1 |
| 64 | 77203053010 | CHAIN SLIDING KIT BELOW CPL.11 | 1 |
| 99 | 54803096010 | SPROCKET COVER KIT | 1 |

148030310

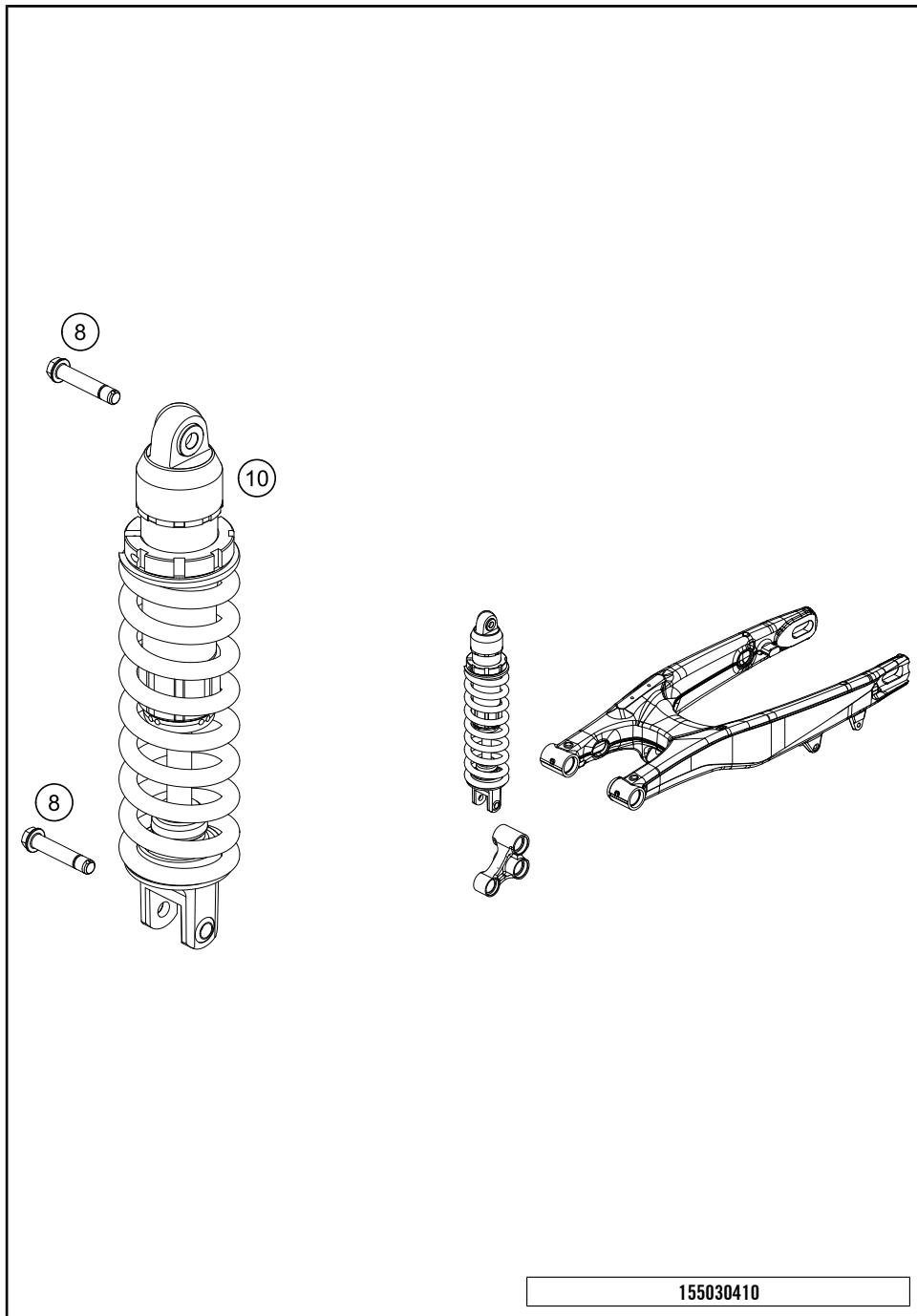
C158030310

* NEW PART

X ON DEMAND

SHOCK ABSORBER

TC 125 EU 2015



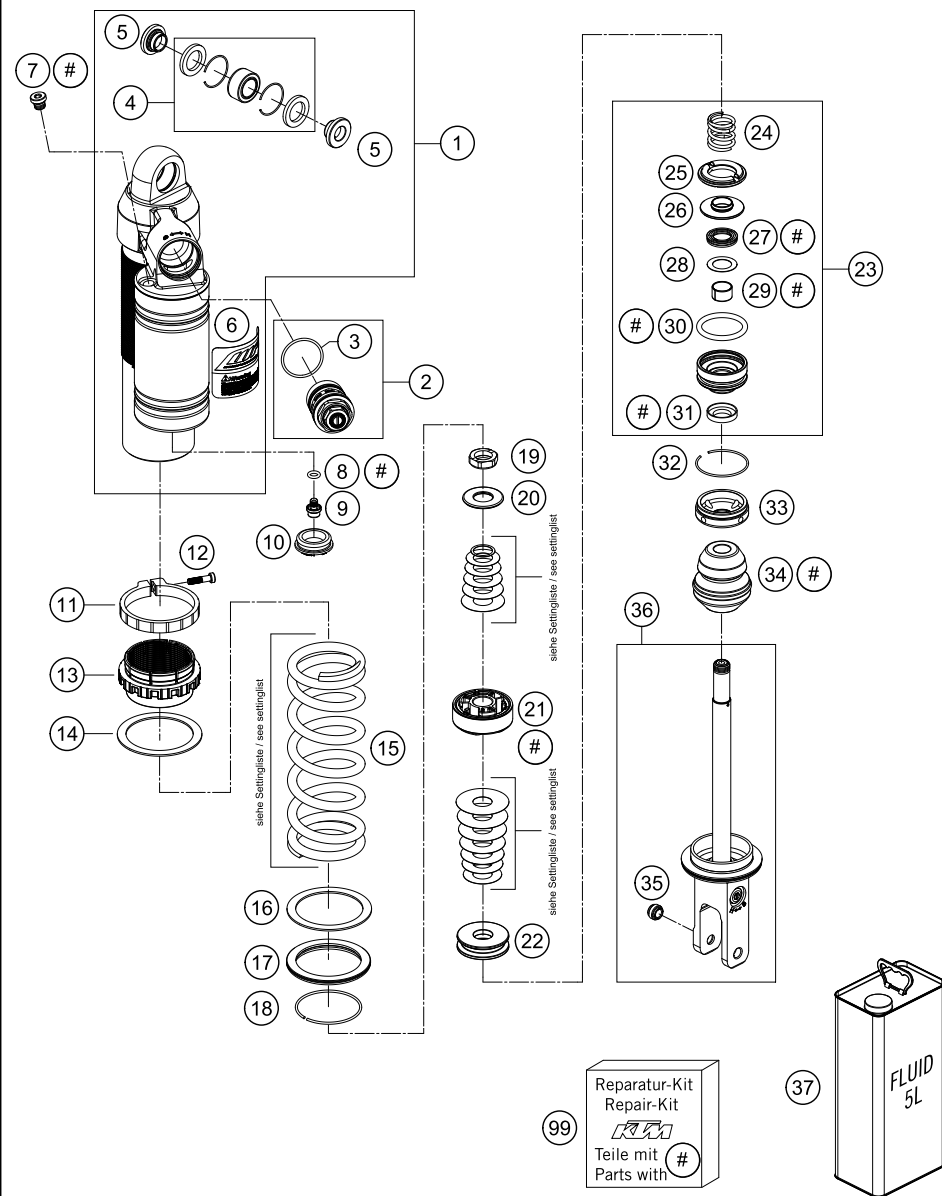
| POS | PARTNUMBER | PARTNAME | PIECE |
|-----|-------------|-----------------------------|-------|
| 8 | 77204089000 | HH COLLAR SCREW M10X52 SW13 | 2 |
| 10* | 1818705101 | SHOCK ABSORBER 125/150 SX | 1 |

155030410

C155030410

* NEW PART

X ON DEMAND



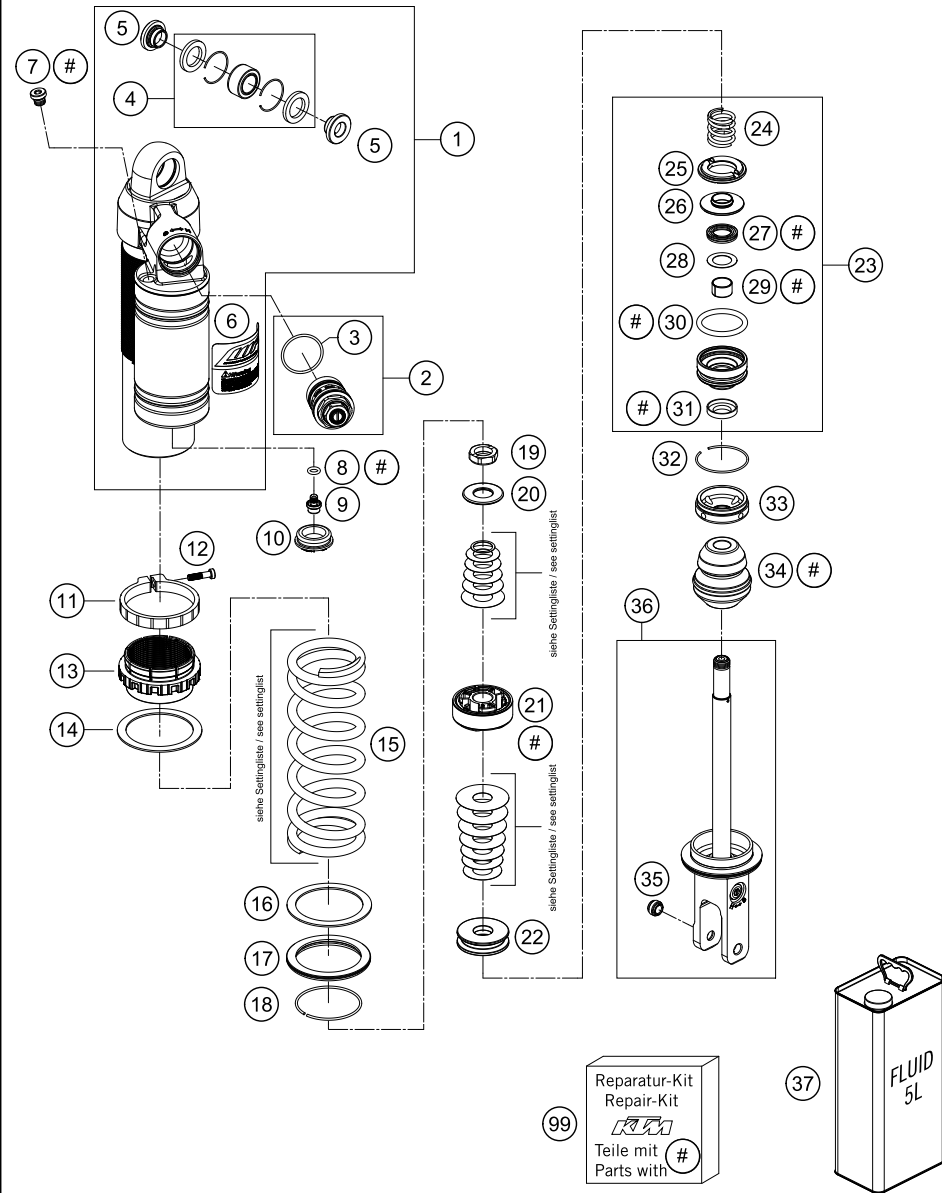
| POS | PARTNUMBER | PARTNAME | PIECE |
|-----|-------------|--------------------------------|-------|
| 1 | 50180944S1 | MONOSHOCK UPPER PART CPL. | 1 |
| 2 | 50180213S21 | DCC COMPR. DAMP. CON. CPL. 13 | 1 |
| 3 | 50180218 | O-RING 25X1,5 VITON | 1 |
| 4 | R12012 | REP. KIT BEAR./SEAL UP. 07 | 1 |
| 5 | 46180010 | BUSH KGW 10X24 | 2 |
| 6 | 52000087 | STICKER WP MONOSHOCK | 1 |
| 7 | 50180095 | BLEED PLUG R 1/8 | 1 |
| 8 | 46810893 | O-RING NBR 5,28X1,78 | 1 |
| 9 | 36120151 | SCREW PLUG M5X6 | 1 |
| 10 | 46811208 | RUBBER CAP "DO NOT OPEN" | 1 |
| 11 | 50180937 | TENSIONING RING D64 H10 | 1 |
| 12 | 14460042 | %ALLENHEAD SCREW M5 L=20 STAIN | 1 |
| 13 | 50180938 | ADJUSTING NUT PLASTIC | 1 |
| 14 | 50180114 | SPACER RING FOR SPRING | 1 |
| 15 | 91210100S | SPRING 260 45 N/MM | x |
| 15 | 91210101S | SPRING 260 48 N/MM | x |
| 15 | 91210102S | SPRING 260 51 N/MM | x |
| 15 | 91210103S | SPRING 260 54 N/MM | x |
| 15 | 91210104S | SPRING 260 57 N/MM | x |
| 15 | 91210105S | SPRING 260 60 N/MM | x |
| 16 | 50180793 | SPACER RING ADJUSTING NUT | 1 |
| 17 | 50180824 | VALVE SPRING D80 CLOSED | 1 |
| 18 | 50180273 | CIRCLIP 58,2X2 | 1 |
| 19 | 50180141 | PISTON ROD NUT M16X1 | 1 |
| 20 | 50180836 | REBOUND DISC 16X34 T2 H0 | 1 |
| 21 | 50180786E | PISTON D50 | 1 |
| 22 | 50180801 | REBOUND DISC D16X43 H8 | 1 |
| 23 | 50180603SA | ADAPTER D50 H28 CPL. | 1 |
| 24 | 50180780 | REBOUND SPRING | 1 |
| 25 | 50180798 | REBOUND RUBBER | 1 |
| 26 | 50180800 | SPRING RING | 1 |
| 27 | 50180605S | SEAL D18X30X5 08 | 1 |
| 28 | 50180604 | SHIM D29,75 X D19 X T0,4 08 | 1 |
| 29 | 46180119 | DU-BUSH 18X20X12 | 1 |
| 30 | 50180103 | O-RING 41X5 | 1 |
| 31 | 50180606 | DUST SEAL 1828 08 | 1 |
| 32 | 50180126 | CIRCLIP 53X1,75 | 1 |
| 33 | 50180626 | RESERVOIR CAP D=50 H=10 09 | 1 |

148130430

C157770430

* NEW PART

X ON DEMAND

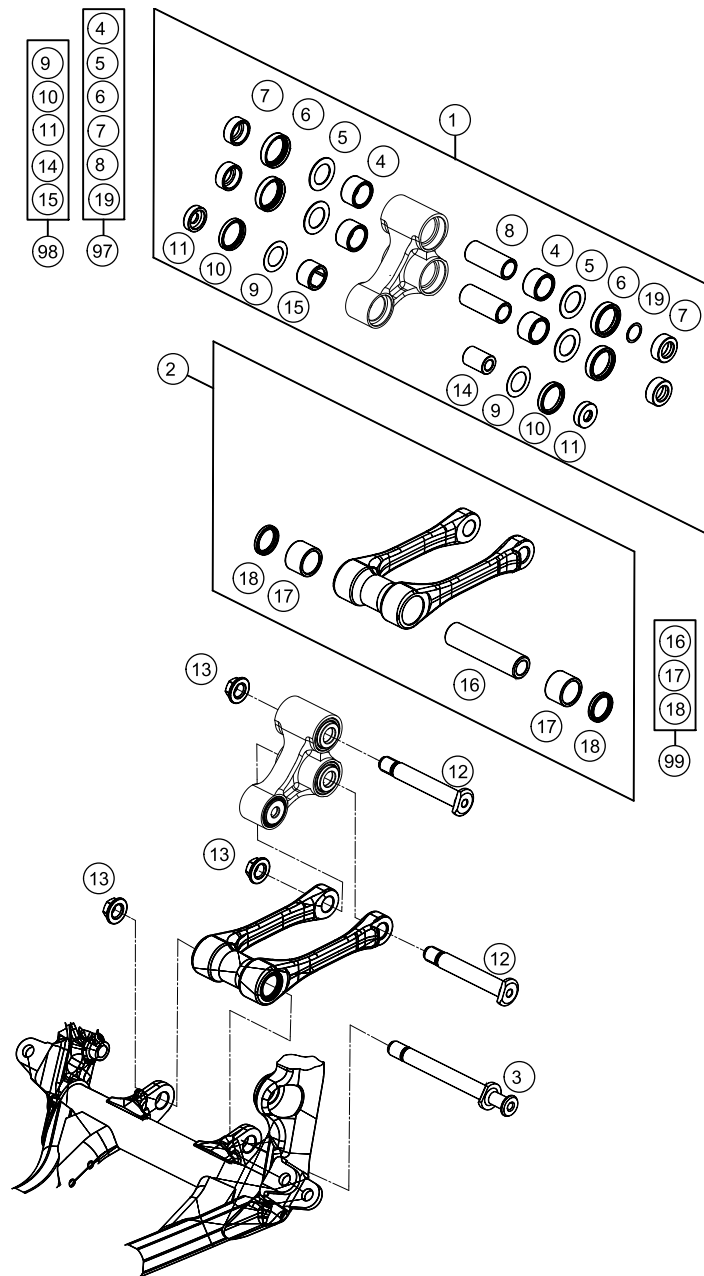


| POS | PARTNUMBER | PARTNAME | PIECE |
|-----|------------|-----------------------------|-------|
| 34 | 50180775 | BUMP RUBBER | 1 |
| 35 | 46811205 | ADAPTOR-BUSH M10x1,50, D=15 | 1 |
| 36 | 50180773SA | MONOSHOCK BOTTOM PART CPL. | 1 |
| 37 | 50180751S1 | SHOCK ABSORBER FLUID 5 LT | 1 |
| 99 | R12018 | REPAIR-KIT | x |

148130430

C157770430

* NEW PART X ON DEMAND



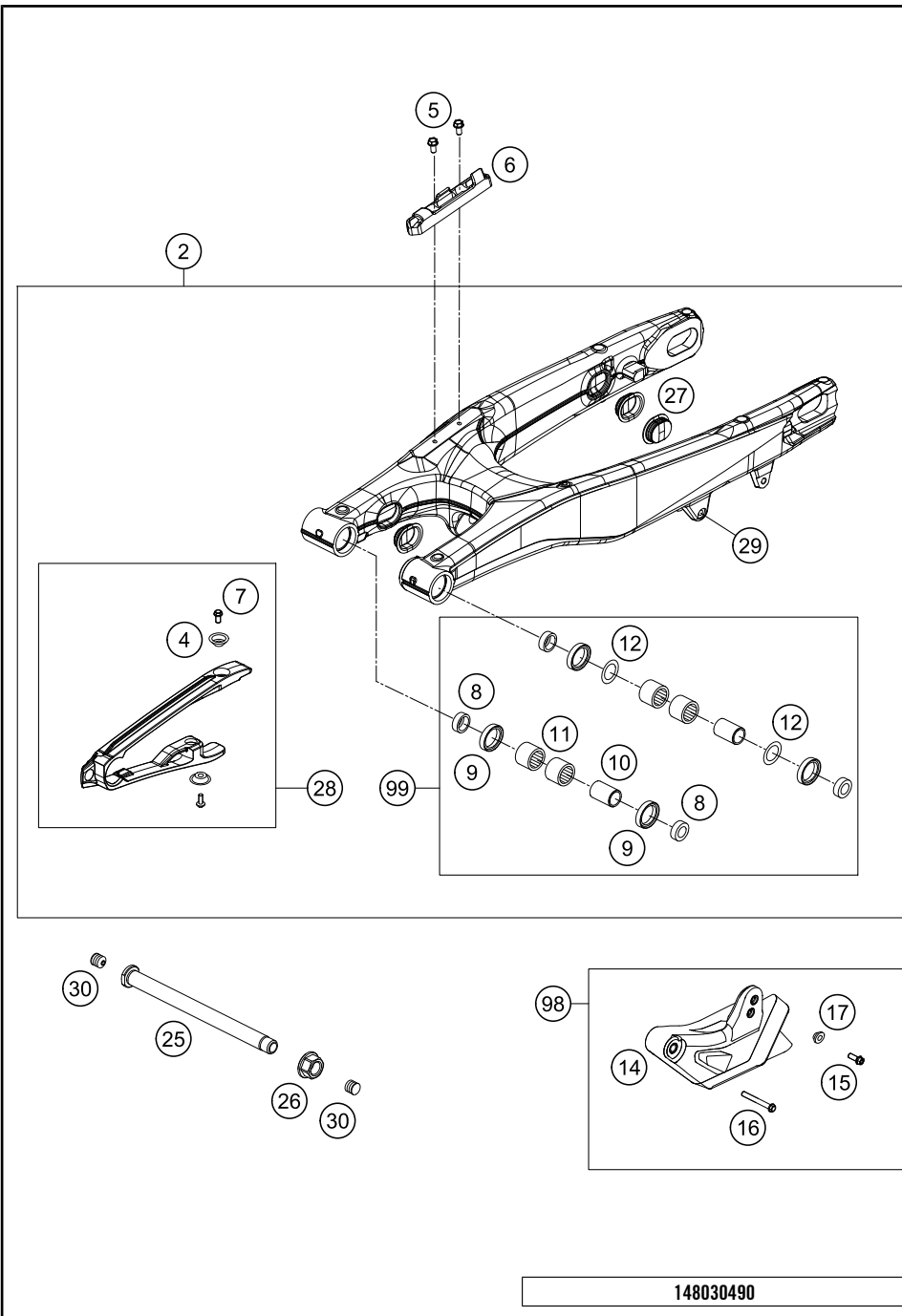
| POS | PARTNUMBER | PARTNAME | PIECE |
|-----|---------------|--------------------------------|-------|
| 1* | 7770408004401 | TRIANGLE LEVER CPL. SX 2014 | 1 |
| 2* | 7770408304401 | PULL ROD CPL. SX 15 | 1 |
| 3 | 77204084000 | PULL ROD ANCHOR BOLT | 1 |
| 4 | 54603097000 | NEEDLE BUSH HK 2016 | 4 |
| 5 | 59033080000 | SHIM 20X32X1 | 4 |
| 6 | 0760253270 | SHAFT SEAL RING 25X32X7 | 4 |
| 7 | 77204080130 | BUCKET SHAFT SEAL RING 25X11 | 4 |
| 8 | 54603081000 | BUSHING SLEEVE 15 X 20 X 48 | 2 |
| 9 | 50180604 | SHIM D29,75 X D19 X T0,4 08 | 2 |
| 10 | 0760243050 | SHAFT SEAL RING 24X30X5 | 2 |
| 11 | 77204080020 | BUCKET FOR SHAFT SEAL RING | 2 |
| 12 | 77204085000 | BOLT FOR CANTILEVER M14 | 2 |
| 13 | 77204087000 | HEX NUT M14X1.5 SW17 | 3 |
| 14 | 77204080010 | BEARING SLEEVE 10X18X25,5 | 1 |
| 15 | 0618182416 | NEEDLE BUSH HN1816 RS 18/24/16 | 1 |
| 16 | 77204084010 | BEARING SLEEVE | 1 |
| 17 | 0618222820 | NEEDLE BEARING HK2220 22X28X20 | 2 |
| 18 | 0760222841 | SHAFT SEAL RING G22x28x4 | 2 |
| 19 | 54603090010 | STEEL WASHER 15,2X19X0,1 | x |
| 19 | 54603090020 | STEEL WASHER 15,2X19X0,2 | x |
| 19 | 54603090030 | STEEL WASHER 15,2X19X0,3 | x |
| 97 | 77204080110 | TRIANGLE LEVER REP. KIT REAR | x |
| 98 | 77204080090 | TRIANGLE LEVER REP. KIT FRONT | x |
| 99 | 77204083010 | PULL ROD REP. KIT SX/SX-F | x |

155030460

C155030460

* NEW PART

X ON DEMAND

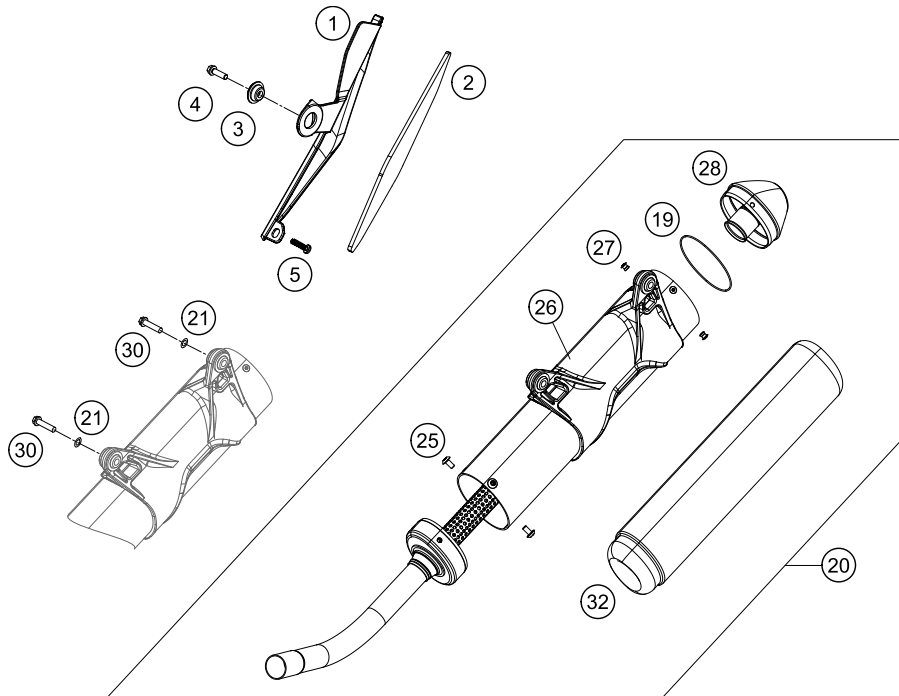


| POS | PARTNUMBER | PARTNAME | PIECE |
|-----|-------------|--------------------------------|-------|
| 2 | 77204030044 | SWINGARM CPL. 11 | 1 |
| 4 | 77304066050 | BUSHING F. CHAIN SLIDING PR.07 | 2 |
| 5 | 0009050106 | EJOT SPIRAL SCREW SF M5X10-K | 2 |
| 6 | 76504042000 | BRAKE LINE GUIDE 08 | 1 |
| 7 | 59009062013 | SPECIAL SCREW M6X13 WS=8 10.9 | 2 |
| 8 | 54804034000 | BUCKET F. SHAFT SEAL RING 03 | 4 |
| 9 | 0760253270 | SHAFT SEAL RING 25X32X7 | 4 |
| 10 | 54804032000 | BUSHING SLEEVE F. SWING ARM 03 | 2 |
| 11 | 58033097000 | NEEDLE BEARING HK 2216 | 4 |
| 12 | 54603036000 | STOP DISK 22,2X31,7X1 | 2 |
| 14 | 77704070000 | CHAIN GUIDE REAR CPL. SX 2013 | 1 |
| 15 | 59009062019 | SPECIAL SCREW M6X19 WS=8 10.9 | 1 |
| 16 | 0025060456 | HH COLLAR SCREW M6X45 TX30 | 1 |
| 17 | 77304070130 | BUSH. F. CHAIN FAIL. PROT. 07 | 1 |
| 25 | 77304037000 | SWINGARM BOLT M16X1,5 07 | 1 |
| 26 | 54804038000 | SELF LOCK.NUT M16X1,5 WS=19 03 | 1 |
| 27 | 77204041000 | CLOSING COVER | 4 |
| 28 | 77204066010 | CHAIN GUARD CPL. 11-15 | 1 |
| 29 | 54603055051 | PRESS IN NUT M6 STEEL ZINC | 1 |
| 30 | 55009086000 | PLUG SFL13 | 2 |
| 98 | 77704070210 | CHAIN GUIDE KIT REAR SX-F 14 | 1 |
| 99 | 54804230210 | SWINGARM REPAIR KIT 05-15 | x |

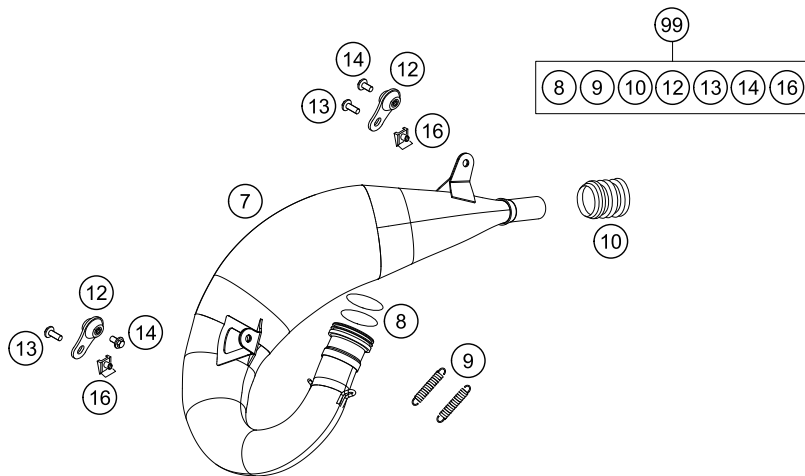
148030490

C148030490

* NEW PART X ON DEMAND



| POS | PARTNUMBER | PARTNAME | PIECE |
|-----|---------------|--------------------------------|-------|
| 1 | 8130501100030 | HEAT SHIELD BLACK | 1 |
| 2 | 81305011050 | THERMAL PROTECTION FOIL | 1 |
| 3 | 77308013010 | COLLAR BUSH. F.REAR FENDER 07 | 1 |
| 4 | 0025060206 | HH COLLAR SCREW M6X20 TX30 | 1 |
| 5 | 0081050121 | SCREW FOR PLASTIC K50X12 T20 | 1 |
| 7 | 50305007300 | EXHAUST PIPE CPL. SX 2006 | 1 |
| 8 | 0770440030 | O-RING 44,00X3,00 VITON | 2 |
| 9 | 50305016000 | TEN.SPRING L=62MM EY.MOVEABLE | 2 |
| 10 | 54605057000 | RUBBER SLEEVE D=21MM/23MM '93 | 1 |
| 12 | 50305012000 | SWINGELEMENT FOR EXHAUST PIPE | 2 |
| 13 | 0024060156 | HH COLLAR SCREW M6X15 TX30 | 2 |
| 14 | 0024060106 | HH COLLAR SCREW M6X10 TX30 | 2 |
| 16 | 54603048100 | RANGE CHANGE METAL NUT M6 | 2 |
| 19 | 0770740015 | O-RING 74,00X1,50 FKM 75SH | 1 |
| 20 | 50305079500 | SILENCER 125-150 SX | 1 |
| 21 | 0137060003 | SPRING WASHER DIN0137-B 6 | 2 |
| 25 | 58605083010 | SCREW TORX M5X10 05 | 4 |
| 26 | 50305179085 | SILENCER CASING CPL.W.MOUNTING | 1 |
| 27 | 0011480800 | DUMMY RIVET 4,8X 8 NIRO | 4 |
| 28 | 50305083260 | END CAP CPL. | 1 |
| 30 | 0025060356 | HH COLLAR SCREW M6X35 TX30 | 2 |
| 32 | 50305078235 | % ROCK WOOL 235G | 1 |
| 99 | 00050000810 | EXHAUST HARDWARE KIT 05-14 | x |

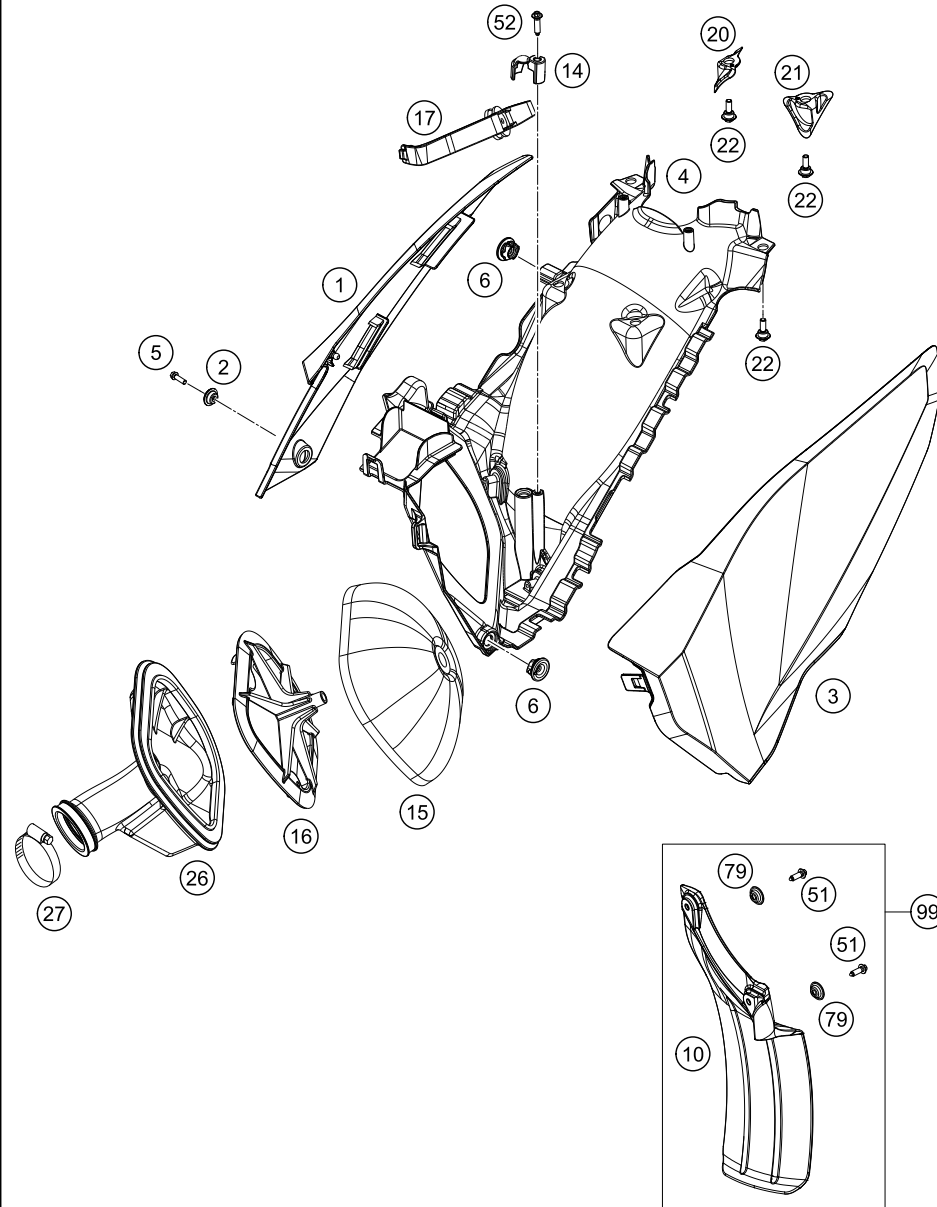


148030510

C148030510

* NEW PART

X ON DEMAND



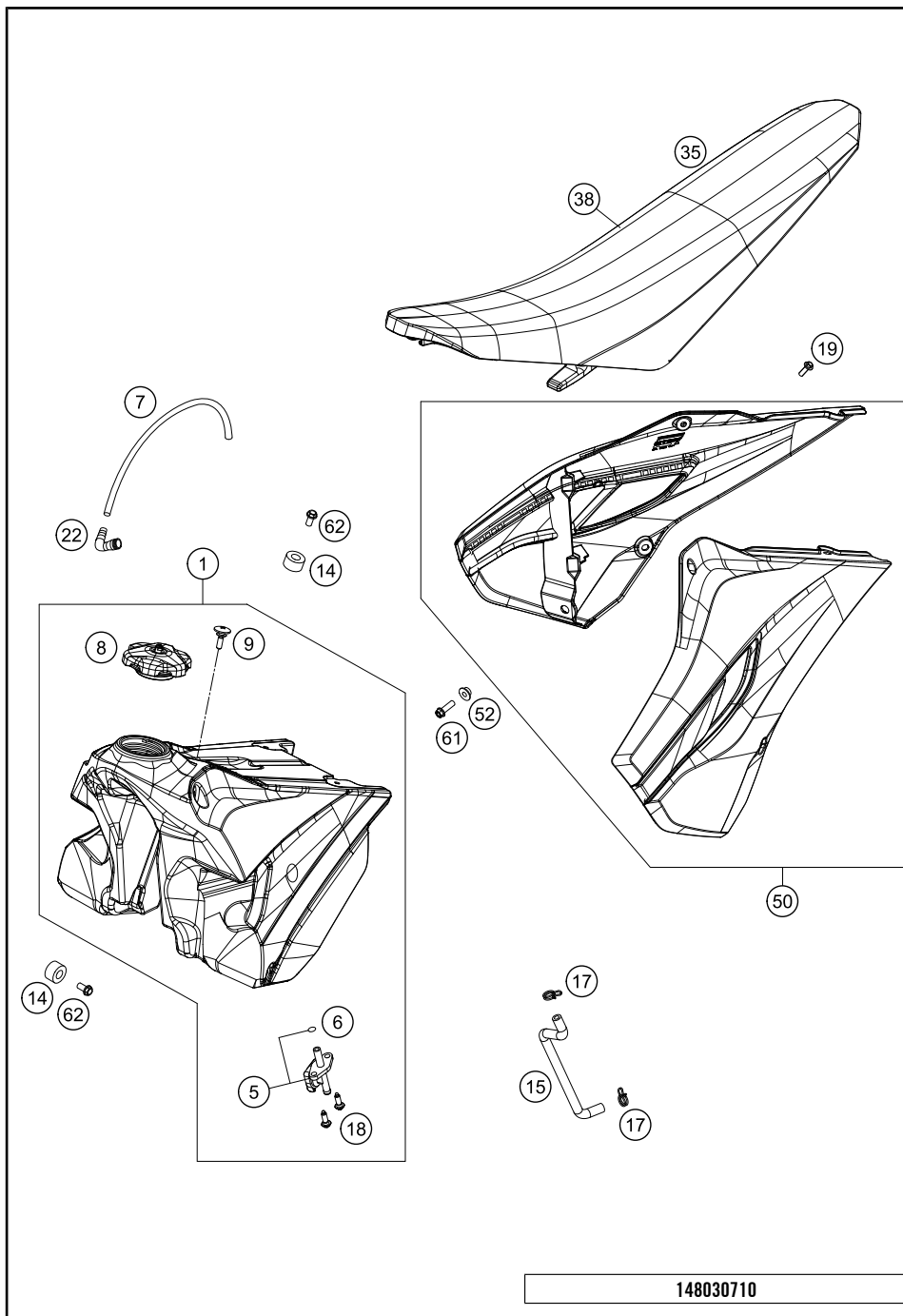
| POS | PARTNUMBER | PARTNAME | PIECE |
|-----|----------------|--|-------|
| 1* | 8130600400028E | FILTER BOX COVER R/S TE/FE 15 WITH DECAL | 1 |
| 2 | 77308013010 | COLLAR BUSH. F.REAR FENDER 07 | 1 |
| 3* | 8130600300028E | FILTER BOX COVER L/S TE/FE 15 WITH DECAL | 1 |
| 4* | 8130610120030 | AIR BOX PART | 1 |
| 5 | 0025060206 | HH COLLAR SCREW M6X20 TX30 | 1 |
| 6 | 47106003160 | QUICK CONNECTOR CLUTCH | 2 |
| 10 | 77306010000 | FENDER FOR FILTER BOX | 1 |
| 14 | 81306001010 | FIXING CAP | 1 |
| 15 | 77206015000 | AIR FILTER | 1 |
| 16 | 54806516000 | FILTER CARRIER | 1 |
| 17 | 81306017000 | FILTER SUPPORT CPL. | 1 |
| 20 | 8130600105130 | COVER L/S | 1 |
| 21 | 8130600105030 | COVER R/S | 1 |
| 22 | 83008100020 | SCREW M6X20X5,5 | 4 |
| 26 | 51506126000 | CABURETOR CONNECT. BOOT | 1 |
| 27 | 51006027000 | HOSE CLAMP 50-70MM | 1 |
| 51 | 0017060206 | SCREW F. PLASTIC K60X20AL SW6 | 2 |
| 52 | 0017060255 | EJOT PT SCREW K60X25-Z SW6 | 1 |
| 79 | 77304066050 | BUSHING F. CHAIN SLIDING PR.07 | 2 |
| 99 | 77306010010 | SPLASH PROTECTOR KIT SX/EXC | x |

148030610

C158030610

* NEW PART

X ON DEMAND



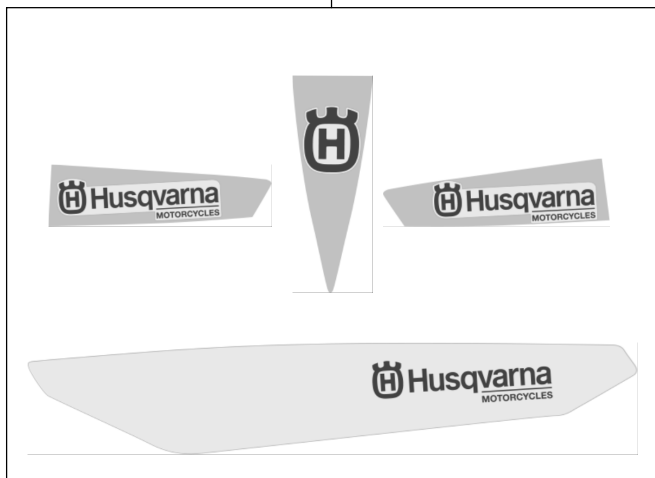
| POS | PARTNUMBER | PARTNAME | PIECE |
|-----|----------------|---|-------|
| 1 | 8030781303330 | FUEL TANK CPL. 2014 | 1 |
| 5 | 50307005000 | GAS COCK MIKUNI ON/OFF 2001 | 1 |
| 6 | 0770130023 | O-RING 13,00X2,30 | 1 |
| 7 | 78007000270 | PVC-HOSE 5,6X10X270MM | 1 |
| 8 | 7770700814455 | TANK PLUG CPL. 2014 | 1 |
| 9 | 50307011000 | SCREW SEAT FASTENING D=6X23/18 | 1 |
| 14 | 50307014000 | TANK ROLLER 12X26X12 '98 | 3 |
| 15 | 54807516000 | FUEL HOSE 6X2,5 | 1 |
| 17 | 58031005000 | CLAMP YDNAC 10128 12MM | 2 |
| 18 | 0017060205 | SCREW FOR PLASTIC K60X20 SW6 | 2 |
| 19 | 0017060206 | SCREW F. PLASTIC K60X20AL SW6 | 6 |
| 22 | 50330022000 | ANGLE PIEC 90 DEGREE M10X1 02 | 1 |
| 35* | 81307840200 | SEAT 2015 | 1 |
| 38* | 81307840250 | SEAT COVER TC/FC 15 | 1 |
| 50* | 8130805400028D | SPOILER KIT WHITE TC/FC 2015 WITH DECAL | 1 |
| 52 | 50308052000 | BUSH FOR SPOILER 6X11X16X5 MM | 2 |
| 61 | 0025060206 | HH COLLAR SCREW M6X20 TX30 | 2 |
| 62 | 0026060136 | COLLAR SCREW M6X13 ISA30 | 3 |

148030710

C158030710

* NEW PART X ON DEMAND

1



2



3



158030830

| POS | PARTNUMBER | PARTNAME | PIECE |
|-----|-------------|--------------------------------|-------|
| 1* | 80308599100 | DECAL KIT TE/FE/TC/FC 2015 | 1 |
| 2* | 80308698000 | DISPLACEMENT STICKERS 125TC 15 | 1 |
| 3 | 52000115 | STICKER FRONT FORK-SET WP"4CS" | 1 |

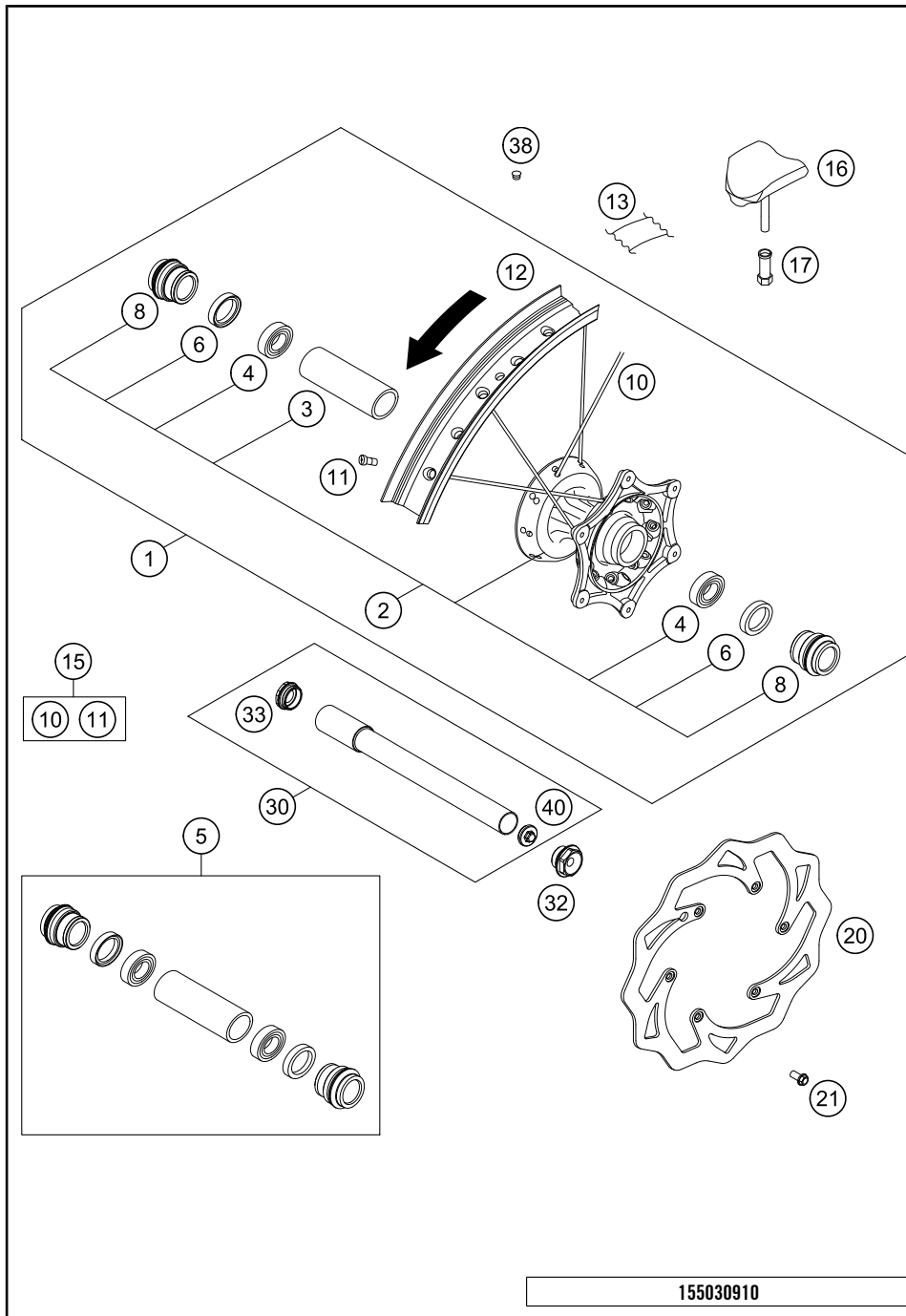
C158030830

* NEW PART

X ON DEMAND

FRONT WHEEL

TC 125 EU 2015

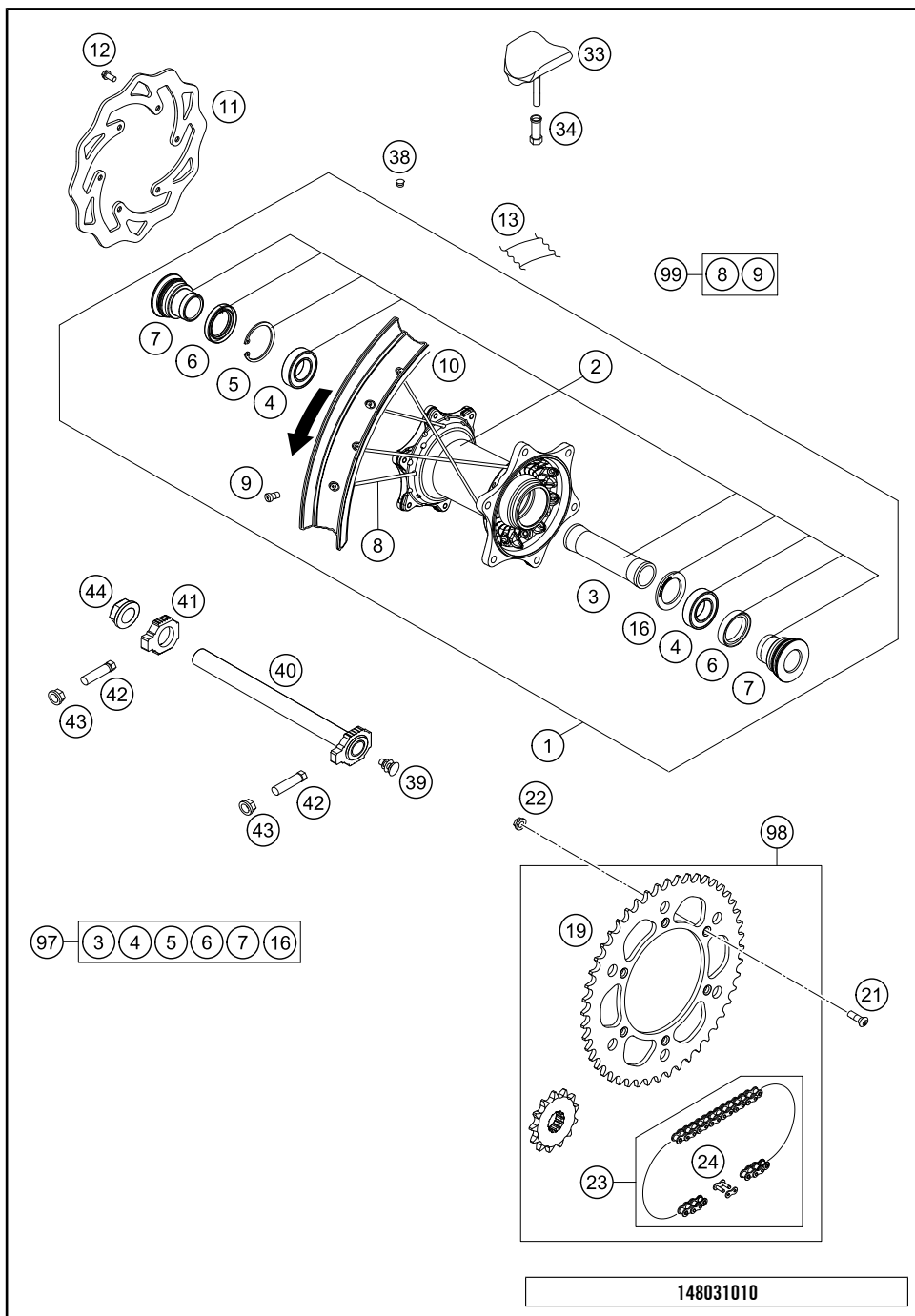


| POS | PARTNUMBER | PARTNAME | PIECE |
|-----|---------------|--------------------------------|-------|
| 1* | 8030960104430 | FRONT WHEEL CPL. 1,6X21" DID15 | 1 |
| 2* | 25009010044 | FRONT WHEEL HUB CPL. 22MM 15 | 1 |
| 3 | 54809011000 | BEA.SPACERTUBE 35X2 L=79,4 03 | 1 |
| 4 | 0625069068 | GR.BALL BEAR.6906 DDU2CG23S6NM | 2 |
| 5* | 77709015000 | FRONT WHEEL REP. KIT SX-F USA | 1 |
| 6 | 0760354771 | SHAFT SEAL RING 35X47X7 TC | 2 |
| 8* | 77709012000 | SPACER BUSHING F. FR. WHEEL | 2 |
| 10 | 77109071226 | SPOKE M4,5x226-21" 11 | 36 |
| 11 | 77109072000 | SPOKE NIPPLE M4,5 AL 11 | 36 |
| 12 | 8120907010030 | RIM FRONT 1,60X21" DID | 1 |
| 13 | 50309073000 | RIM BAND 21" | 1 |
| 15 | 00050000916 | SPOKE KIT FRONT "21" | x |
| 16 | 78109090000 | RIM LOCK 1,60" | 1 |
| 17 | 77110090050 | NUT FOR WHEEL HOLDER | 1 |
| 20 | 77309060000 | BRAKE DISC FRONT 260 | 1 |
| 21 | 59009062013 | SPECIAL SCREW M6X13 WS=8 10.9 | 6 |
| 30* | 77709081033 | WHEEL SPIN.FR. CPL. D=22 15 | 1 |
| 32* | 70009082000 | AXLESCREW M20X1.5; SW17 | 1 |
| 33* | 70009081050 | PLUG BUSHING SW17 '12 | 1 |
| 38 | 55003135000 | PLUG FOR RIM | x |
| 40* | 7770908107055 | AUXILIARY SCREW FRONT | 1 |

155030910

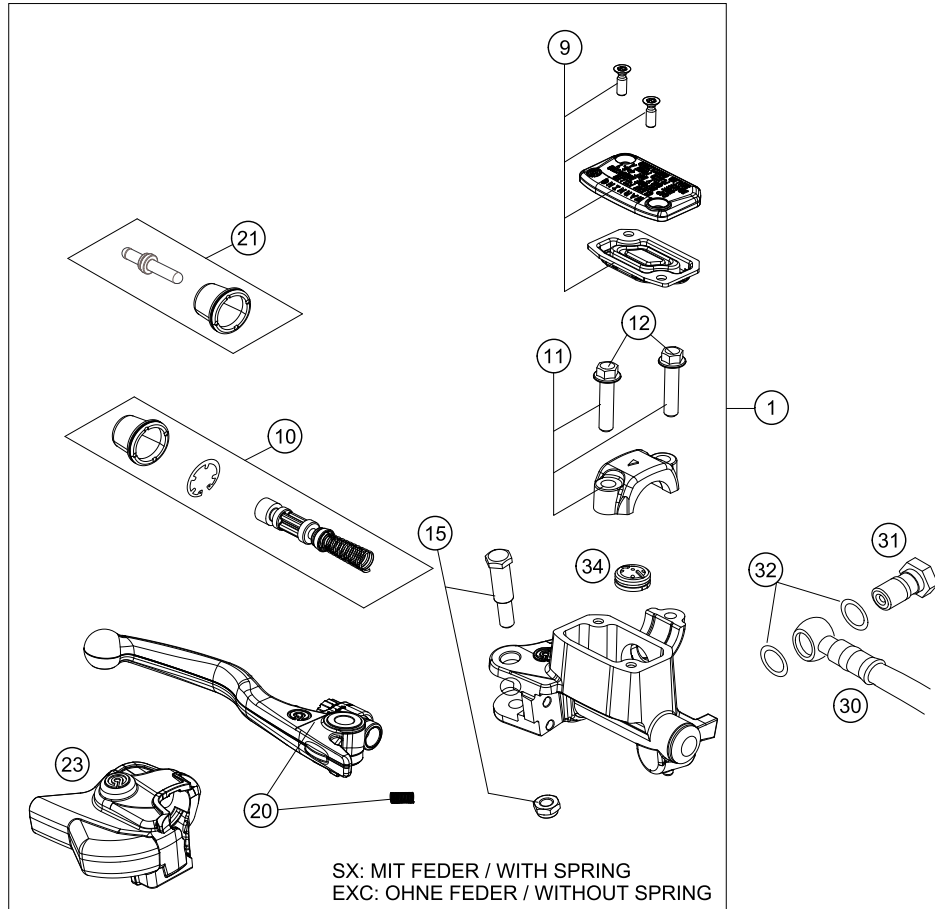
C158030910

* NEW PART X ON DEMAND



| POS | PARTNUMBER | PARTNAME | PIECE |
|-----|---------------|--------------------------------|-------|
| 1 | 8031050104430 | REAR WHEEL CPL.2,15X19"DID 14 | 1 |
| 2 | 78010010144 | REAR WHEEL HUB CPL. | 1 |
| 3 | 77710011000 | BEARING DISTANCE TUBE 121,5MM | 1 |
| 4 | 0625060058 | GR.BALL BEAR.6005 DDU2CG23S6NM | 2 |
| 5 | 0472047175 | CIRCLIP DIN0472-47X1,75 | 1 |
| 6 | 0760324771 | SHAFT SEAL RING 32X47X7 BSL | 2 |
| 7 | 78010016000 | BUSHING FOR HUB 08 | 2 |
| 8 | 77110071205 | SPOKE M4,5x205-19" 11 | 36 |
| 9 | 77109072000 | SPOKE NIPPLE M4,5 AL 11 | 36 |
| 10 | 8121017010030 | RIM 2,15X19 DID BLACK | 1 |
| 11 | 77310060000 | BRAKE DISC REAR 220 | 1 |
| 12 | 59009062013 | SPECIAL SCREW M6X13 WS=8 10.9 | 6 |
| 13 | 50310073200 | RIM BAND 18" AND 19" | 1 |
| 16 | 77710015000 | DISTANCE RING | 1 |
| 19* | 7771015104830 | SPROCKET 48-T BLACK | x |
| 19* | 7771015105030 | SPROCKET 50-T BLACK | 1 |
| 19* | 7771015105230 | SPROCKET 52-T BLACK | x |
| 21 | 0019080266S | COUNTER-SUNK SCREW ISA45 M8X26 | 6 |
| 22 | 06923080003 | HEXAGON NUT DIN EN1661 M8 SW13 | 6 |
| 23 | 50310165118 | CHAIN 5/8X1/4" MX | 1 |
| 24 | 50310166000 | CONNECTING LINK F. 50310165118 | 1 |
| 33 | 78110090000 | RIM LOCK 2,15" | 1 |
| 34 | 77110090050 | NUT FOR WHEEL HOLDER | 1 |
| 38 | 55003135000 | PLUG FOR RIM | x |
| 39 | 50210086000 | COVERING CAP SFL16 | x |
| 40 | 77310085044 | WHEEL SPINDLE RE. CPL.265MM 07 | 1 |
| 41 | 50310084000 | CHAIN TENSIONER R/S 2000 | 1 |
| 42 | 50304040100 | SCREW M10X1,25X50 WS=10 | 2 |
| 43 | 58414030000 | HH COLLAR NUT M10X1,25 WS=13 | 2 |
| 44 | 50310099000 | HEXAGON NUT M20X1,5 '98 | 1 |
| 97 | 78010015010 | REAR WHEEL REP. KIT | x |
| 98 | 00050002044 | DRIVETRAIN KIT HQV 13T/50T | x |
| 99 | 00050000917 | SPOKE KIT REAR "19" | x |

* NEW PART X ON DEMAND



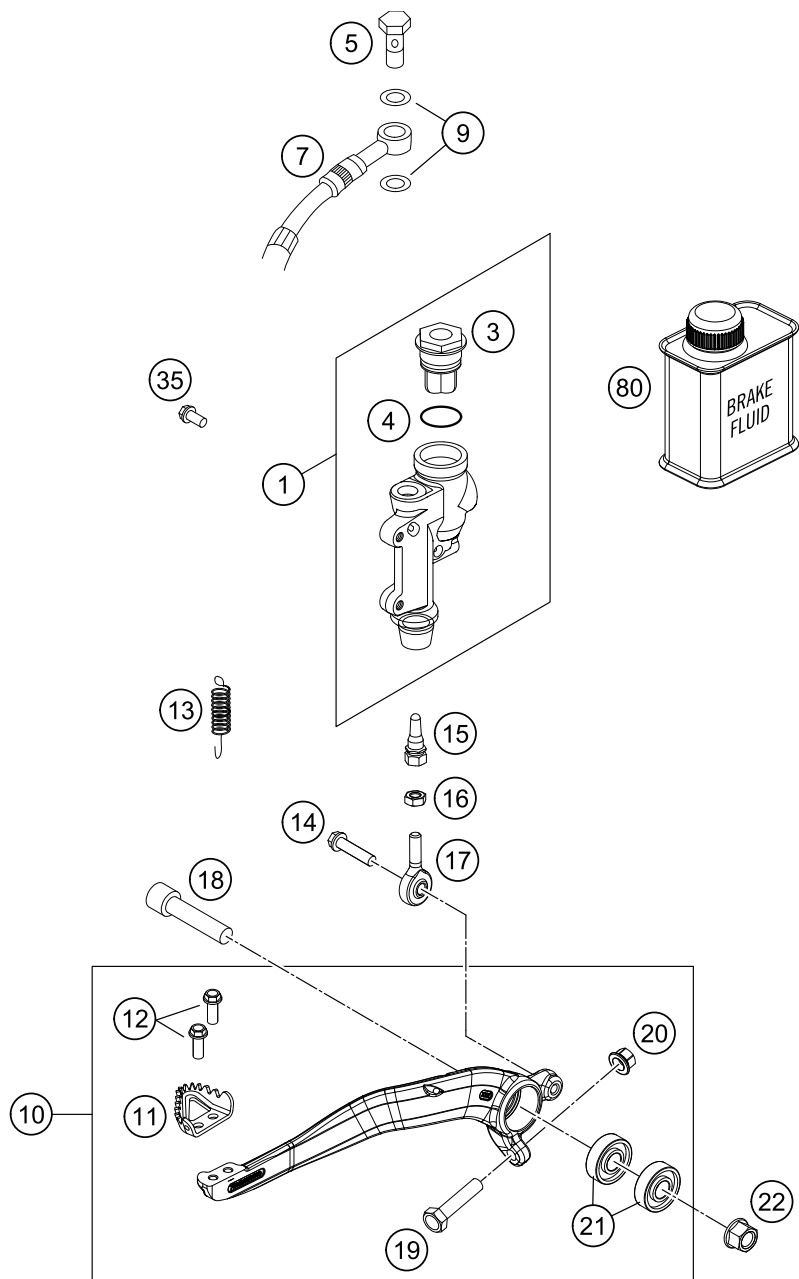
| POS | PARTNUMBER | PARTNAME | PIECE |
|-----|-------------|--|-------|
| 1 | 77713001044 | HAND BREAK CYLIND. CPL. X 2014 | 1 |
| 9 | 77713003000 | HAND BRAKE CYL. COVER | 1 |
| 10 | 77713008000 | REPAIR KIT PISTON SX 2014 | 1 |
| 11 | 54802005100 | CLAMP CPL. 06 | 1 |
| 12 | 0025060256 | HH COLLAR SCREW M6X25 TX30 | 2 |
| 15 | 77713006000 | LEVER SCREW | 1 |
| 20 | 77713002000 | HAND BRAKE LEVER +SPRING SX 14 SX WITH SPRING, EXC W/O SPR. | 1 |
| 21 | 77713007000 | PUSH ROD CPL. SX 2014 | 1 |
| 23 | 77713004000 | PROTECTION CAP HAND BRAKE CYL. | 1 |
| 30 | 59013010000 | BRAKEHO. FRONT 1235MM 2000 | 1 |
| 31 | 54813020100 | HOLLOW SCREW BLACK M10X1X19 | 1 |
| 32 | 0603100141 | COPPER GASKET DIN7603-10X14X1 | 2 |
| 34 | 54802051000 | VALVE | 1 |
| 80 | 00062030000 | BRAKE FLUID DOT5.1 0,25L | 1 |

147781310

C148031310

* NEW PART

X ON DEMAND



148031330

| POS | PARTNUMBER | PARTNAME | PIECE |
|-----|-------------|-------------------------------|-------|
| 1 | 77013060044 | REAR BRAKE CYLINDER CPL.SX 09 | 1 |
| 3 | 54813062100 | REAR BRAKE CYL. COVER CPL. 04 | 1 |
| 4 | 54813063000 | FOOT-BRAKE CYL. GASKET SX 03 | 1 |
| 5 | 54813020100 | HOLLOW SCREW BLACK M10X1X19 | 1 |
| 7 | 77213070000 | BRAKE HOSE REAR XXXMM 11 | 1 |
| 9 | 0603100141 | COPPER GASKET DIN7603-10X14X1 | 2 |
| 10 | 78013050044 | FOOT BRAKE LEVER CPL. | 1 |
| 11 | 54813051000 | STEP PLATE FOR BRAKE LEVER | 1 |
| 12 | 0025050126 | HH COLLAR SCREW M5X12 TX30 | 2 |
| 13 | 54603062000 | RETURN SPRING FOR BRAKE LEVER | 1 |
| 14 | 0025060206S | HH COLLAR SCREW M6X20 TX30 | 1 |
| 15 | 54813056000 | PUSH ROD L=28MM 03 | 1 |
| 16 | 0934060003 | HEXAGON NUT DIN0934-M 6 | 1 |
| 17 | 54813055000 | SWIVEL HEAD KA6 03 | 1 |
| 18 | 0032100406S | AH-COLLAR SCREW M10X40 ISA45 | 1 |
| 19 | 59001037000 | SPECIAL SCREW M8X26 WS=10 | 1 |
| 20 | 46030045000 | COLLAR NUT M8 WS=10 | 1 |
| 21 | 0625060002 | BALL BEARING SKF 6000-2RS1 | 2 |
| 22 | 54630044000 | COLLAR NUT M10 WS=13 | 1 |
| 35 | 0025060126 | HH COLLAR SCREW M6X12 TX30 | 2 |
| 80 | 00062030000 | BRAKE FLUID DOT5.1 0,25L | 1 |

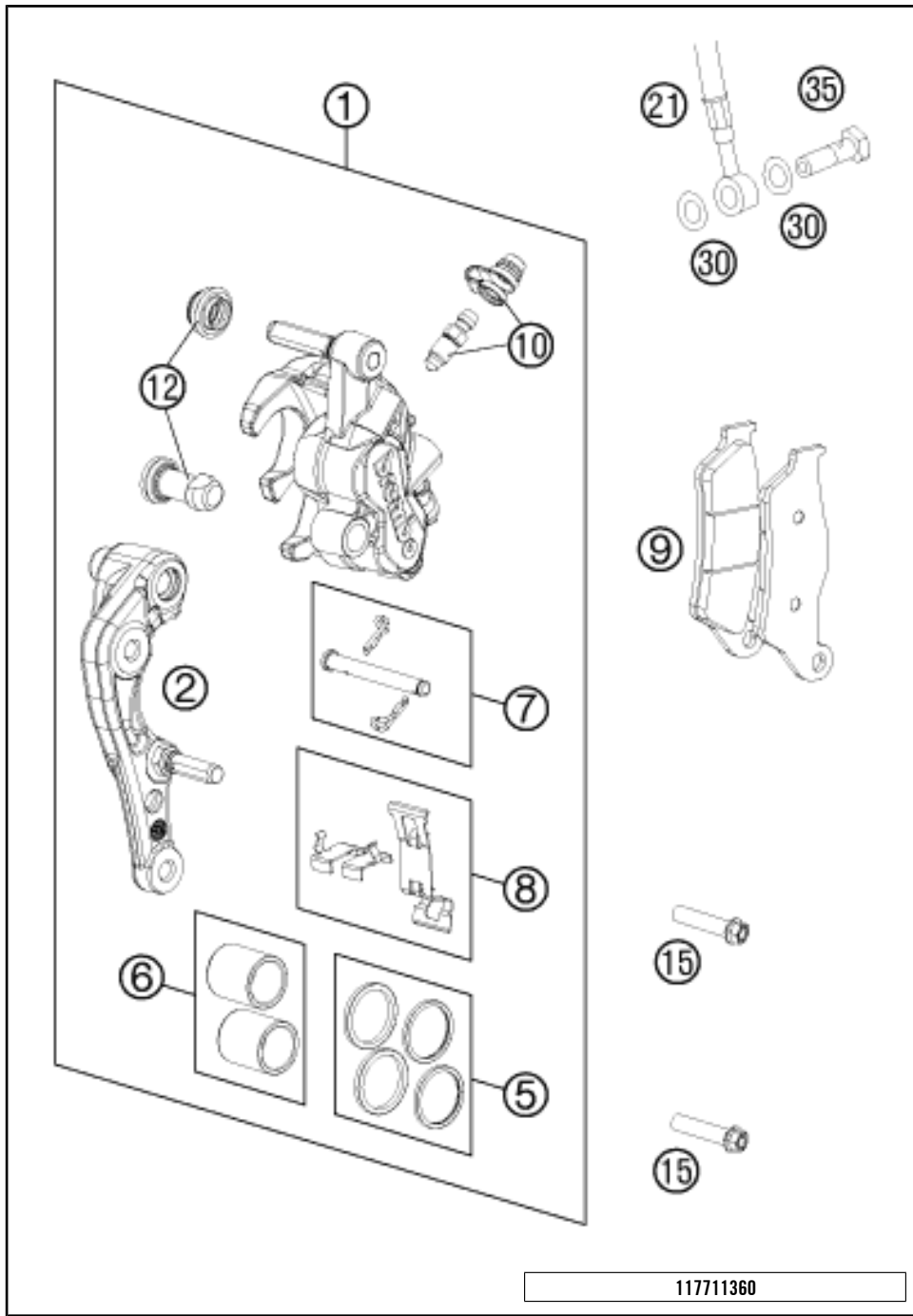
C148031330

* NEW PART

X ON DEMAND

BRAKE CALIPER FRONT

TC 125 EU 2015



| POS | PARTNUMBER | PARTNAME | PIECE |
|-----|---------------|--------------------------------|-------|
| 1 | 7701301500101 | CALIPER NAT. WITHOUT PADS | 1 |
| 2 | 77013014000 | BRAKE CALIPER SUPPORT FRONT 09 | 1 |
| 5 | 77013021000 | REP. KIT SEALS 24MM | 1 |
| 6 | 77013019000 | REP. KIT PISTON 24MM | 1 |
| 7 | 77013017000 | BOLT CPL. 09 | 1 |
| 8 | 77013018000 | RETAINING PLATE SET BREMBO | 1 |
| 9 | 77713030000 | BRAKE PADS FRONT | 1 |
| 10 | 61013020100 | BLEEDER SCREW WITH CAP | 1 |
| 12 | 54613218000 | CUP SET SHORT | 1 |
| 15* | 0025080306S | HH COLLAR SCREW M8X30 TX40 | 2 |
| 21 | 59013010000 | BRAKEHO. FRONT 1235MM 2000 | 1 |
| 30 | 0603100141 | COPPER GASKET DIN7603-10X14X1 | 2 |
| 35 | 50213025000 | HOLLOW SCREW M10X1X19 | 1 |

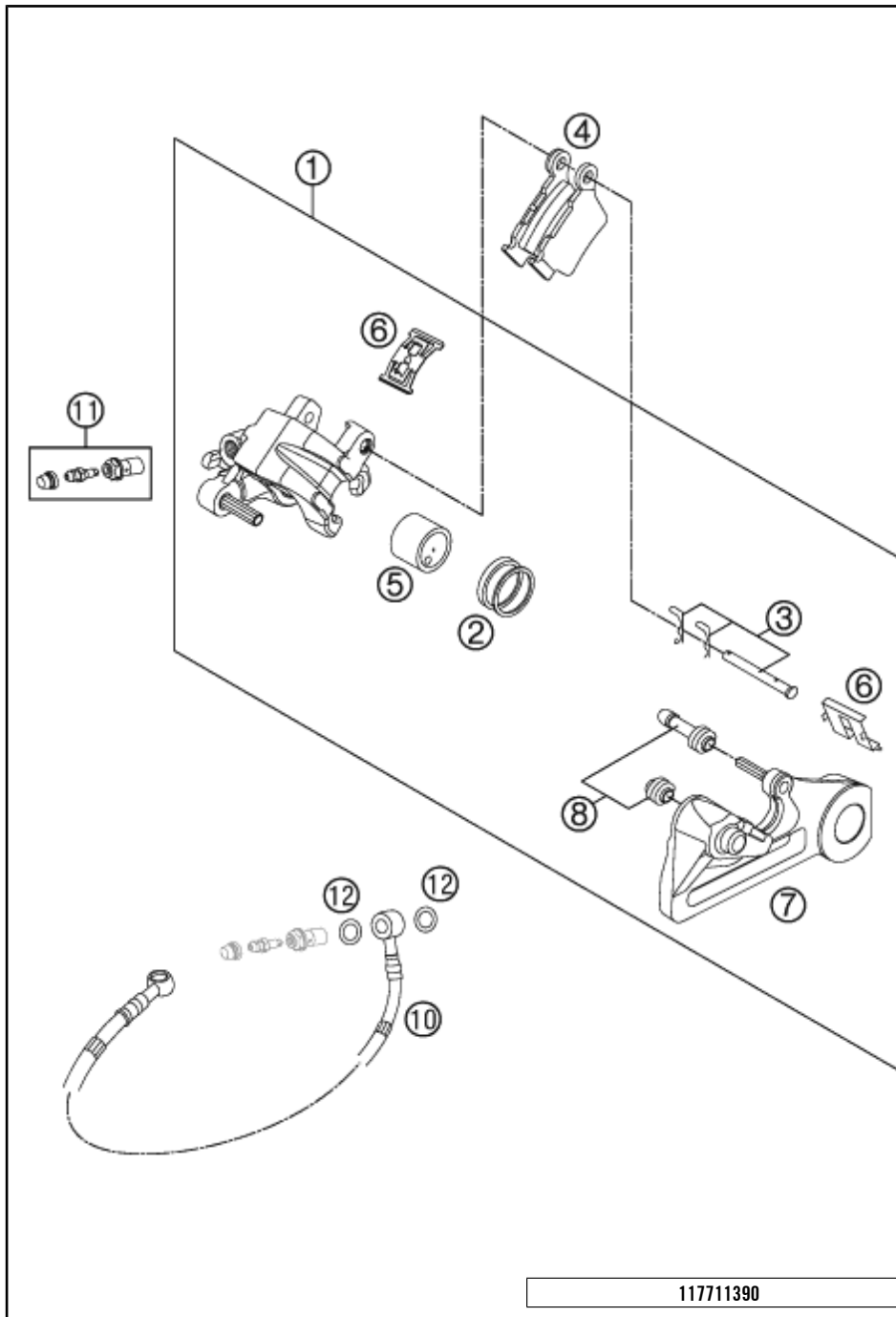
117711360

C155031360

* NEW PART X ON DEMAND

BRAKE CALIPER REAR

TC 125 EU 2015



| POS | PARTNUMBER | PARTNAME | PIECE |
|-----|-------------|-------------------------------|-------|
| 1 | 54813080101 | BRAKE CAL. RE. - WITHOUT PADS | 1 |
| 2 | 50313081200 | REPAIR KIT SEALING RINGS 26MM | 1 |
| 3 | 54813082000 | BOLT SET FOR BRAKE CALIPER 03 | 1 |
| 4 | 54813090300 | BRAKE PAD SET REAR TOYO | 1 |
| 5 | 77713083000 | BRAKE PISTON 26MM 2013 | 1 |
| 6 | 54813018000 | RETAINING SPRING SET 2003 | 1 |
| 7 | 54813075000 | BRAKE CALIPER SUPPORT REAR | 1 |
| 8 | 54613218000 | CUP SET SHORT | 1 |
| 10 | 77213070000 | BRAKE HOSE REAR XXXMM 11 | 1 |
| 11 | 62513020000 | BLEEDER SCREW CPL. 05 | 1 |
| 12 | 0603100141 | COPPER GASKET DIN7603-10X14X1 | 2 |

117711390

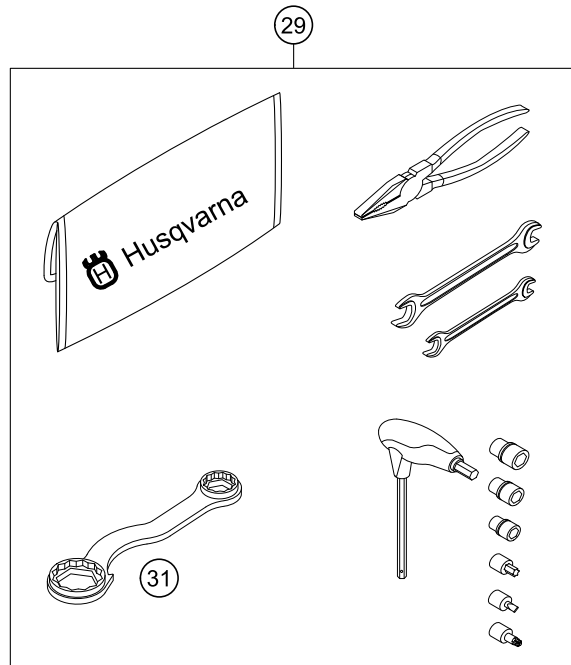
C148131391

* NEW PART

X ON DEMAND

0
OHNE ABBILDUNG
WITHOUT ILLUSTRATION

1
TECHNISCHE DOKUMENTATION
TECHNICAL DOCUMENTATION
DOCUMENTACION TECNICA
DOCUMENTATION TECHNIQUE
NOTE TECNICHE



| POS | PARTNUMBER | PARTNAME | PIECE |
|-----|---------------|--------------------------------|-------|
| 0 | HQV0110 | HUSQVARNA BALLPOINT PEN | 1 |
| 0 | 80312002000 | DOCUMENTS BAG HUSQVARNA | 1 |
| 0 | HQV0109 | HUSQVARNA NOTE-PAD | 1 |
| 0 | 00063004202 | PRINT LABEL 60X51 MM | 1 |
| 0 | 78003040033 | FOOTREST L/S + R/S CPL. 09 | 1 |
| 0 | 80302602144 | BAR PAD 2015 | 1 |
| 0 | 51535033050 | COVER FOR RADIATOR FULL | 1 |
| 0 | 51535033051 | COVER FOR RADIATOR HALF | 1 |
| 0 | 7770217900028 | HAND GUARDS CPL. L/S+R/S WHITE | 1 |
| 0 | 77703020000 | PLUG-IN STAND | 1 |
| 0 | HQV0004DE/GB | HUSKY POWER&STYLE FOLDER 2014 | 1 |
| 0 | 00062030019 | AIR FILTER OIL 100ML | 1 |
| 1 | 3402018EN | OWNERS MANUAL 125/250 TC 15 | 1 |
| 29 | 80329899000 | TOOL KIT | 1 |
| 31 | 50329080100 | WRENCH SW=17/21/27/32 B&F | 1 |

148132000

C158032000

* NEW PART

X ON DEMAND



- ⑤ Ø 5 mm
- ⑥ Ø 6 mm
- ⑧ Ø 8 mm
- ⑩ Ø 10 mm
- ⑫ Ø 12 mm
- ⑭ Ø 14-14,5 mm
- ⑯ Ø 16 mm
- ⑳ Ø 20 mm
- ㉑ Ø 21 mm
- ㉒ Ø 22 mm
- ㉓ Ø 23 mm
- ㉔ Ø 24,5 mm
- ㉘ Ø 28,5 mm
- ㉚ Ø 32 mm
- ㉜ Ø 52 mm



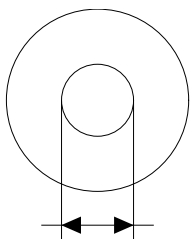
| POS | PARTNUMBER | PARTNAME | PIECE |
|-----|------------|---------------------|-------|
| 5 | 44906890 | WASHER 5X15X2 | X |
| 6 | 40540400 | SHIM 6X12X0,1 | X |
| 6 | 40540401 | SHIM 6X14X0,1 | X |
| 6 | 40540402 | SHIM 6X16X0,1 | X |
| 6 | 40540403 | SHIM 6X18X0,1 | X |
| 6 | 40540404 | SHIM 6X12X0,15 | X |
| 6 | 40540405 | SHIM 6X14X0,15 | X |
| 6 | 40540406 | SHIM 6X16X0,15 | X |
| 6 | 40540407 | SHIM 6X18X0,15 | X |
| 6 | 40540408 | SHIM 6X12X0,2 | X |
| 6 | 40540409 | SHIM 6X14X0,2 | X |
| 6 | 40540410 | SHIM 6X16X0,2 | X |
| 6 | 40540411 | SHIM 6X18X0,2 | X |
| 6 | 48600095 | * SHIM 6X20X0,20 | X |
| 6 | 40540412 | SHIM 6X12X0,25 | X |
| 6 | 40540413 | SHIM 6X14X0,25 | X |
| 6 | 40540414 | SHIM 6X16X0,25 | X |
| 6 | 40540415 | SHIM 6X18X0,25 | X |
| 6 | 40540417 | SHIM 6X8,5X0,10 | X |
| 6 | 40540418 | SHIM 6X9X0,10 | X |
| 6 | 40540419 | SHIM 6X9,5X0,10 | X |
| 6 | 40540423 | SHIM 6X9,5X0,15 | X |
| 6 | 40540425 | SHIM 6X8,5X0,20 | X |
| 6 | 40540426 | SHIM 6X9X0,20 | X |
| 6 | 40540427 | SHIM 6X9,5X0,20 | X |
| 6 | 40540447 | SHIM 6X10X0,3 | X |
| 6 | 40540449 | SHIM 6X9X0,3 | X |
| 6 | 40540450 | SHIM 6X9,5X0,3 | X |
| 6 | 40540494 | SHIM 6X18X0,4 | X |
| 6 | 40540774 | SHIM 6X18X0,1 DELTA | X |
| 6 | 40541383 | SHIM 6X11X0,1 | X |
| 6 | 40541391 | SHIM 6X11X0,3 | X |
| 6 | 40541402 | SHIM 6X11X0,2 | X |
| 6 | 40541403 | SHIM 6X10X0,20 | X |
| 6 | 40541404 | SHIM 6X10X0,1 | X |
| 6 | 40541405 | SHIM 6X10X0,15 | X |
| 6 | 40541406 | SHIM 6X11X0,15 | X |
| 6 | 40541408 | SHIM 6X8,0X0,30 | X |

080000190

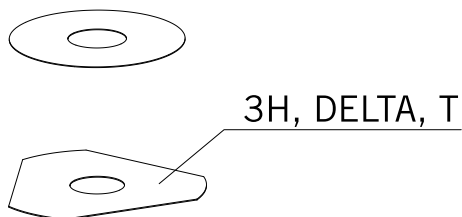
C130009090

* NEW PART

X ON DEMAND



- ⑤ Ø 5 mm
- ⑥ Ø 6 mm
- ⑧ Ø 8 mm
- ⑩ Ø 10 mm
- ⑫ Ø 12 mm
- ⑭ Ø 14-14,5 mm
- ⑯ Ø 16 mm
- ⑳ Ø 20 mm
- ㉑ Ø 21 mm
- ㉒ Ø 22 mm
- ㉓ Ø 23 mm
- ㉔ Ø 24,5 mm
- ㉘ Ø 28,5 mm
- ㉚ Ø 32 mm
- ㉜ Ø 52 mm



| POS | PARTNUMBER | PARTNAME | PIECE |
|-----|------------|----------------------|-------|
| 6 | 40541414 | SHIM 6X8,0X0,10 | X |
| 6 | 40541416 | SHIM 6X8X0,3 | X |
| 6 | 40541417 | SHIM 6X11X0,25 | X |
| 6 | 48600102 | * SHIM 6X24X0,25 | X |
| 6 | 48600063 | SHIM 6X24X0,1 | X |
| 6 | 48600064 | SHIM 6X22X0,1 | X |
| 6 | 48600065 | SHIM 6X20X0,1 | X |
| 6 | 48600069 | SHIM 6X20X0,15 | X |
| 6 | 48600100 | SHIM 6X24X0,15 | X |
| 6 | 48600116 | SHIM 6X24X0,1 DELTA | X |
| 6 | 48600139 | SHIM 6X22X0,1 DELTA | X |
| 6 | 48600217 | BACKPLATE 6X10X0,25 | X |
| 6 | 48600325 | SHIM 6X13X0,1 | X |
| 6 | 48600327 | SHIM 6X15X0,1 | X |
| 6 | 48600329 | SHIM 6X17X0,1 | X |
| 6 | 48600331 | SHIM 6X19X0,1 | X |
| 6 | 48600096 | * SHIM 6X20X0,25 | X |
| 6 | 48600097 | SHIM 6X22X0,15 | X |
| 6 | 48600099 | * SHIM 6X22X0,25 | X |
| 6 | 40540448 | BACKPLATE 6X8,5X0,30 | X |
| 6 | 48600479 | SHIM 6X20X0,1 T/3H | X |
| 6 | 48600332 | SHIM 6X21X0,1 | X |
| 6 | 48600333 | SHIM 6X23X0,1 | X |
| 6 | 40541393 | * SHIM 6X12X0,3 | X |
| 6 | 48600330 | SHIM 6X17X0,15 | X |
| 6 | 48600988 | SHIM 6X28X0,10 | X |
| 6 | 48600989 | SHIM 6X26X0,10 | X |
| 6 | 48601091 | SHIM 6X28X0,15 | X |
| 6 | 48601093 | SHIM 6X26X0,15 | X |
| 8 | 40540477 | SHIM 8X18X0,4 | X |
| 8 | 43570120 | SHIM 8X18X0,10 | X |
| 8 | 44916098 | WASHER 8,4X16X0,8 | X |
| 8 | 44916130 | WASHER 8,2X15X1 | X |
| 8 | 44916180 | WASHER 8,2X11X1 | X |
| 8 | 48600214 | SHIM 8X16X0,1 | X |
| 8 | 48600346 | SHIM 8X11X0,2 | X |
| 8 | 48600215 | CHECK VALVE 8X20X0,1 | X |
| 8 | 48600061 | CHECK VALVE 8X24X0,4 | X |

080000190

C130009090

* NEW PART

X ON DEMAND



- ⑤ Ø 5 mm
- ⑥ Ø 6 mm
- ⑧ Ø 8 mm
- ⑩ Ø 10 mm
- ⑫ Ø 12 mm
- ⑭ Ø 14-14,5 mm
- ⑯ Ø 16 mm
- ⑰ Ø 20 mm
- ⑱ Ø 21 mm
- ⑳ Ø 22 mm
- ㉑ Ø 23 mm
- ㉒ Ø 24,5 mm
- ㉔ Ø 28,5 mm
- ㉖ Ø 32 mm
- ㉘ Ø 52 mm



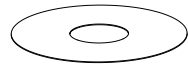
| POS | PARTNUMBER | PARTNAME | PIECE |
|-----|------------|------------------------|-------|
| 8 | 4860062 | CHECK VALVE 8X24X0,1 | X |
| 8 | 48600216 | CHECK VALVE 8X22X0,1 | X |
| 8 | 48600480 | SHIM 8X10X0,20 | X |
| 8 | 48600555 | SHIM 8X16X0,20 | X |
| 8 | 48600213 | SHIM 8X14X0,10 | X |
| 8 | 48600357 | CHECK VALVE 8X11X0,1 | X |
| 8 | 48600351 | CHECK VALVE 8X12X0,1 | X |
| 8 | 48600607 | SHUTTLE VALVE 8X20X0,4 | X |
| 8 | 48601095 | SHIM 8X17X0,10 | X |
| 8 | 48600218 | BACKPLATE 8X11X0,40 | X |
| 10 | 36120284 | SHIM 10X16X0,10 | X |
| 10 | 36120298 | SHIM 10X16X0,2 | X |
| 10 | 36120312 | SHIM 10X16X0,30 | X |
| 10 | 36120314 | SHIM 10X18X0,30 | X |
| 10 | 36120325 | SHIM 10X19X0,15 | X |
| 10 | 36120327 | SHIM 10X23X0,15 | X |
| 10 | 36120328 | SHIM 10X25X0,15 | X |
| 10 | 36120329 | SHIM 10X27X0,15 | X |
| 10 | 36120330 | SHIM 10X29X0,15 | X |
| 10 | 36120331 | SHIM 10X31X0,15 | X |
| 10 | 36120332 | SHIM 10X33X0,15 | X |
| 10 | 36120334 | SHIM 10X21X0,20 | X |
| 10 | 36120335 | SHIM 10X23X0,20 | X |
| 10 | 36120336 | SHIM 10X25X0,20 | X |
| 10 | 36120337 | SHIM 10X27X0,20 | X |
| 10 | 36120338 | SHIM 10X29X0,20 | X |
| 10 | 36120339 | SHIM 10X31X0,20 | X |
| 10 | 36120340 | SHIM 10X33X0,20 | X |
| 10 | 36120342 | SHIM 10X21X0,25 | X |
| 10 | 36120343 | SHIM 10X23X0,25 | X |
| 10 | 36120344 | SHIM 10X25X0,25 | X |
| 10 | 36120345 | SHIM 10X27X0,25 | X |
| 10 | 36120349 | SHIM 10X19X0,30 | X |
| 10 | 36120350 | SHIM 10X21X0,30 | X |
| 10 | 40140275 | WASHER 10X35X0,15 | X |
| 10 | 36120346 | * SHIM 10X29X0,25 | X |
| 10 | 50180010 | * SHIM 16X24X0,10 | X |
| 10 | 36120604 | SHIM D10XD22X2,5 | X |

080000190

C130009090

* NEW PART

X ON DEMAND



3H, DELTA, T

- ⑤ Ø 5 mm
- ⑥ Ø 6 mm
- ⑧ Ø 8 mm
- ⑩ Ø 10 mm
- ⑫ Ø 12 mm
- ⑭ Ø 14-14,5 mm
- ⑯ Ø 16 mm
- ⑳ Ø 20 mm
- ㉑ Ø 21 mm
- ㉒ Ø 22 mm
- ㉓ Ø 23 mm
- ㉔ Ø 24,5 mm
- ㉘ Ø 28,5 mm
- ㉚ Ø 32 mm
- ㉜ Ø 52 mm

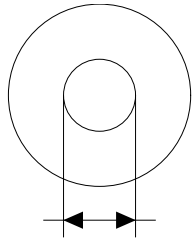
| POS | PARTNUMBER | PARTNAME | PIECE |
|-----|------------|----------------------|-------|
| 12 | 46810490 | SHIM 12X24X0,20 | X |
| 12 | 46810491 | SHIM 12X26X0,20 | X |
| 12 | 46810492 | SHIM 12X28X0,20 | X |
| 12 | 46810493 | SHIM 12X30X0,20 | X |
| 12 | 46810494 | SHIM 12X32X0,20 | X |
| 12 | 46810495 | SHIM 12X34X0,20 | X |
| 12 | 46810496 | SHIM 12X36X0,20 | X |
| 12 | 46810497 | SHIM 12X38X0,20 | X |
| 12 | 46810498 | SHIM 12X40X0,20 | X |
| 12 | 46810499 | SHIM 12X24X0,25 | X |
| 12 | 46810500 | SHIM 12X26X0,25 | X |
| 12 | 46810501 | SHIM 12X28X0,25 | X |
| 12 | 46810502 | SHIM 12X30X0,25 | X |
| 12 | 46810504 | SHIM 12X34X0,25 | X |
| 12 | 46810505 | SHIM 12X36X0,25 | X |
| 12 | 46810507 | SHIM 12X40X0,25 | X |
| 12 | 46810508 | SHIM 12X24X0,30 | X |
| 12 | 46810509 | SHIM 12X26X0,30 | X |
| 12 | 46810510 | SHIM 12X28X0,30 | X |
| 12 | 46810512 | SHIM 12X32X0,30 | X |
| 12 | 46810513 | SHIM 12X34X0,30 | X |
| 12 | 46810518 | SHIM 12X26X0,15 | X |
| 12 | 46810519 | SHIM 12X28X0,15 | X |
| 12 | 46810520 | SHIM 12X30X0,15 | X |
| 12 | 46810521 | SHIM 12X32X0,15 | X |
| 12 | 46810522 | SHIM 12X34X0,15 | X |
| 12 | 46810523 | SHIM 12X36X0,15 | X |
| 12 | 46810524 | SHIM 12X38X0,15 | X |
| 12 | 46810525 | SHIM 12X40X0,15 | X |
| 12 | 46810604 | SHIM 12X20X0,10 | X |
| 12 | 46810606 | SHIM 12X22X0,10 | X |
| 12 | 46810607 | SHIM 12X23X0,10 | X |
| 12 | 46810608 | SHIM 12X24X0,10 | X |
| 12 | 46810610 | SHIM 12X27X0,15 | X |
| 12 | 46810611 | SHIM 12X18X0,15 | X |
| 12 | 46810612 | SHIM 12X19X0,15 | X |
| 12 | 46810615 | SHIM 12X22X0,15 | X |
| 12 | 46810636 | BACKPLATE 12X16X0,30 | X |

080000190

C130009090

* NEW PART

X ON DEMAND



3H, DELTA, T

- ⑤ Ø 5 mm
- ⑥ Ø 6 mm
- ⑧ Ø 8 mm
- ⑩ Ø 10 mm
- ⑫ Ø 12 mm
- ⑭ Ø 14-14,5 mm
- ⑯ Ø 16 mm
- ⑳ Ø 20 mm
- ㉑ Ø 21 mm
- ㉒ Ø 22 mm
- ㉓ Ø 23 mm
- ㉔ Ø 24,5 mm
- ㉘ Ø 28,5 mm
- ㉚ Ø 32 mm
- ㉜ Ø 52 mm

| POS | PARTNUMBER | PARTNAME | PIECE |
|-----|------------|----------------------|-------|
| 12 | 46810637 | BACKPLATE 12X17X0,30 | X |
| 12 | 46810638 | BACKPLATE 12X18X0,30 | X |
| 12 | 46810639 | SHIM 12X19X0,30 | X |
| 12 | 46810641 | BACKPLATE 12X21X0,30 | X |
| 12 | 46811582 | BACKPLATE 12X30X0,10 | X |
| 12 | 46810631 | SHIM 12X20X0,25 | X |
| 12 | 46810633 | SHIM 12X22X0,25 | X |
| 12 | 46811580 | SHIM 12X32X0,10 | X |
| 12 | 46810503 | SHIM 12X32X0,25 | X |
| 12 | 46810517 | * SHIM 12X24X0,15 | X |
| 12 | 46810640 | SHIM 12X20X0,30 | X |
| 12 | 46811258 | RING 12X24X2,5 | X |
| 14 | 46811046 | SHIM 14,5X35,4X1,25 | X |
| 16 | 50180023 | * SHIM 16X23X0,20 | X |
| 16 | 50180030 | SHIM | X |
| 16 | 50180006 | BACKPLATE 16X20X0,10 | X |
| 16 | 50180007 | SHIM 16X21X0,10 | X |
| 16 | 50180028 | SHIM 16X21X0,25 | X |
| 16 | 50180210 | WASHER 16X21X1 | X |
| 16 | 50180008 | SHIM 16X22X0,10 | X |
| 16 | 50180022 | SHIM 16X22X0,20 | X |
| 16 | 50180037 | SHIM 16X23X0,30 | X |
| 16 | 50180038 | SHIM 16X24X0,30 | X |
| 16 | 50180032 | SHIM 15X25X0,25 | X |
| 16 | 50180039 | SHIM 16X25X0,30 | X |
| 16 | 50180012 | SHIM 16X26X0,10 | X |
| 16 | 50180019 | SHIM 16X26X0,15 | X |
| 16 | 50180026 | SHIM 16X26X0,20 | X |
| 16 | 50180040 | SHIM 16X26X0,30 | X |
| 16 | 50180041 | SHIM 16X28X0,10 | X |
| 16 | 50180045 | SHIM 16X28X0,15 | X |
| 16 | 50180054 | SHIM 16X28X0,20 | X |
| 16 | 50180063 | SHIM 16X28X0,25 | X |
| 16 | 50180072 | SHIM 16X28X0,30 | X |
| 16 | 50180046 | SHIM 16X30X0,15 | X |
| 16 | 50180055 | SHIM 16X30X0,20 | X |
| 16 | 50180064 | SHIM 16X30X0,25 | X |
| 16 | 50180073 | SHIM 16X30X0,30 | X |

080000190

C130009090

* NEW PART

X ON DEMAND



- ⑤ Ø 5 mm
- ⑥ Ø 6 mm
- ⑧ Ø 8 mm
- ⑩ Ø 10 mm
- ⑫ Ø 12 mm
- ⑭ Ø 14-14,5 mm
- ⑯ Ø 16 mm
- ⑳ Ø 20 mm
- ㉑ Ø 21 mm
- ㉒ Ø 22 mm
- ㉓ Ø 23 mm
- ㉔ Ø 24,5 mm
- ㉘ Ø 28,5 mm
- ㉚ Ø 32 mm
- ㉜ Ø 52 mm



| POS | PARTNUMBER | PARTNAME | PIECE |
|-----|------------|----------------------|-------|
| 16 | 50180047 | SHIM 16X32X0,15 | X |
| 16 | 50180056 | SHIM 16X32X0,20 | X |
| 16 | 50180065 | SHIM 16X32X0,25 | X |
| 16 | 50180074 | SHIM 16X32X0,30 | X |
| 16 | 50180044 | SHIM 16X34X0,10 | X |
| 16 | 50180048 | SHIM 16X34X0,15 | X |
| 16 | 50180057 | SHIM 16X34X0,20 | X |
| 16 | 50180066 | SHIM 16X34X0,25 | X |
| 16 | 50180075 | SHIM 16X34X0,30 | X |
| 16 | 50180049 | SHIM 16X36X0,15 | X |
| 16 | 50180058 | SHIM 16X36X0,20 | X |
| 16 | 50180067 | SHIM 16X36X0,25 | X |
| 16 | 50180076 | SHIM 16X36X0,30 | X |
| 16 | 50180050 | SHIM 16X38X0,15 | X |
| 16 | 50180059 | SHIM 16X38X0,20 | X |
| 16 | 50180068 | SHIM 16X38X0,25 | X |
| 16 | 50180077 | SHIM 16X38X0,30 | X |
| 16 | 50180051 | SHIM 16X40X0,15 | X |
| 16 | 50180060 | SHIM 16X40X0,20 | X |
| 16 | 50180069 | SHIM 16X40X0,25 | X |
| 16 | 50180078 | SHIM 16X40X0,30 | X |
| 16 | 50180052 | SHIM 16X42X0,15 | X |
| 16 | 50180061 | SHIM 16X42X0,20 | X |
| 16 | 50180070 | SHIM 16X42X0,25 | X |
| 16 | 50180079 | SHIM 16X42X0,30 | X |
| 16 | 50180053 | SHIM 16X44X0,15 | X |
| 16 | 50180062 | SHIM 16X44X0,20 | X |
| 16 | 50180071 | SHIM 16X44X0,25 | X |
| 16 | 50180080 | SHIM 16X44X0,30 | X |
| 16 | 50180177 | WASHER 16X8,2X0,6 | X |
| 16 | 50180033 | SHIM 16X26X0,25 | X |
| 16 | 50180034 | BACKPLATE 16X20X0,30 | X |
| 16 | 50180035 | BACKPLATE 16X21X0,30 | X |
| 16 | 50180036 | BACKPLATE 16X22X0,30 | X |
| 16 | 50180043 | SHIM | X |
| 16 | 50180024 | * SHIM 16X24X0,20 | X |
| 16 | 50180027 | * SHIM 16X20X0,25 | X |
| 16 | 50180031 | SHIM | X |

080000190

C130009090

* NEW PART

X ON DEMAND



- ⑤ Ø 5 mm
- ⑥ Ø 6 mm
- ⑧ Ø 8 mm
- ⑩ Ø 10 mm
- ⑫ Ø 12 mm
- ⑭ Ø 14-14,5 mm
- ⑯ Ø 16 mm
- ⑳ Ø 20 mm
- ㉑ Ø 21 mm
- ㉒ Ø 22 mm
- ㉓ Ø 23 mm
- ㉔ Ø 24,5 mm
- ㉘ Ø 28,5 mm
- ㉚ Ø 32 mm
- ㉜ Ø 52 mm



| POS | PARTNUMBER | PARTNAME | PIECE |
|-----|------------|-----------------------------|-------|
| 20 | 48600212 | PRESSURE-RING 20X16,25X0,20 | X |
| 20 | 50180666 | SHIM 20X24X0,30 | X |
| 20 | 50180654 | SHIM 20X36X0,20 | X |
| 20 | 50180655 | SHIM 20X38X0,20 | X |
| 20 | 50180656 | SHIM 20X40X0,20 | X |
| 20 | 50180665 | SHIM 20X40X0,25 | X |
| 20 | 50180662 | SHIM 20X34X0,25 | X |
| 20 | 50180657 | SHIM 20X24X0,25 | X |
| 20 | 50180653 | SHIM 20X34X0,20 | X |
| 20 | 50180634 | RING 20X22,9X1 | X |
| 20 | 50180650 | SHIM 20,2X28X0,20 | X |
| 20 | 50180663 | SHIM 20X36X0,25 | X |
| 20 | 50180664 | SHIM 20X38X0,25 | X |
| 20 | 50180659 | SHIM 20,2X28X0,25 | X |
| 21 | 50180209 | WASHER 21X36X0,25 | X |
| 22 | 50180330 | * PRESS. RING 22X18X0,30 | X |
| 23 | 50180635 | SHUTTLE VALVE 23X38X0,25 | X |
| 23 | 50180578 | SHIM D23XD16X2 | X |
| 24 | 40541061 | WASHER 24,5X34X2 | X |
| 28 | 36120469 | SHIM 28,5X14X2 | X |
| 28 | 36120471 | SHIM 28,5X14X5 | X |
| 32 | 48600460 | WASHER 32X42X2,5 | X |
| 32 | 50600065 | SHIM 32X45X2 | X |
| 32 | 46811637 | PRESSURE RING 36X32,25 | X |
| 52 | 50600002 | SHIM 52X59X2,2 | X |

080000190

C130009090

* NEW PART

X ON DEMAND

A large, empty rectangular box with a thin black border, occupying most of the page. It is intended for the user to write their notes.

A large, empty rectangular box with a thin black border, occupying most of the page. It is intended for the user to write their notes.



3CFF210100EN



Husqvarna Motorcycles GmbH
Stallhofnerstraße 3 | 5230 Mattighofen | Austria
www.husqvarna-motorcycles.com



THE PIONEERS OF MOTOCROSS