

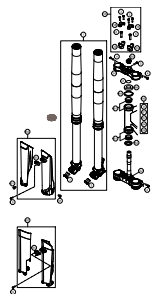
SPAREPARTSCATALOG

CHASSIS

ART.-NR.: 3CFF230101EN

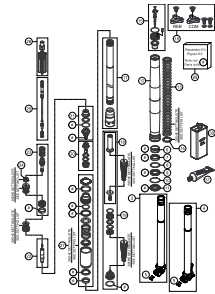
TC 250 EU 2015

FRONT FORK, TRIPLE CLAMP



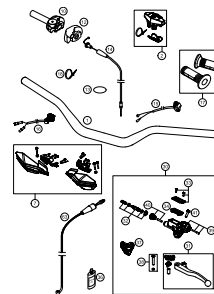
3

FRONT FORK DISASSEMBLED



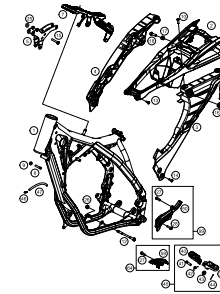
4

HANDLEBAR, CONTROLS



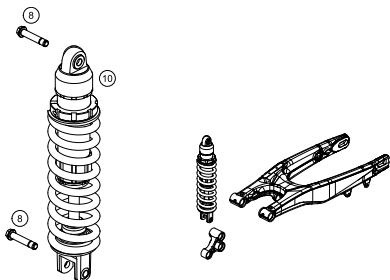
5

FRAME



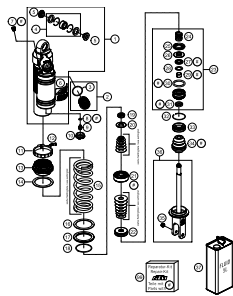
6

SHOCK ABSORBER



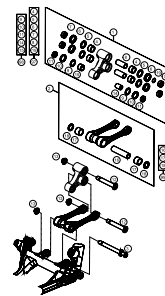
7

SHOCK ABSORBER DISASSEMBLED



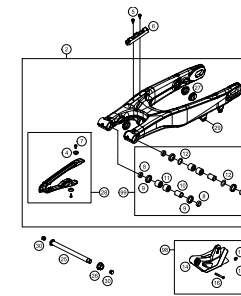
8

PRO LEVER LINKING



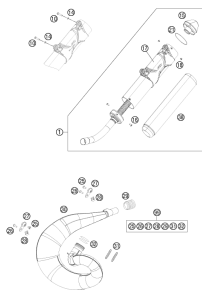
10

SWING ARM



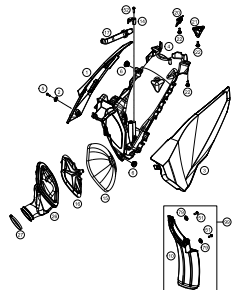
11

EXHAUST SYSTEM



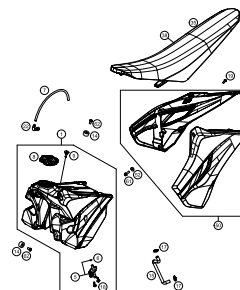
12

AIR FILTER



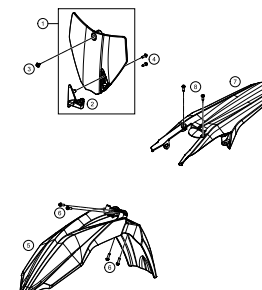
13

TANK, SEAT, COVER



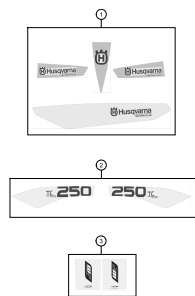
14

MASK, FENDERS



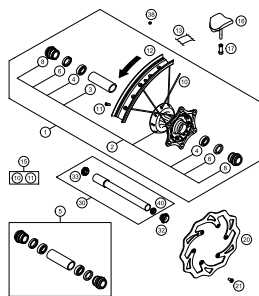
15

DECAL



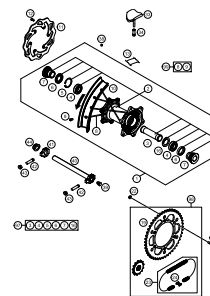
16

FRONT WHEEL



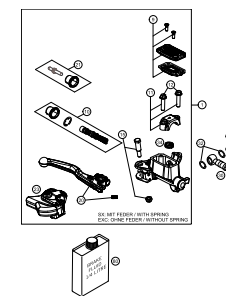
17

REAR WHEEL



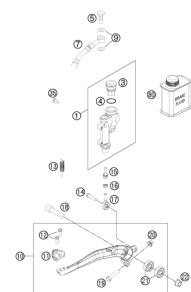
18

HAND BRAKE CYLINDER



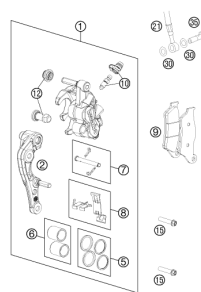
19

REAR BRAKE CONTROL



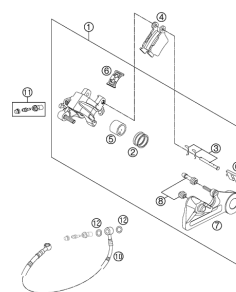
20

BRAKE CALIPER FRONT



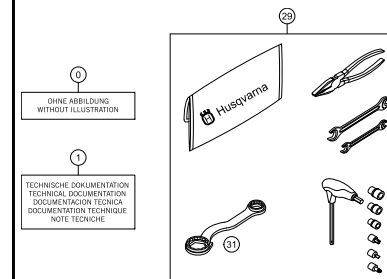
21

BRAKE CALIPER REAR



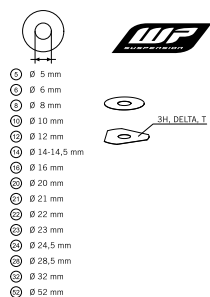
22

ACCESSORIES KIT



23

WP SHIMS FOR SETTING

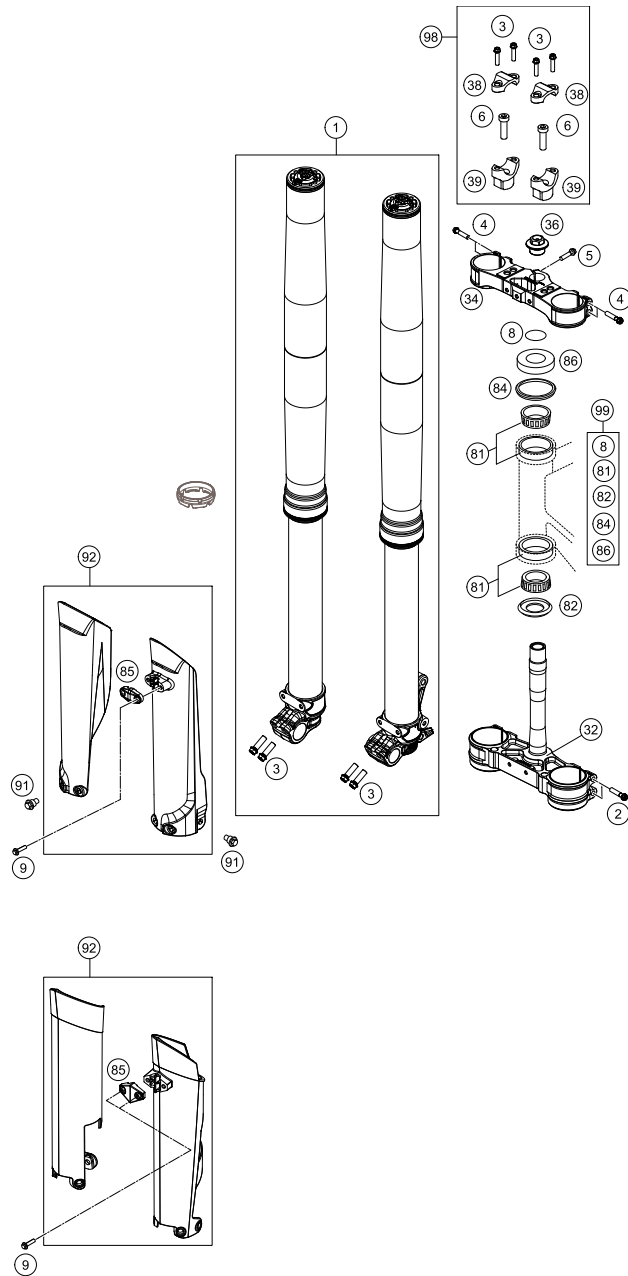


24



All information contained is without obligation. HUSQVARNA MOTORCYCLES GmbH particularly reserves the right to modify any equipment, technical specifications, prices, colors, shapes, materials, services, service work, constructions, equipment and the like so as to adapt them to local conditions or to cancel any of the above items, all without previous announcement and without giving reasons. KTM may stop manufacturing certain models without previous notice. HUSQVARNA MOTORCYCLES shall not be held liable for any deviations of availability and/or ability to deliver, illustrations, descriptions, printing and/or other errors. The illustrated models partly contain extra equipment, which is not applied to standard models.

© by HUSQVARNA MOTORCYCLES GmbH, Mattighofen AUSTRIA; All rights reserved; Reprint, also in extracts, with written allowance of HUSQVARNA MOTORCYCLES GmbH, Mattighofen only.



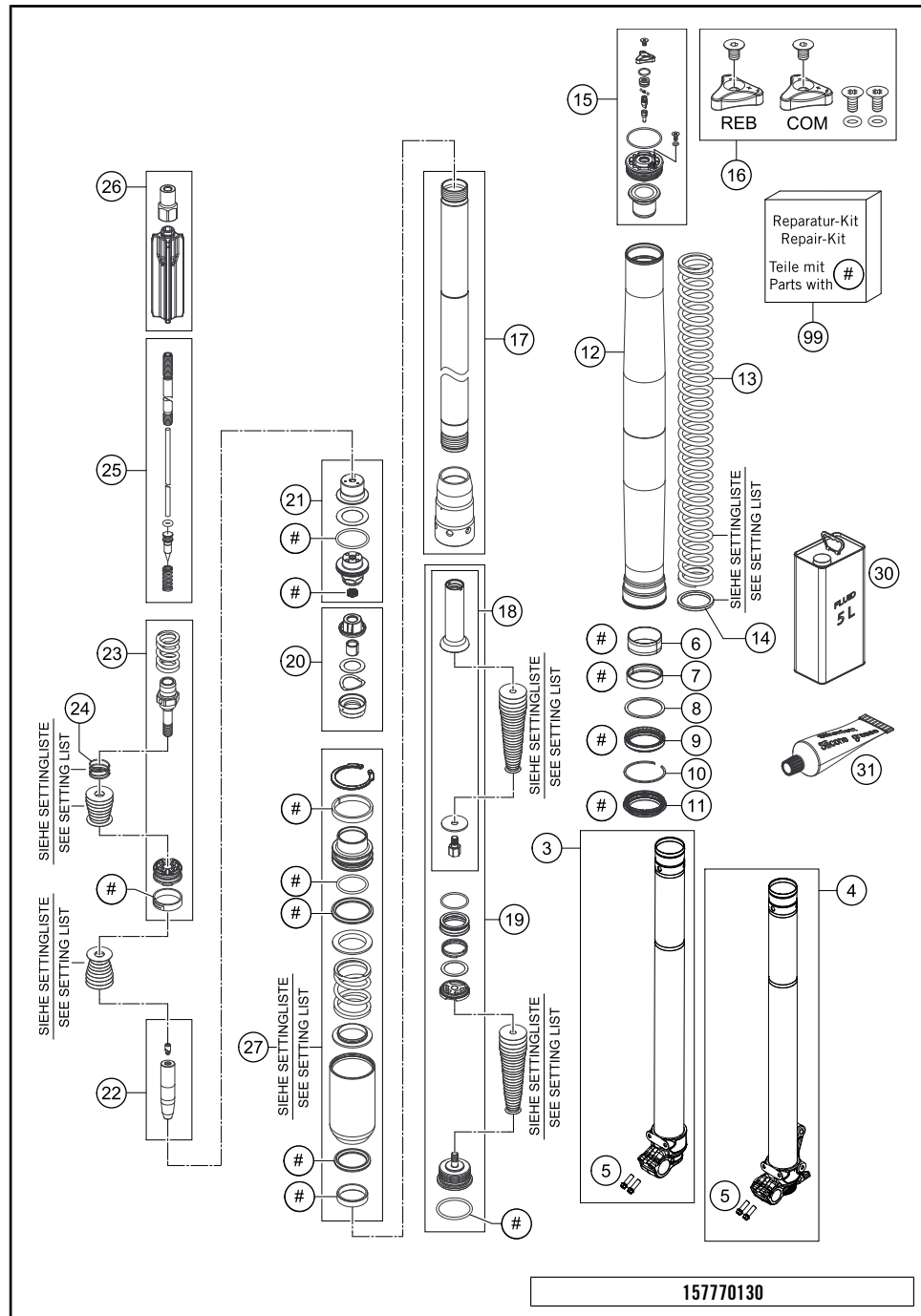
POS	PARTNUMBER	PARTNAME	PIECE
1*	2418705301	FORK 250 SX US / TC250 15	1
2	0025080506	HH COLLAR SCREW M8X50 TX40	4
3	0025080256	HH COLLAR SCREW M8X25 TX40	8
4	0025080406	HH COLLAR SCREW M8X40 TX40	4
5	0025080256S	HH COLLAR SCREW M8X25 TX40	1
6	0032100356S	AH-COLLAR SCREW M10X35 ISA45	2
8	0770025035	O-RING 25X3,55 NBR70 05	1
9	0017060206	SCREW F. PLASTIC K60X20AL SW6	2
32	7770103202230	TRIPLE CL. BOTT. CPL. X=22 BL.	1
34	7770103402230	% TRIPLE CLAMP TOP X=22 BLACK	1
36*	70009082000	AXLESCREW M20X1.5; SW17	1
38	77201038000	HANDLEBAR CLAMP 28MM	2
39	59401039032	HANDLEB.SUPP. D=28MM H=32MM 05	x
39	59401039037	HANDLEB.SUPP. D=28MM H=37MM 05	2
39	59401039042	HANDLEB.SUPP. D=28MM H=42MM 05	x
81	54201081100	TAPERED ROLLER BEARING CPL. 06	2
82	77701084000	O-RING SUPPORT W. SEALING LIP	1
84	54601184000	STEERING HEAD GASKET TOP	1
85*	77701085000DA	CLAMP BRAKE HOSE	1
86	78101086000	STEERING HEAD COVER	1
91	59001092050	SPECIAL SCREW M6X12,5 WS=8	6
92*	77701094000DA	FORK PROTECTION L/S+R/S	1
98	00050000921	HANDLEBAR SUPPORT KIT D28/H37	x
99	00050000930	STEERING HEAD REP. KIT 06-15	x

155030110

C158030111

* NEW PART

X ON DEMAND



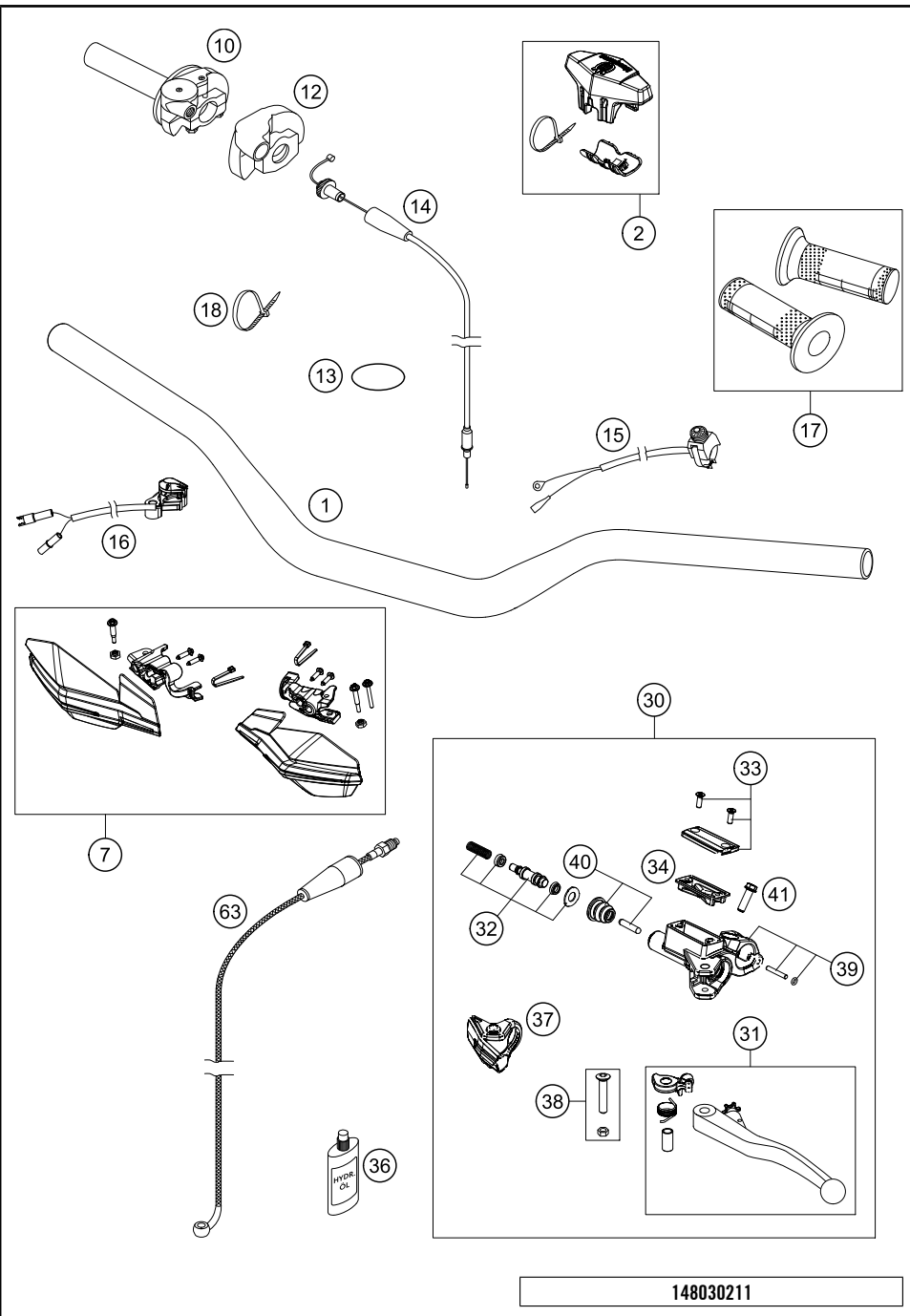
POS	PARTNUMBER	PARTNAME	PIECE
3	48601327S1	AXLE CLAMP R/S WITH INNER TUBE	1
4	48601326S1	AXLE CLAMP L/S WITH INNER TUBE	1
5	0025080256	HH COLLAR SCREW M8X25 TX40	4
6	48601008	GUIDING BUSH 47X49X20 R11	2
7	48601009	GUIDING BUSH 48X52X12 R11	2
8	48600013	SUPPORT RING 50 X 57,6 X 1,5	2
9	48601179	OIL SEALRING D48X57,9X11,4 RED	2
10	48600070	LOCK WASHER SB58	2
11	48601178	DUST SEAL DL48X58,4X5,7 RED	2
12	48600736	OUTER TUBE L577 D54/60MM 2L	2
13	91410100S	SPRING 4,0N/MM SET D=4,9MM	x
13	91410101S	SPRING 4,2N/MM SET D=4,9MM	x
13	91410102S	SPRING 4,4N/MM SET D=4,9MM	x
13	91410103S	SPRING 4,6N/MM SET D=4,9MM	x
13	91410104S	SPRING 4,8N/MM SET D=4,9MM	x
13	91410105S	SPRING 5,0N/MM SET D=4,9MM	x
14	48600456	SPACER 43X35X2,5	x
14	48600458	SPACER 43X35X1,5	x
15	48601116E	SCREW CAP M51X1,5 CPL.	1
15	48601050S	SCREW CAP M51X1,5 REB. KPL.	1
16	R14033	SCREW CAP SMALL PART KIT	1
17	48601031S	CARTRIDGE KIT	2
18	R14044	HYDROSTOP KIT	2
19	48601403S	BASE VALVE KIT	2
20	48601025S1	CHECK VALVE D21 CPL.	2
21	R14035	SCREW SLEEVE KIT	2
22	48601123S	NEEDLE KIT	2
23	R14045	TAP KIT	2
24	48600382	SHUTTLE VALVE SPRING C=0,4	2
25	48601343S	PISTON ROD CPL.	2
26	48601035S1	SPRING GUIDE CPL.	2
27	48601315S1	PRESSURE TANK FOR 24187073 CPL	x
27	48601315S2	PRESSURE TANK FOR 24187051 CPL	x
27	48601315S3	PRESSURE TANK FOR 24187057 CPL	x
30	48601166S1	FORK OIL SAE4 5L	1
31	T511	SILICONE GREASE F. DUST STRI	1
99	R24001	REPAIR - KIT	x

157770130

C157770130

* NEW PART

X ON DEMAND



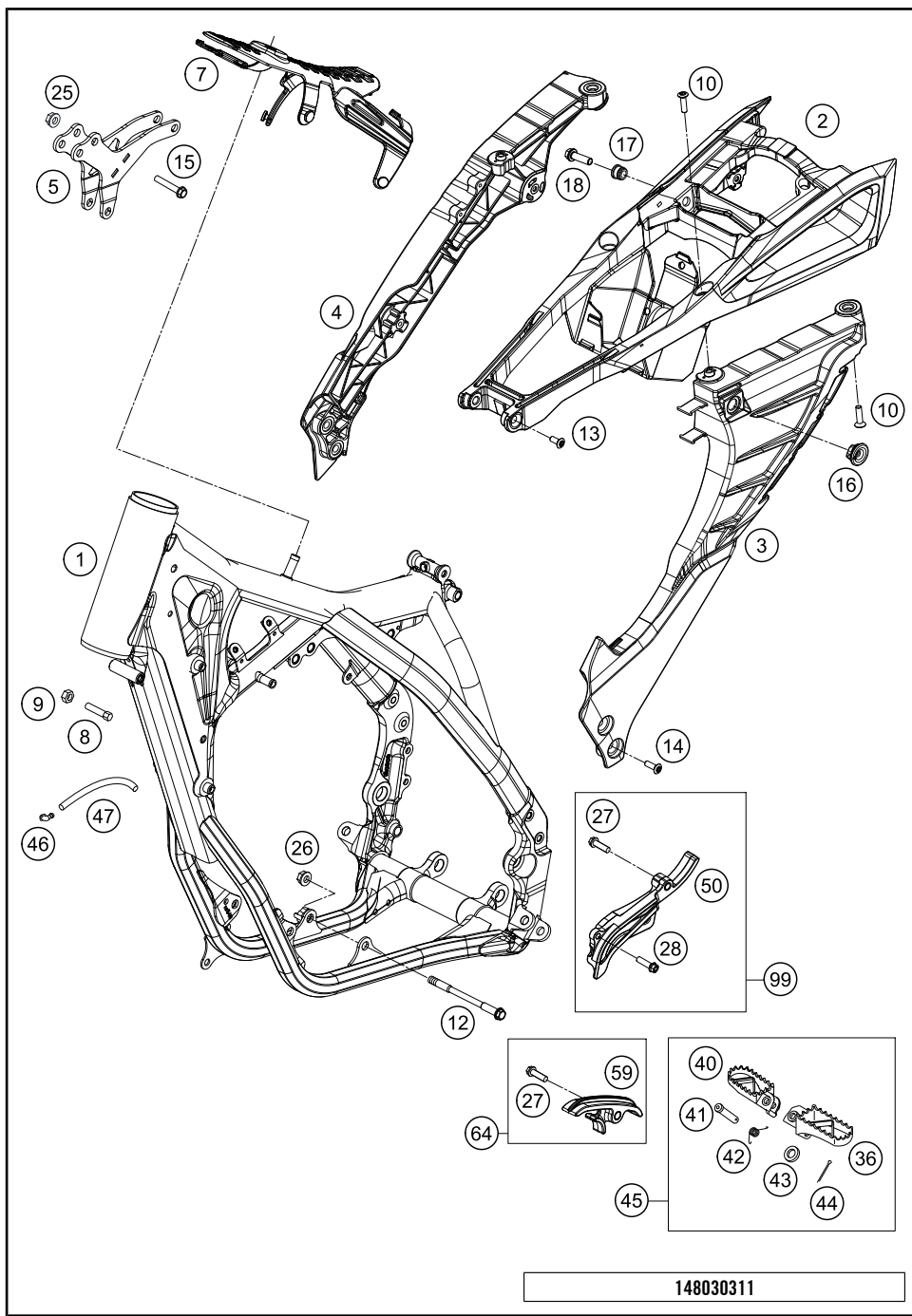
POS	PARTNUMBER	PARTNAME	PIECE
1*	7770200110030	HANDLEBAR BLACK	1
2*	80302602144	BAR PAD 2015	1
7	7770217900028	HAND GUARDS CPL. L/S+R/S WHITE	1
10	51502010200	THROTTLE GRIP CPL. 2ST. 13	1
12	50302020000	PROTECTION COVER '97	1
13*	0770049025	O-RING 49,00X2,50 NBR	1
14*	51502091200	THROTTLE CABLE 2-ST. 2014	1
15	50311089200	SHORT CIRCUIT BUTTON 02	1
16	51539974000	MAP SWITCH	1
17	80302021000	GRIP SET BLACK/WHITE	1
18	44011076200	CABLE TIE 200/3,6MM BLACK	1
30	50302030300	MASTER CYLINDER CPL. 9,5MM 09	1
31	50302031300	CLUTCH LEVER CPL. 2009	1
32	50302032100	REP.KIT PISTON 9,5MM 09	1
33	50302033200	COVER HYDR. CLUTCH CPL. 09	1
34	50302034100	RUBBER FOR RESERVOIR 09	1
36	50302036200	OIL FOR HYD. CLUTCH 100 ML	1
37	76502037000	PROTECT.CAP FOR LEVER PERCH 13	1
38	50302038200	LEVER SCREW SHORT CPL. 09	1
39	83013005000	CLAMP, CYL. PIN, O-RING	1
40	50302046000	PUSH ROD CPL. 09	1
41	0025060166	HH COLLAR SCREW M6X16 TX30	1
63	50332063200	CLUTCH PIPE L=970MM 04	1

148030211

C158030211

* NEW PART

X ON DEMAND



POS	PARTNUMBER	PARTNAME	PIECE
1	8030360100028	FRAME 250 TC 2014	1
2	8130300211030	SUB FRAME UPPER PART CPL. 14	1
3*	8130300222030	SUB FRAME L/S cpl.	1
4	8130300213030	SUB FRAME R/S CPL. 2014	1
5	54803613000	REINFORCING 250 SX CPL.	1
7	77207012000	TANK REST RUBBER	1
8	59001037000	SPECIAL SCREW M8X26 WS=10	2
9	0934080003	HEXAGON NUT DIN0934-M 8	2
10	0019080306S	COUNTER-SUNK SCREW ISA45 M8X30	4
12	54603013000	ENGINE BRAC.SCR. M10X105 WS=13	2
13	0035080306S	AH-COLLAR SCREW M8X30 ISA45	2
14	0035080206S	AH-COLLAR SCREW M8X20 ISA45	4
15	56530079000S	HH COLLAR SCREW M8X44 WS13	4
16	47106003160	QUICK CONNECTOR CLUTCH	3
17	81303002011	SPACER BUSHING 12X9X6,2	2
18	0025060206	HH COLLAR SCREW M6X20 TX30	2
25	06923080003	HEXAGON NUT DIN EN1661 M8 SW13	4
26	54310086100	SELF LOCKING NUT M10 CU WS=14	2
27	0025080306	HH COLLAR SCREW M8X30 TX40	2
28	0025060306	HH COLLAR SCREW M6X30 TX30	1
36	78003040050	FOOTREST L/S 08	1
40	78003041050	FOOTREST R/S 08	1
41	54803044000	BOLT FOR FOOT PED 03	2
42	54603041000	FOOTREST SPRING L/S & R/S	2
43	0125100003	WASHER DIN0125-A10,5	2
44	0094032253	PIN DIN0094-3,2X25 STEEL	2
45	78003040033	FOOTREST L/S + R/S CPL. 09	1
46	50303089000	ANGLE PIECE '97	1
47	55007016001	PVC-HOSE 7X10 PER METER	0
50	54803096000	SPROCKET COVER 250 SX 07	1
59	77203053000	CHAIN SLIDING PIECE BELOW	1
64	77203053010	CHAIN SLIDING KIT BELOW CPL.11	1
99	54803096010	SPROCKET COVER KIT	1

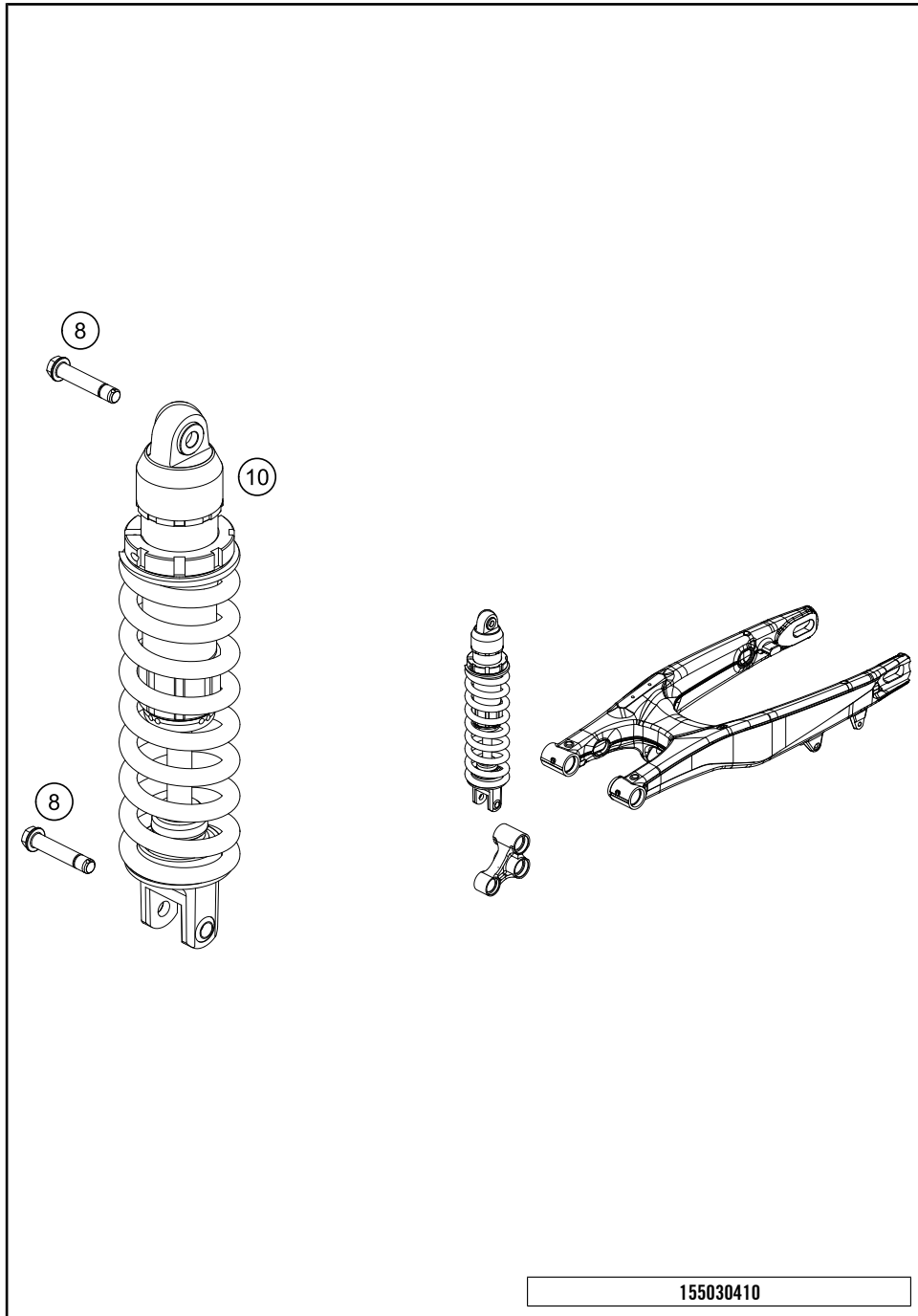
148030311

C158030311

* NEW PART X ON DEMAND

SHOCK ABSORBER

TC 250 EU 2015



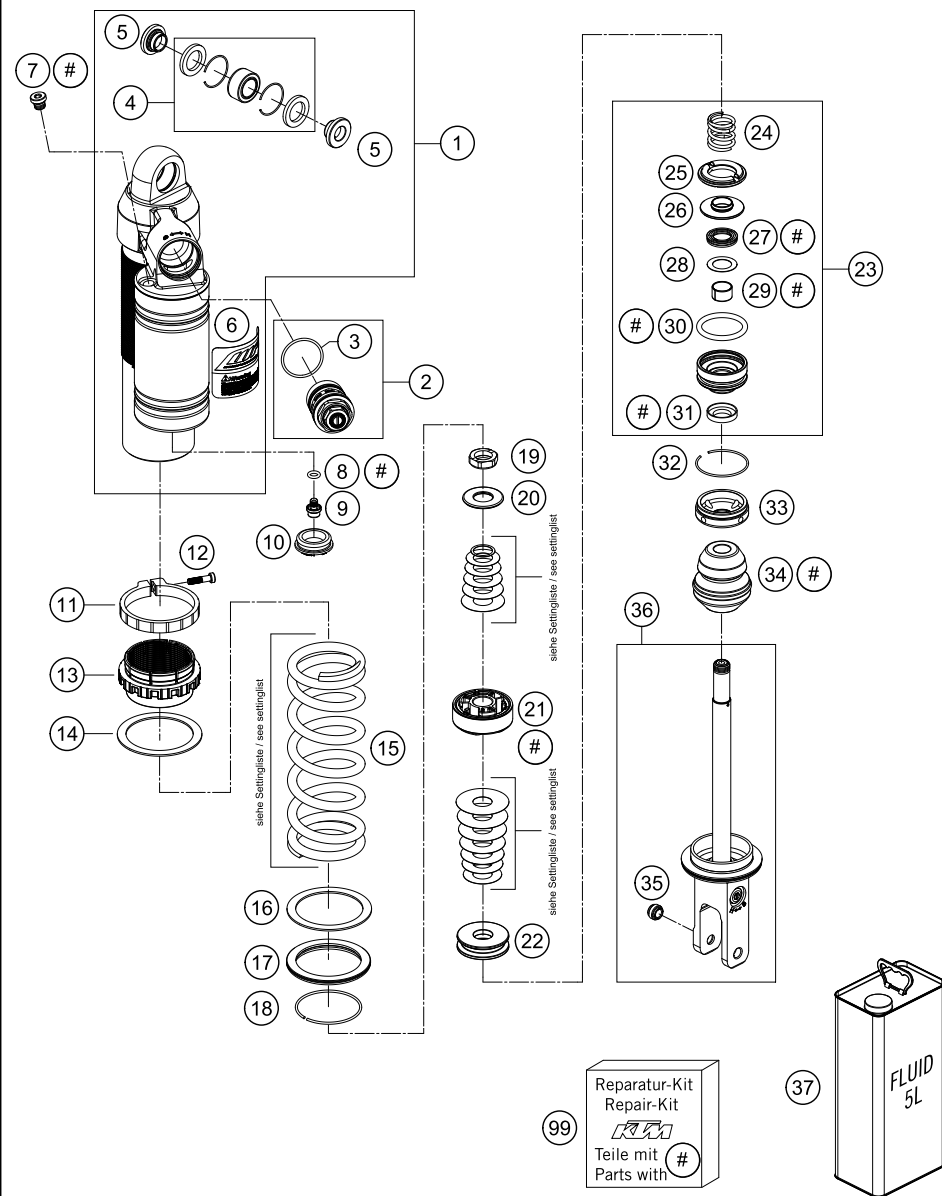
POS	PARTNUMBER	PARTNAME	PIECE
8	77204089000	HH COLLAR SCREW M10X52 SW13	2
10*	1818705301	MONOSHOCK 250 SX/TC 250 15	1

155030410

C155480411

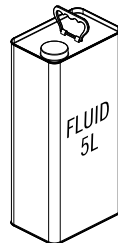
* NEW PART

X ON DEMAND



POS	PARTNUMBER	PARTNAME	PIECE
1	50180944S1	MONOSHOCK UPPER PART CPL.	1
2	50180213S21	DCC COMPR. DAMP. CON. CPL. 13	1
3	50180218	O-RING 25X1,5 VITON	1
4	R12012	REP. KIT BEAR./SEAL UP. 07	1
5	46180010	BUSH KGW 10X24	2
6	52000087	STICKER WP MONOSHOCK	1
7	50180095	BLEED PLUG R 1/8	1
8	46810893	O-RING NBR 5,28X1,78	1
9	36120151	SCREW PLUG M5X6	1
10	46811208	RUBBER CAP "DO NOT OPEN"	1
11	50180937	TENSIONING RING D64 H10	1
12	14460042	%ALLENHEAD SCREW M5 L=20 STAIN	1
13	50180938	ADJUSTING NUT PLASTIC	1
14	50180114	SPACER RING FOR SPRING	1
15	91210102S	SPRING 260 51 N/MM	x
15	91210103S	SPRING 260 54 N/MM	x
15	91210104S	SPRING 260 57 N/MM	x
16	50180793	SPACER RING ADJUSTING NUT	1
17	50180824	VALVE SPRING D80 CLOSED	1
18	50180273	CIRCLIP 58,2X2	1
19	50180141	PISTON ROD NUT M16X1	1
20	50180836	REBOUND DISC 16X34 T2 H0	1
21	50180786E	PISTON D50	1
22	50180801	REBOUND DISC D16X43 H8	1
23	50180603S3	ADAPTER D50 H28 CPL.	1
24	50180780	REBOUND SPRING	1
25	50180798	REBOUND RUBBER	1
26	50180800	SPRING RING	1
27	50180605S	SEAL D18X30X5 08	1
28	50180604	SHIM D29,75 X D19 X T0,4 08	1
29	50180974	DU-BUSHING 18X20X12	1
30	50180103	O-RING 41X5	1
31	50180606	DUST SEAL 1828 08	1
32	50180126	CIRCLIP 53X1,75	1
33	50180626	RESERVOIR CAP D=50 H=10 09	1
34	50180775	BUMP RUBBER	1
35	46811205	ADAPTOR-BUSH M10x1,50, D=15	1
36	50180773SA	MONOSHOCK BOTTOM PART CPL.	1

99 Reparatur-Kit
Repair-Kit
Teile mit
Parts with



148130430

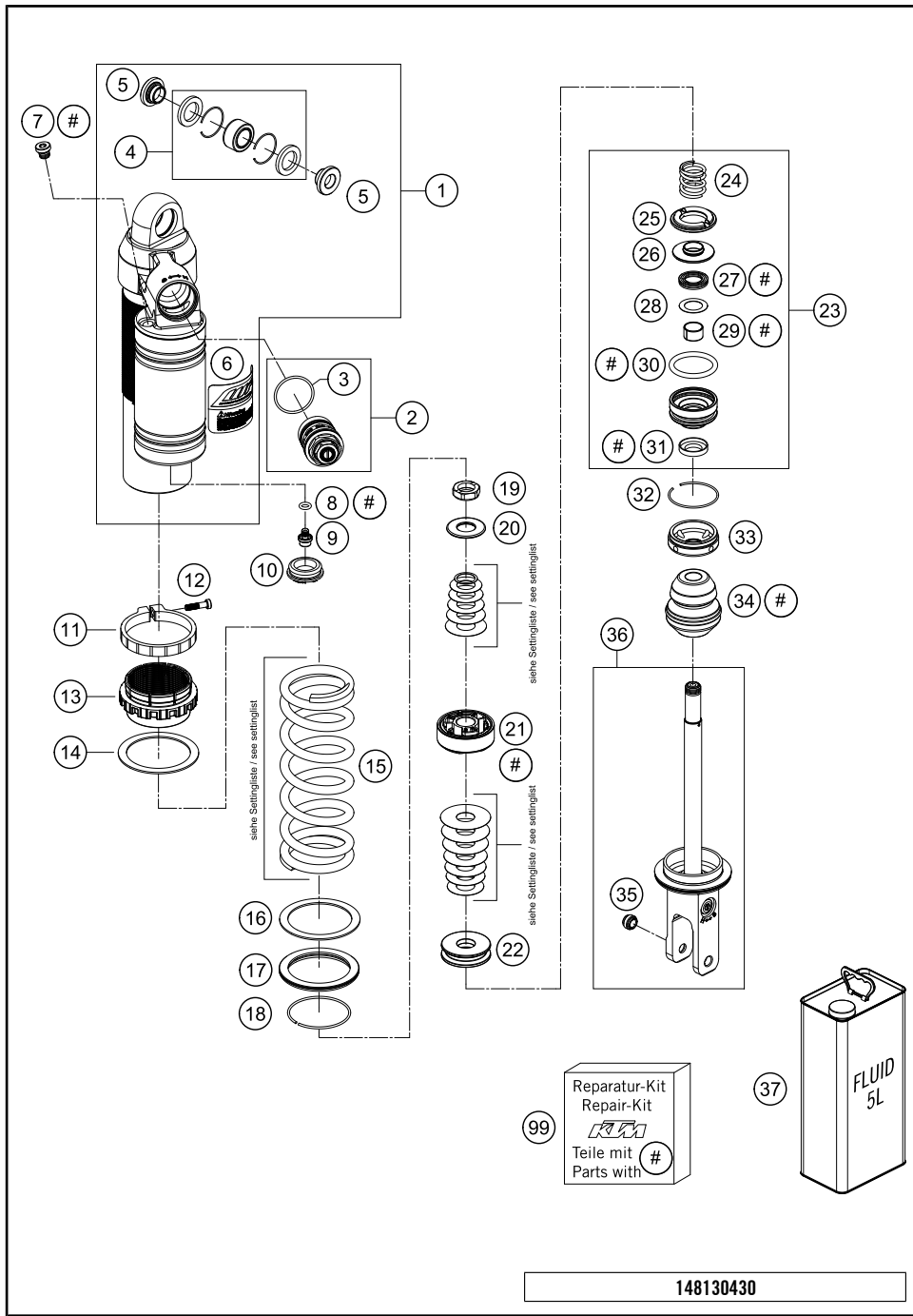
C155030430

* NEW PART

X ON DEMAND

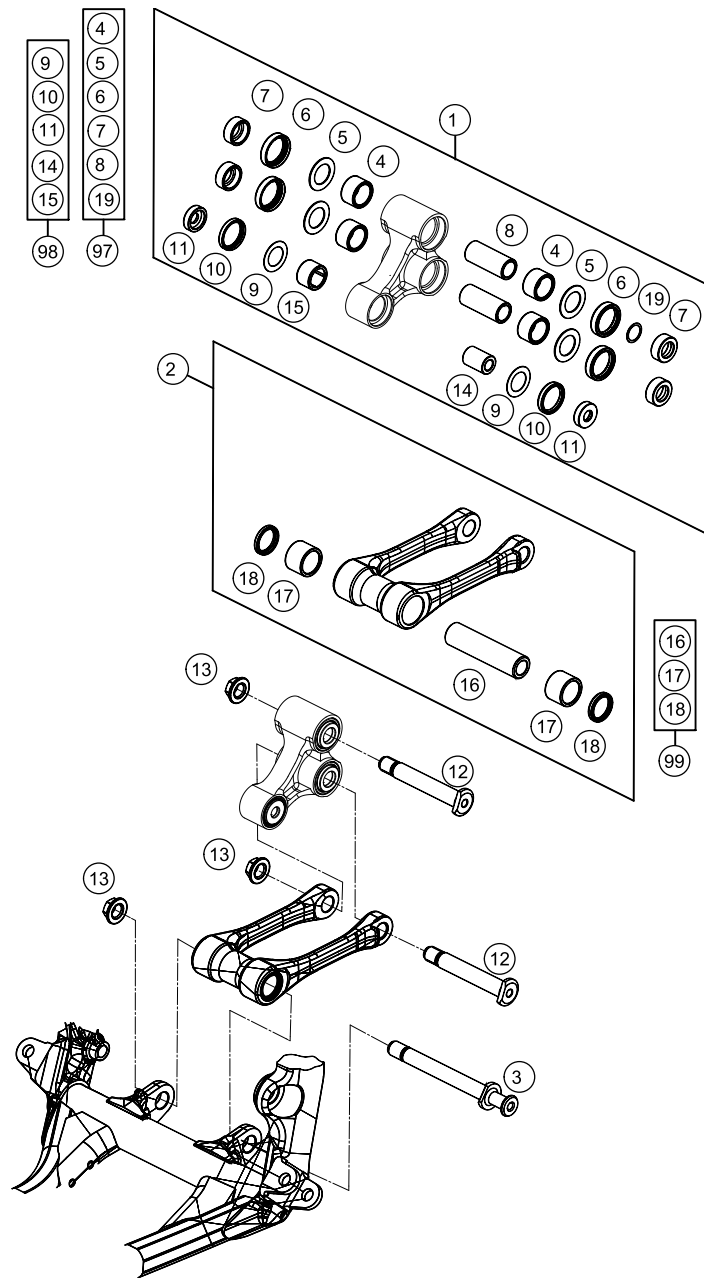
SHOCK ABSORBER DISASSEMBLED

TC 250 EU 2015



POS	PARTNUMBER	PARTNAME	PIECE
37	50180751S1	SHOCK ABSORBER FLUID 5 LT	1
99	R12020	REPAIR KIT	X

148130430	C155030430	* NEW PART	X ON DEMAND
-----------	------------	------------	-------------



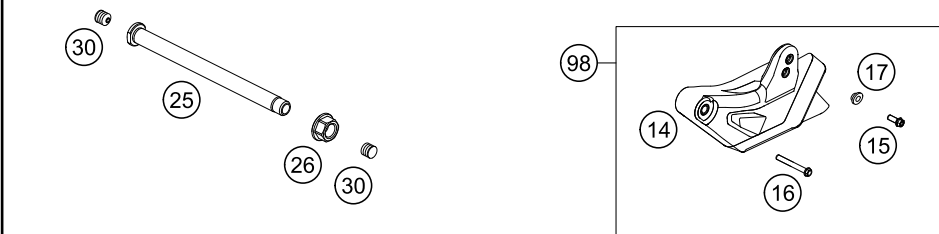
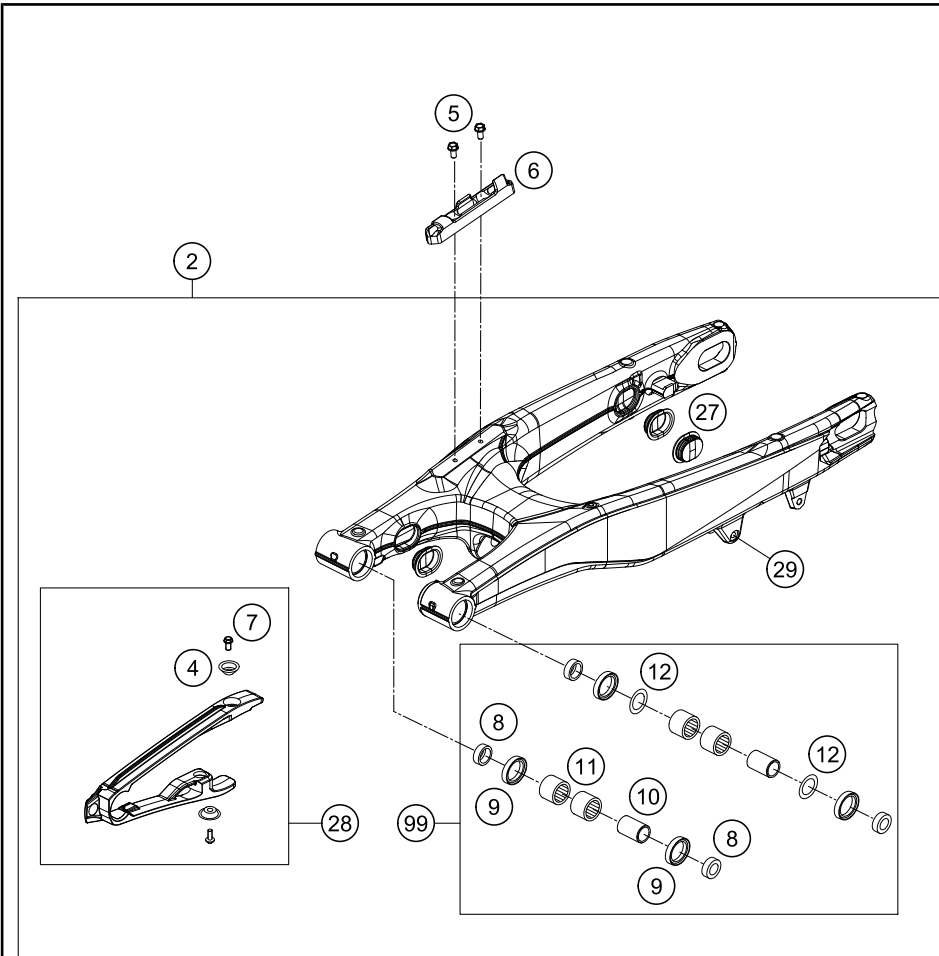
POS	PARTNUMBER	PARTNAME	PIECE
1*	7770408004401	TRIANGLE LEVER CPL. SX 2014	1
2*	7770408304401	PULL ROD CPL. SX 15	1
3	77204084000	PULL ROD ANCHOR BOLT	1
4	54603097000	NEEDLE BUSH HK 2016	4
5	59033080000	SHIM 20X32X1	4
6	0760253270	SHAFT SEAL RING 25X32X7	4
7	77204080130	BUCKET SHAFT SEAL RING 25X11	4
8	54603081000	BUSHING SLEEVE 15 X 20 X 48	2
9	50180604	SHIM D29,75 X D19 X T0,4 08	2
10	0760243050	SHAFT SEAL RING 24X30X5	2
11	77204080020	BUCKET FOR SHAFT SEAL RING	2
12	77204085000	BOLT FOR CANTILEVER M14	2
13	77204087000	HEX NUT M14X1.5 SW17	3
14	77204080010	BEARING SLEEVE 10X18X25,5	1
15	0618182416	NEEDLE BUSH HN1816 RS 18/24/16	1
16	77204084010	BEARING SLEEVE	1
17	0618222820	NEEDLE BEARING HK2220 22X28X20	2
18	0760222841	SHAFT SEAL RING G22x28x4	2
19	54603090010	STEEL WASHER 15,2X19X0,1	x
19	54603090020	STEEL WASHER 15,2X19X0,2	x
19	54603090030	STEEL WASHER 15,2X19X0,3	x
97	77204080110	TRIANGLE LEVER REP. KIT REAR	x
98	77204080090	TRIANGLE LEVER REP. KIT FRONT	x
99	77204083010	PULL ROD REP. KIT SX/SX-F	x

155030460

C155030460

* NEW PART

X ON DEMAND



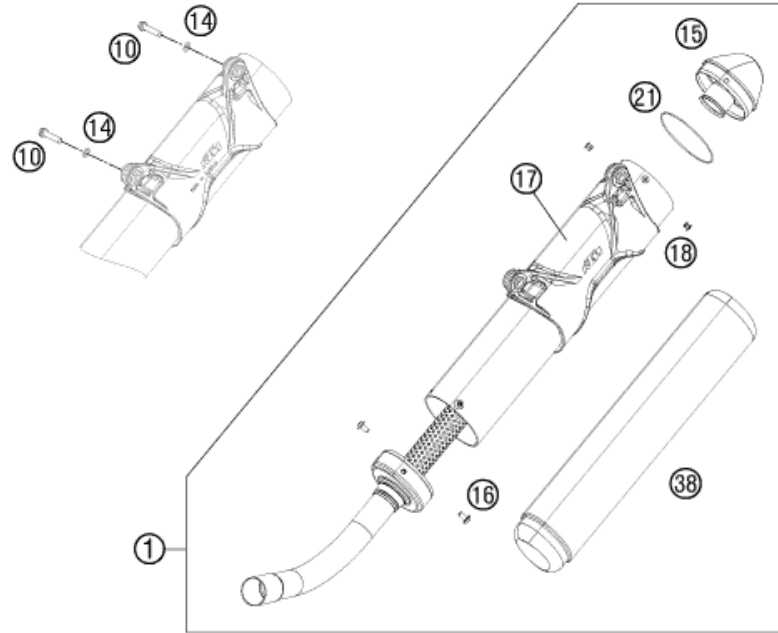
POS	PARTNUMBER	PARTNAME	PIECE
2	77204030044	SWINGARM CPL. 11	1
4	77304066050	BUSHING F. CHAIN SLIDING PR.07	2
5	0009050106	EJOT SPIRAL SCREW SF M5X10-K	2
6	76504042000	BRAKE LINE GUIDE 08	1
7	59009062013	SPECIAL SCREW M6X13 WS=8 10.9	2
8	54804034000	BUCKET F. SHAFT SEAL RING 03	4
9	0760253270	SHAFT SEAL RING 25X32X7	4
10	54804032000	BUSHING SLEEVE F. SWING ARM 03	2
11	58033097000	NEEDLE BEARING HK 2216	4
12	54603036000	STOP DISK 22,2X31,7X1	2
14	77704070000	CHAIN GUIDE REAR CPL. SX 2013	1
15	59009062019	SPECIAL SCREW M6X19 WS=8 10.9	1
16	0025060456	HH COLLAR SCREW M6X45 TX30	1
17	77304070130	BUSH. F. CHAIN FAIL. PROT. 07	1
25	77304037000	SWINGARM BOLT M16X1,5 07	1
26	54804038000	SELF LOCK.NUT M16X1,5 WS=19 03	1
27	77204041000	CLOSING COVER	4
28	77204066010	CHAIN GUARD CPL. 11-15	1
29	54603055051	PRESS IN NUT M6 STEEL ZINC	1
30	55009086000	PLUG SFL13	2
98	77704070210	CHAIN GUIDE KIT REAR SX-F 14	1
99	54804230210	SWINGARM REPAIR KIT 05-15	x

148030490

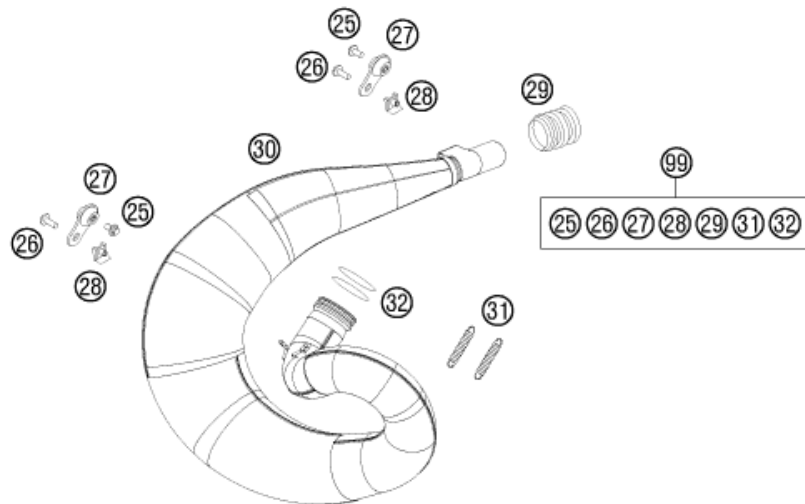
C148030490

* NEW PART

X ON DEMAND



POS	PARTNUMBER	PARTNAME	PIECE
1	54805079200	SILENCER 250-300 SX	1
10	0025060356	HH COLLAR SCREW M6X35 TX30	2
14	0137060003	SPRING WASHER DIN0137-B 6	2
15	54805083260	ENDCAP CPL.	1
16	58605083010	SCREW TORX M5X10 05	4
17	54805179085	SILENCER HOUS. CPL. W. HANGING	1
18	0011480800	DUMMY RIVET 4,8X 8 NIRO	4
21	0770740015	O-RING 74,00X1,50 FKM 75SH	1
25	0024060106	HH COLLAR SCREW M6X10 TX30	2
26	0024060156	HH COLLAR SCREW M6X15 TX30	2
27	50305012000	SWINGELEMENT FOR EXHAUST PIPE	2
28	54603048100	RANGE CHANGE METAL NUT M6	2
29	50205057000	SILICON SLEEVE D=29/31MM	1
30	54805107000	EXHAUST MANIFOLD	1
31	50305016000	TEN.SPRING L=62MM EY.MOVEABLE	2
32	0770440030	O-RING 44,00X3,00 VITON	2
38	54805078265	ROCK WOOL 265G	1
99	00050000811	EXHAUST HARDWARE KIT 11-14	x

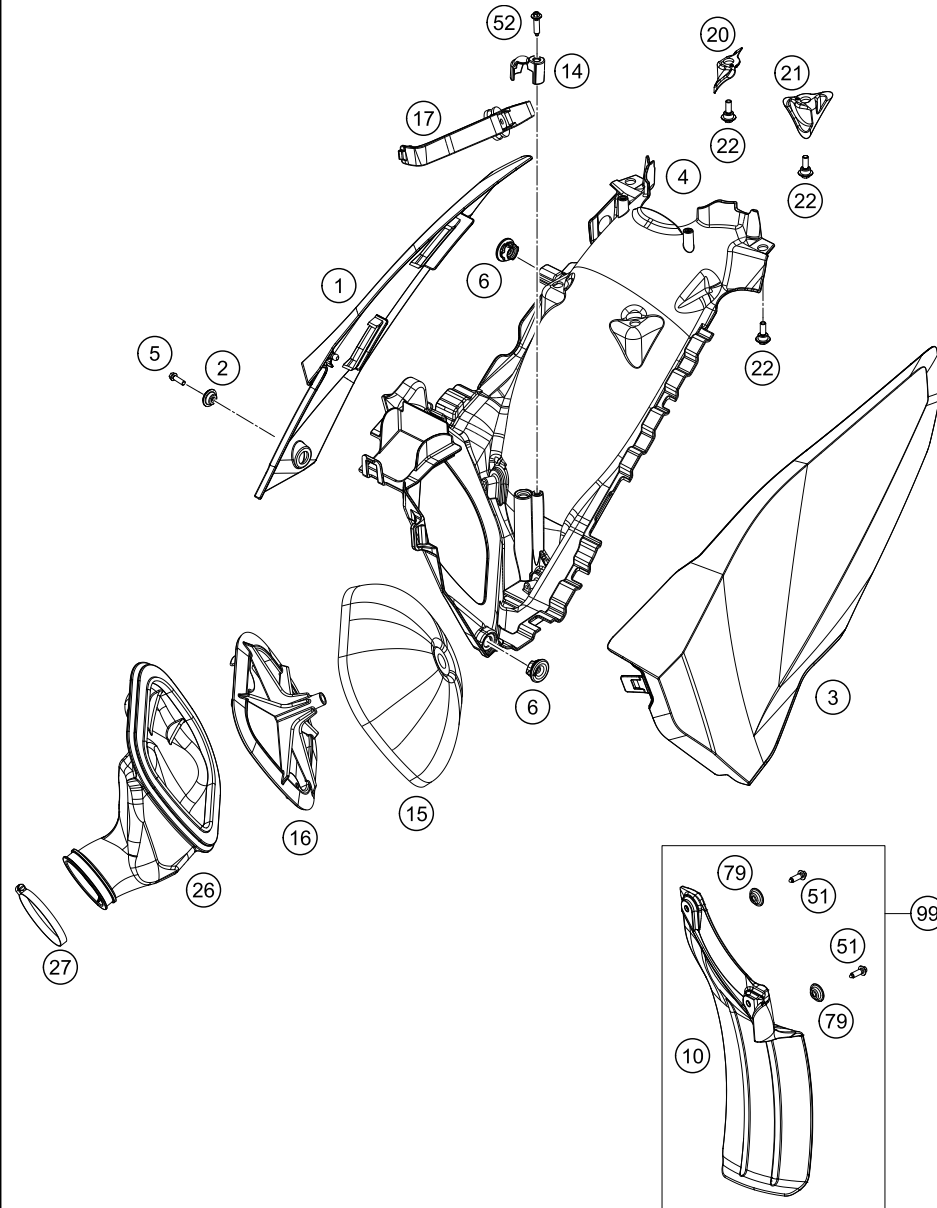


115480512

C145480510

* NEW PART

X ON DEMAND



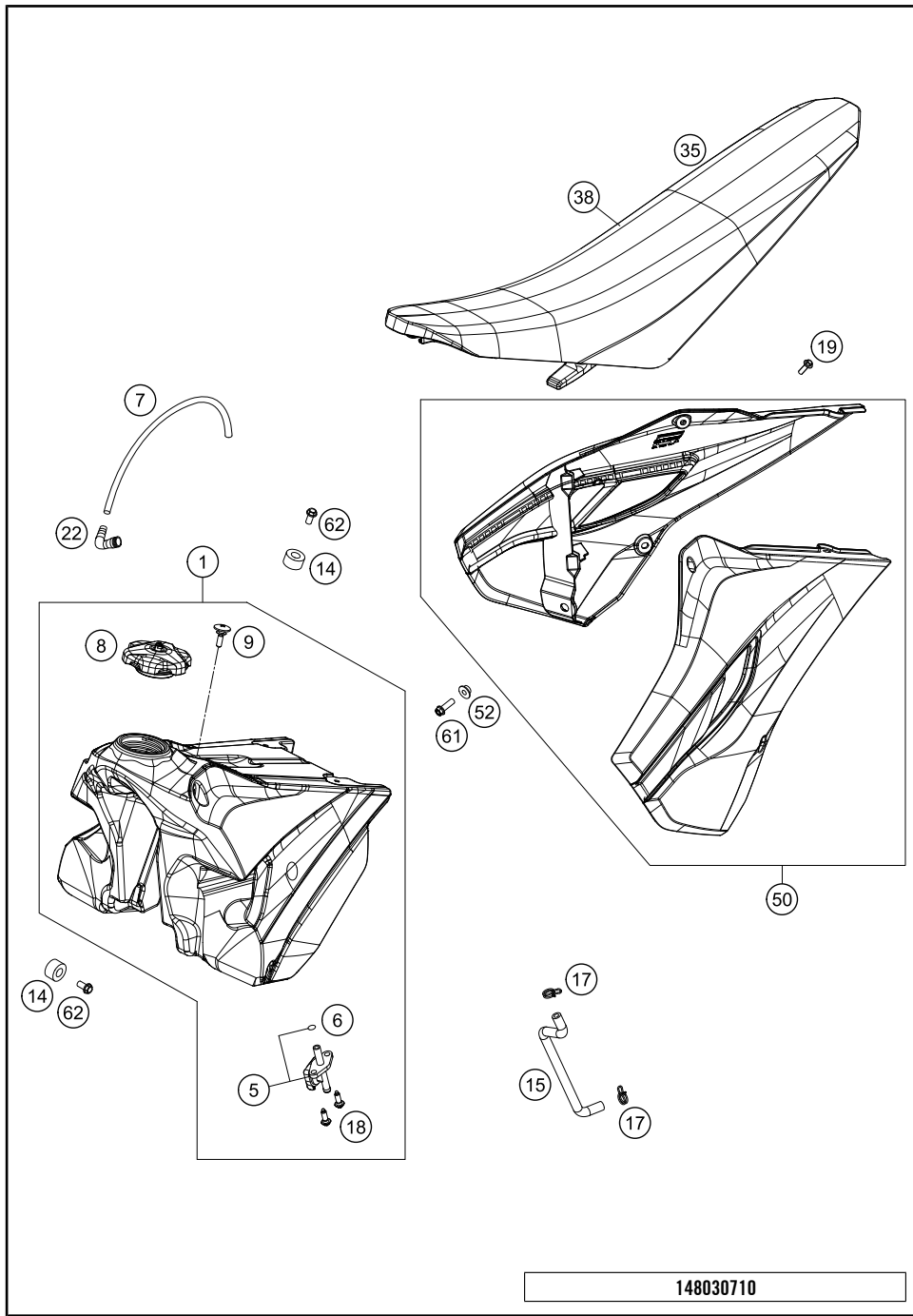
POS	PARTNUMBER	PARTNAME	PIECE
1*	8130600400028E	FILTER BOX COVER R/S TE/FE 15 WITH DECAL	1
2	77308013010	COLLAR BUSH. F.REAR FENDER 07	1
3*	8130600300028E	FILTER BOX COVER L/S TE/FE 15 WITH DECAL	1
4*	8130610120030	AIR BOX PART	1
5	0025060206	HH COLLAR SCREW M6X20 TX30	1
6	47106003160	QUICK CONNECTOR CLUTCH	2
10	77306010000	FENDER FOR FILTER BOX	1
14	81306001010	FIXING CAP	1
15	77206015000	AIR FILTER	1
16	54806516000	FILTER CARRIER	1
17	81306017000	FILTER SUPPORT CPL.	1
20	8130600105130	COVER L/S	1
21	8130600105030	COVER R/S	1
22	83008100020	SCREW M6X20X5,5	4
26	54806626000	CARBURETOR CONNECTING	1
27	51006027000	HOSE CLAMP 50-70MM	1
51	0017060206	SCREW F. PLASTIC K60X20AL SW6	2
52	0017060255	EJOT PT SCREW K60X25-Z SW6	1
79	77304066050	BUSHING F. CHAIN SLIDING PR.07	2
99	77306010010	SPLASH PROTECTOR KIT SX/EXC	x

148030611

C158030611

* NEW PART

X ON DEMAND

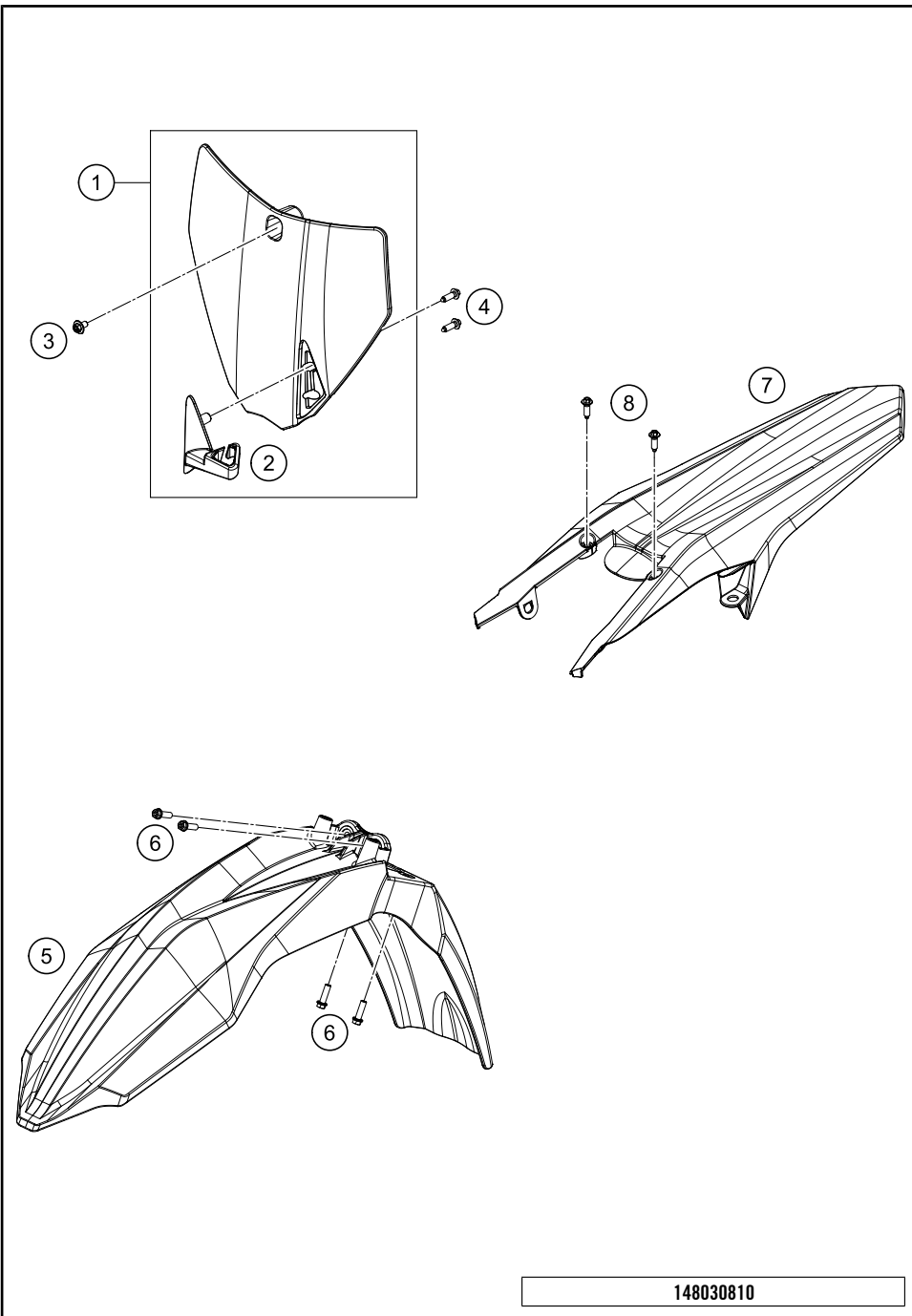


POS	PARTNUMBER	PARTNAME	PIECE
1	8030781303330	FUEL TANK CPL. 2014	1
5	50307005000	GAS COCK MIKUNI ON/OFF 2001	1
6	0770130023	O-RING 13,00X2,30	1
7	78007000270	PVC-HOSE 5,6X10X270MM	1
8	7770700814455	TANK PLUG CPL. 2014	1
9	50307011000	SCREW SEAT FASTENING D=6X23/18	1
14	50307014000	TANK ROLLER 12X26X12 '98	3
15	54807516000	FUEL HOSE 6X2,5	1
17	58031005000	CLAMP YDNAC 10128 12MM	2
18	0017060205	SCREW FOR PLASTIC K60X20 SW6	2
19	0017060206	SCREW F. PLASTIC K60X20AL SW6	6
22	50330022000	ANGLE PIEC 90 DEGREE M10X1 02	1
35*	81307840200	SEAT 2015	1
38*	81307840250	SEAT COVER TC/FC 15	1
50*	8130805400028D	SPOILER KIT WHITE TC/FC 2015 WITH DECAL	1
52	50308052000	BUSH FOR SPOILER 6X11X16X5 MM	2
61	0025060206	HH COLLAR SCREW M6X20 TX30	2
62	0026060136	COLLAR SCREW M6X13 ISA30	3

148030710

C158030710

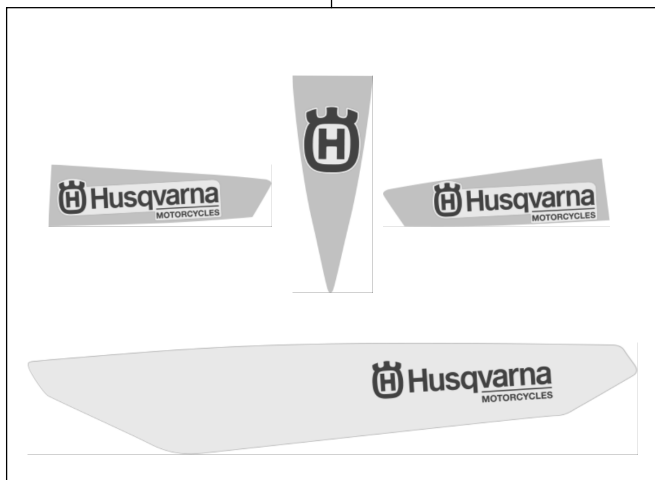
* NEW PART X ON DEMAND



POS	PARTNUMBER	PARTNAME	PIECE
1	8130800704428	START NUMBER PLATE WHITE CPL.	1
2	8130802200030	BRAKE HOSE GUIDE 2014	1
3	0024060106	HH COLLAR SCREW M6X10 TX30	1
4	0017060206	SCREW F. PLASTIC K60X20AL SW6	2
5	8130811000028	FRONT FENDER WHITE 2014	1
6	0025060206	HH COLLAR SCREW M6X20 TX30	4
7*	8130801310028	REAR FENDER	1
8	0017060205	SCREW FOR PLASTIC K60X20 SW6	2

148030810 C158030810 * NEW PART X ON DEMAND

1



2



3



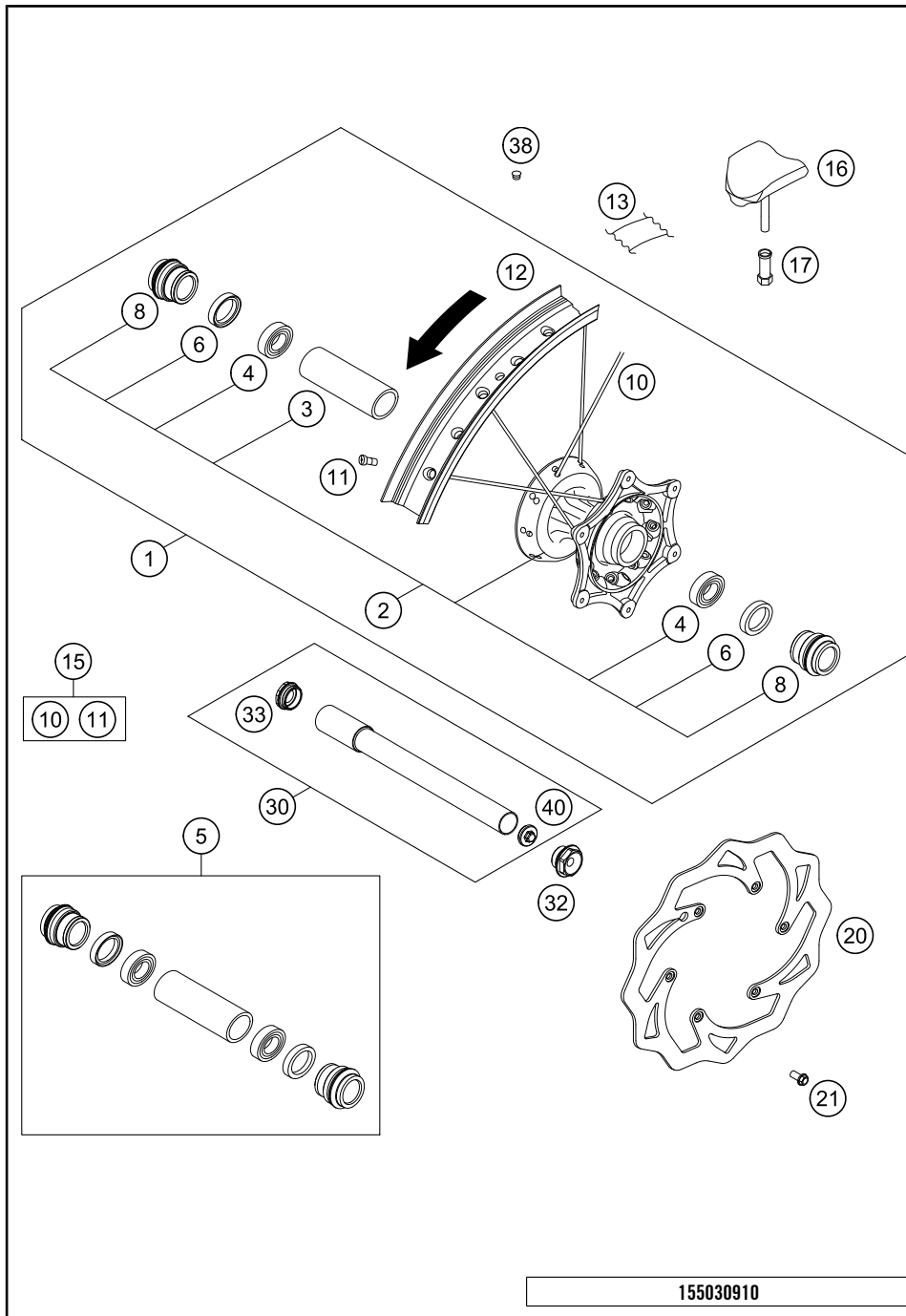
158030831

POS	PARTNUMBER	PARTNAME	PIECE
1*	80308599100	DECAL KIT TE/FE/TC/FC 2015	1
2*	80308698100	DISPLACEMENT STICKERS 250TC 15	1
3	52000115	STICKER FRONT FORK-SET WP"4CS"	1

C158030831

* NEW PART

X ON DEMAND

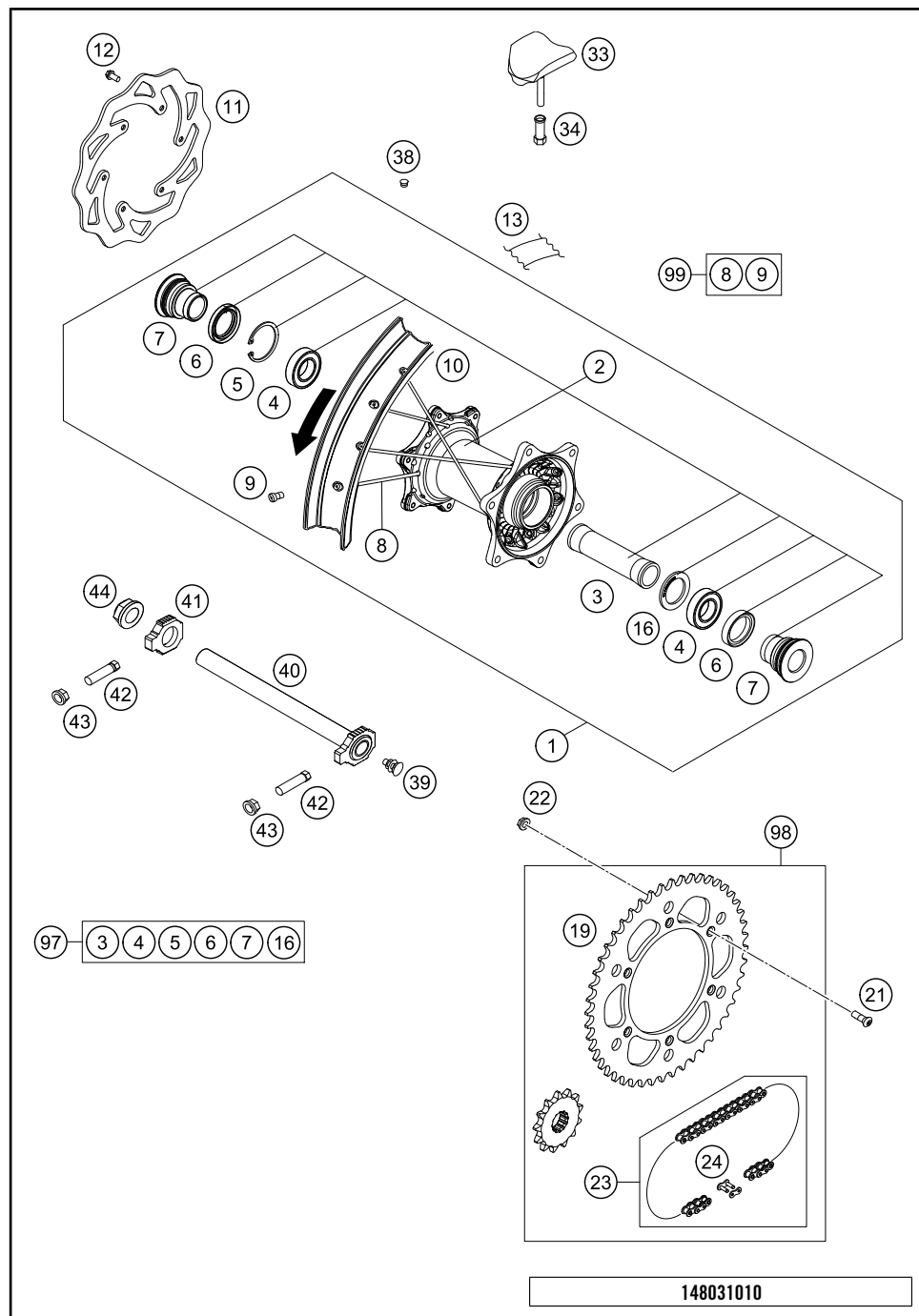


POS	PARTNUMBER	PARTNAME	PIECE
1*	8030960104430	FRONT WHEEL CPL. 1,6X21" DID15	1
2*	25009010044	FRONT WHEEL HUB CPL. 22MM 15	1
3	54809011000	BEA.SPACERTUBE 35X2 L=79,4 03	1
4	0625069068	GR.BALL BEAR.6906 DDU2CG23S6NM	2
5*	77709015000	FRONT WHEEL REP. KIT SX-F USA	1
6	0760354771	SHAFT SEAL RING 35X47X7 TC	2
8*	77709012000	SPACER BUSHING F. FR. WHEEL	2
10	77109071226	SPOKE M4,5x226-21" 11	36
11	77109072000	SPOKE NIPPLE M4,5 AL 11	36
12	8120907010030	RIM FRONT 1,60X21" DID	1
13	50309073000	RIM BAND 21"	1
15	00050000916	SPOKE KIT FRONT "21"	x
16	78109090000	RIM LOCK 1,60"	1
17	77110090050	NUT FOR WHEEL HOLDER	1
20	77309060000	BRAKE DISC FRONT 260	1
21	59009062013	SPECIAL SCREW M6X13 WS=8 10.9	6
30*	77709081033	WHEEL SPIN.FR. CPL. D=22 15	1
32*	70009082000	AXLESCREW M20X1.5; SW17	1
33*	70009081050	PLUG BUSHING SW17 '12	1
38	55003135000	PLUG FOR RIM	x
40*	7770908107055	AUXILIARY SCREW FRONT	1

155030910

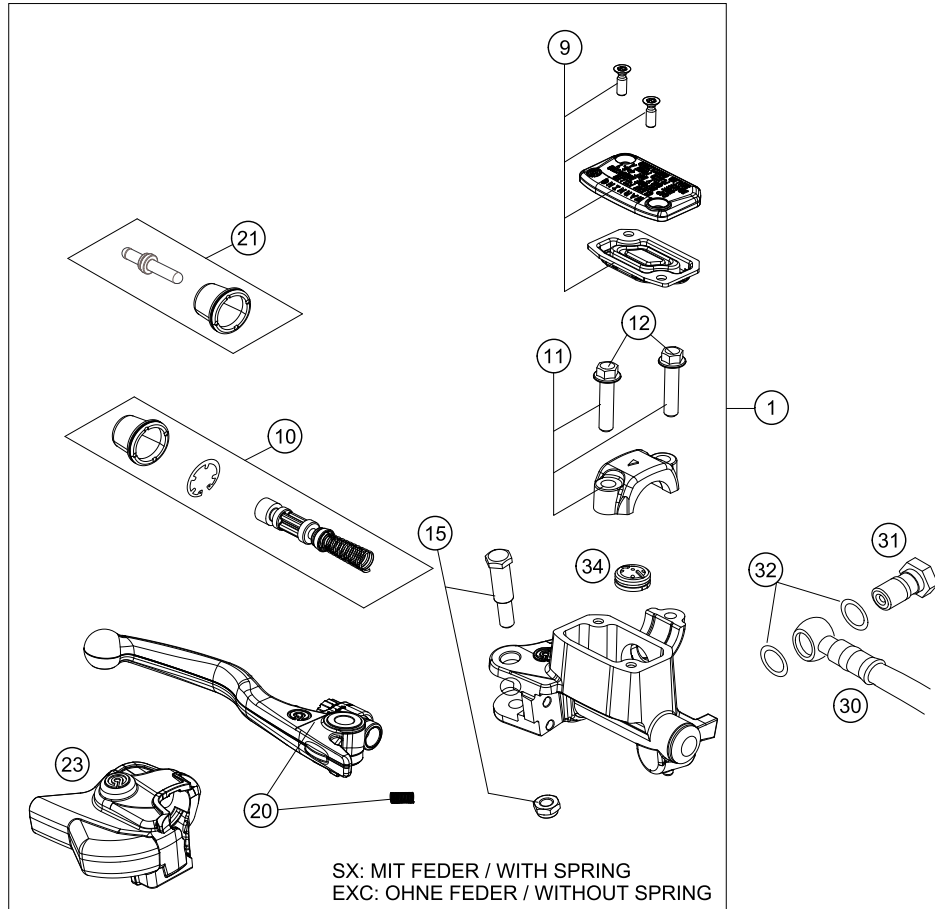
C158030910

* NEW PART X ON DEMAND

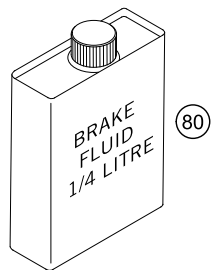


POS	PARTNUMBER	PARTNAME	PIECE
1	8031050104430	REAR WHEEL CPL.2,15X19"DID 14	1
2	78010010144	REAR WHEEL HUB CPL.	1
3	77710011000	BEARING DISTANCE TUBE 121,5MM	1
4	0625060058	GR.BALL BEAR.6005 DDU2CG23S6NM	2
5	0472047175	CIRCLIP DIN0472-47X1,75	1
6	0760324771	SHAFT SEAL RING 32X47X7 BSL	2
7	78010016000	BUSHING FOR HUB 08	2
8	77110071205	SPOKE M4,5x205-19" 11	36
9	77109072000	SPOKE NIPPLE M4,5 AL 11	36
10	8121017010030	RIM 2,15X19 DID BLACK	1
11	77310060000	BRAKE DISC REAR 220	1
12	59009062013	SPECIAL SCREW M6X13 WS=8 10.9	6
13	50310073200	RIM BAND 18" AND 19"	1
16	77710015000	DISTANCE RING	1
19*	7771015104830	SPROCKET 48-T BLACK	1
19*	7771015105030	SPROCKET 50-T BLACK	x
19*	7771015105230	SPROCKET 52-T BLACK	x
21	0019080266S	COUNTER-SUNK SCREW ISA45 M8X26	6
22	06923080003	HEXAGON NUT DIN EN1661 M8 SW13	6
23	50310165118	CHAIN 5/8X1/4" MX	1
24	50310166000	CONNECTING LINK F. 50310165118	1
33	78110090000	RIM LOCK 2,15"	1
34	77110090050	NUT FOR WHEEL HOLDER	1
38	55003135000	PLUG FOR RIM	x
39	50210086000	COVERING CAP SFL16	x
40	77310085044	WHEEL SPINDLE RE. CPL.265MM 07	1
41	50310084000	CHAIN TENSIONER R/S 2000	1
42	50304040100	SCREW M10X1,25X50 WS=10	2
43	58414030000	HH COLLAR NUT M10X1,25 WS=13	2
44	50310099000	HEXAGON NUT M20X1,5 '98	1
97	78010015010	REAR WHEEL REP. KIT	x
98	00050002043	DRIVETRAIN KIT HQV 13T/48T	x
99	00050000917	SPOKE KIT REAR "19"	x

* NEW PART X ON DEMAND



POS	PARTNUMBER	PARTNAME	PIECE
1	77713001044	HAND BREAK CYLIND. CPL. X 2014	1
9	77713003000	HAND BRAKE CYL. COVER	1
10	77713008000	REPAIR KIT PISTON SX 2014	1
11	54802005100	CLAMP CPL. 06	1
12	0025060256	HH COLLAR SCREW M6X25 TX30	2
15	77713006000	LEVER SCREW	1
20	77713002000	HAND BRAKE LEVER +SPRING SX 14 SX WITH SPRING, EXC W/O SPR.	1
21	77713007000	PUSH ROD CPL. SX 2014	1
23	77713004000	PROTECTION CAP HAND BRAKE CYL.	1
30	59013010000	BRAKEHO. FRONT 1235MM 2000	1
31	54813020100	HOLLOW SCREW BLACK M10X1X19	1
32	0603100141	COPPER GASKET DIN7603-10X14X1	2
34	54802051000	VALVE	1
80	00062030000	BRAKE FLUID DOT5.1 0,25L	1

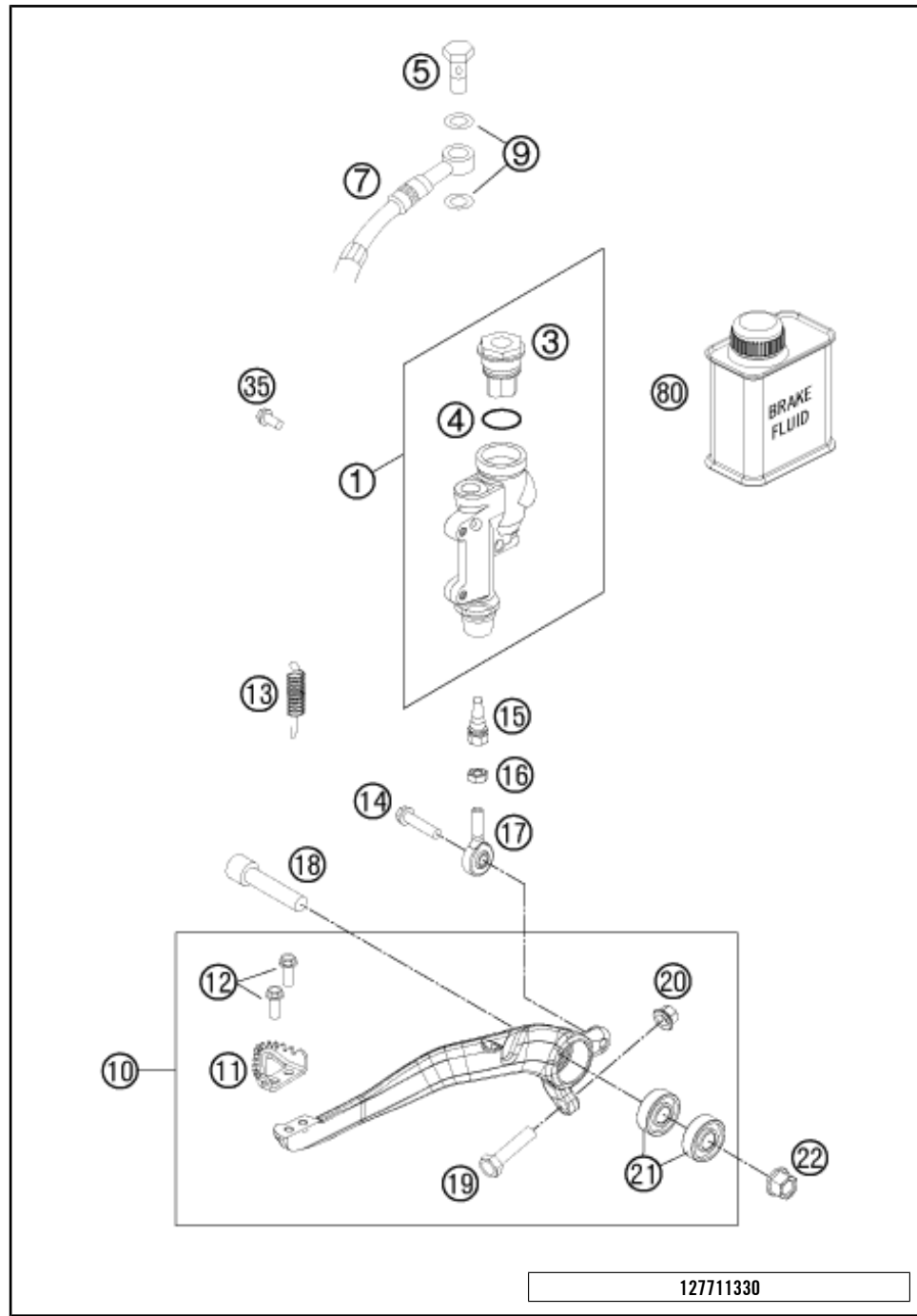


147781310

C148031310

* NEW PART

X ON DEMAND



POS	PARTNUMBER	PARTNAME	PIECE
1	77013060044	REAR BRAKE CYLINDER CPL.SX 09	1
3	54813062100	REAR BRAKE CYL. COVER CPL. 04	1
4	54813063000	FOOT-BRAKE CYL. GASKET SX 03	1
5	54813020100	HOLLOW SCREW BLACK M10X1X19	1
7	77213070000	BRAKE HOSE REAR XXXMM 11	1
9	0603100141	COPPER GASKET DIN7603-10X14X1	2
10	77213050044	FOOT BRAKE LEVER CPL.	1
11	54813051000	STEP PLATE FOR BRAKE LEVER	1
12	0025050126	HH COLLAR SCREW M5X12 TX30	2
13	54603062000	RETURN SPRING FOR BRAKE LEVER	1
14	0025060206S	HH COLLAR SCREW M6X20 TX30	1
15	54813056000	PUSH ROD L=28MM 03	1
16	0985060003	SELF LOCK. NUT DIN0985-M 6	1
17	54813055000	SWIVEL HEAD KA6 03	1
18	0032100406S	AH-COLLAR SCREW M10X40 ISA45	1
19	59001037000	SPECIAL SCREW M8X26 WS=10	1
20	46030045000	COLLAR NUT M8 WS=10	1
21	0625060002	BALL BEARING SKF 6000-2RS1	2
22	54630044000	COLLAR NUT M10 WS=13	1
35	0025060126	HH COLLAR SCREW M6X12 TX30	2
80	00062030000	BRAKE FLUID DOT5.1 0,25L	1

127711330

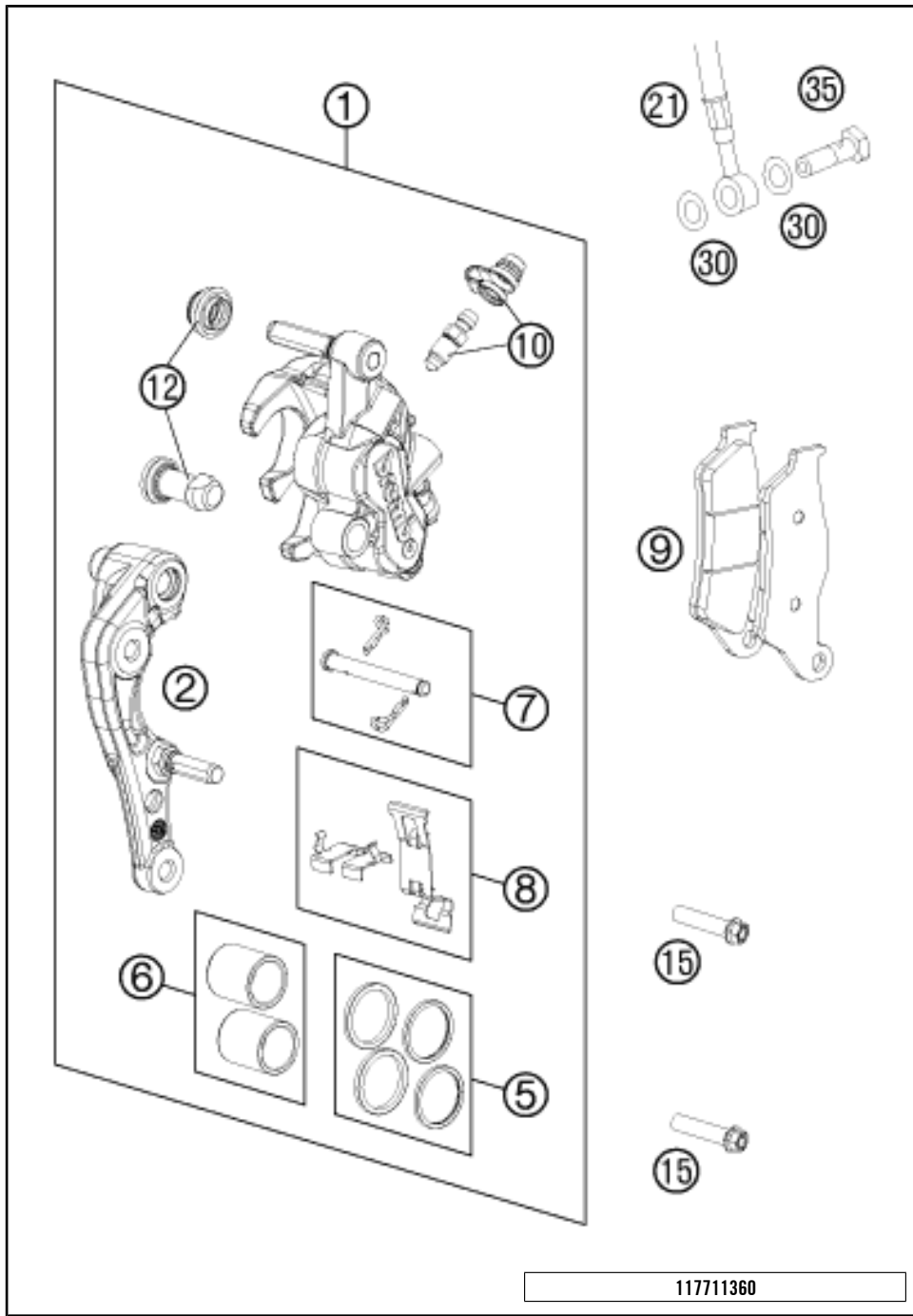
C137781330

* NEW PART

X ON DEMAND

BRAKE CALIPER FRONT

TC 250 EU 2015

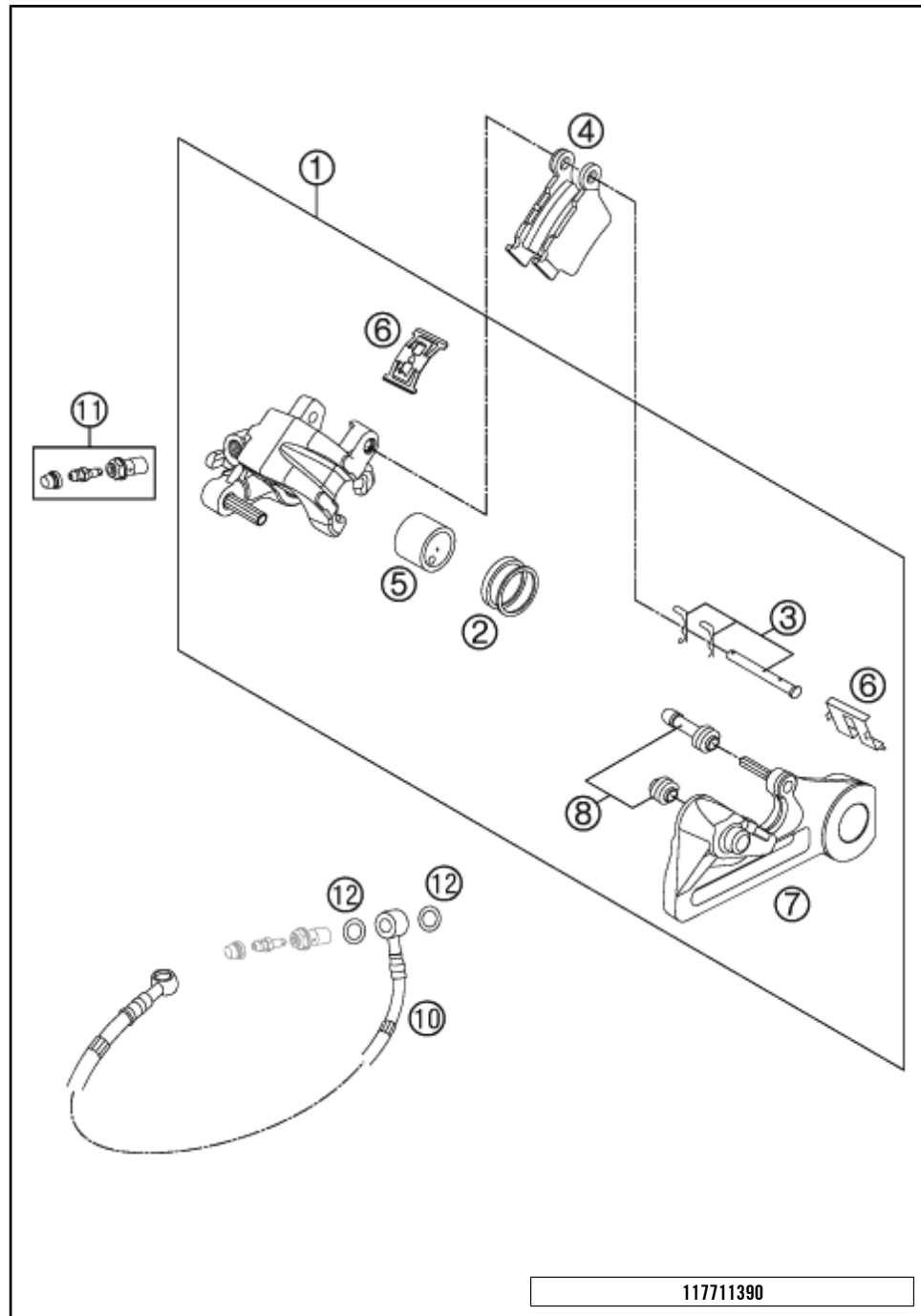


POS	PARTNUMBER	PARTNAME	PIECE
1	7701301500101	CALIPER NAT. WITHOUT PADS	1
2	77013014000	BRAKE CALIPER SUPPORT FRONT 09	1
5	77013021000	REP. KIT SEALS 24MM	1
6	77013019000	REP. KIT PISTON 24MM	1
7	77013017000	BOLT CPL. 09	1
8	77013018000	RETAINING PLATE SET BREMBO	1
9	77713030000	BRAKE PADS FRONT	1
10	61013020100	BLEEDER SCREW WITH CAP	1
12	54613218000	CUP SET SHORT	1
15*	0025080306S	HH COLLAR SCREW M8X30 TX40	2
21	59013010000	BRAKEHO. FRONT 1235MM 2000	1
30	0603100141	COPPER GASKET DIN7603-10X14X1	2
35	50213025000	HOLLOW SCREW M10X1X19	1

117711360

C155031360

* NEW PART X ON DEMAND



POS	PARTNUMBER	PARTNAME	PIECE
1	54813080101	BRAKE CAL. RE. - WITHOUT PADS	1
2	50313081200	REPAIR KIT SEALING RINGS 26MM	1
3	54813082000	BOLT SET FOR BRAKE CALIPER 03	1
4	54813090300	BRAKE PAD SET REAR TOYO	1
5	77713083000	BRAKE PISTON 26MM 2013	1
6	54813018000	RETAINING SPRING SET 2003	1
7	54813075000	BRAKE CALIPER SUPPORT REAR	1
8	54613218000	CUP SET SHORT	1
10	77213070000	BRAKE HOSE REAR XXXMM 11	1
11	62513020000	BLEEDER SCREW CPL. 05	1
12	0603100141	COPPER GASKET DIN7603-10X14X1	2

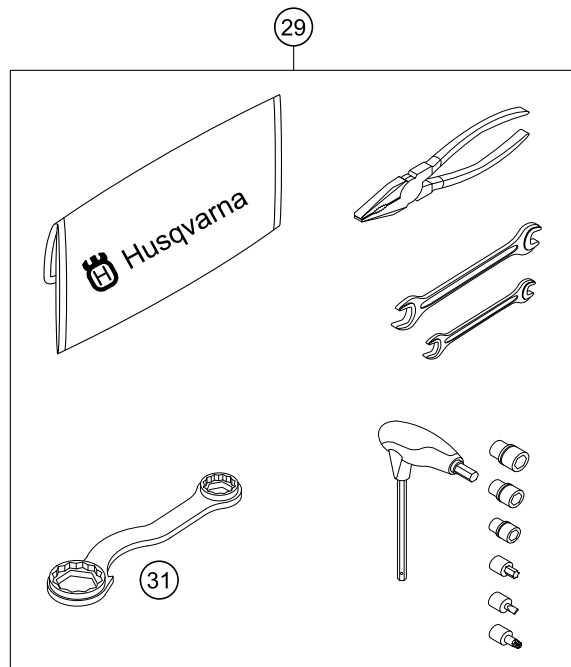
117711390

C148131391

* NEW PART X ON DEMAND

0
OHNE ABBILDUNG
WITHOUT ILLUSTRATION

1
TECHNISCHE DOKUMENTATION
TECHNICAL DOCUMENTATION
DOCUMENTACION TECNICA
DOCUMENTATION TECHNIQUE
NOTE TECNICHE



POS	PARTNUMBER	PARTNAME	PIECE
0	HQV0110	HUSQVARNA BALLPOINT PEN	1
0	80312002000	DOCUMENTS BAG HUSQVARNA	1
0	HQV0109	HUSQVARNA NOTE-PAD	1
0	00063004202	PRINT LABEL 60X51 MM	1
0	78003040033	FOOTREST L/S + R/S CPL. 09	1
0	80302602144	BAR PAD 2015	1
0	7770217900028	HAND GUARDS CPL. L/S+R/S WHITE	1
0	77703020000	PLUG-IN STAND	1
0	HQV0004DE/GB	HUSKY POWER&STYLE FOLDER 2014	1
0	00062030019	AIR FILTER OIL 100ML	1
1	3402018EN	OWNERS MANUAL 125/250 TC 15	1
29	80329899000	TOOL KIT	1
31	50329080100	WRENCH SW=17/21/27/32 B&F	1

148132000

C158032002

* NEW PART

X ON DEMAND



- ⑤ Ø 5 mm
- ⑥ Ø 6 mm
- ⑧ Ø 8 mm
- ⑩ Ø 10 mm
- ⑫ Ø 12 mm
- ⑭ Ø 14-14,5 mm
- ⑯ Ø 16 mm
- ⑳ Ø 20 mm
- ㉑ Ø 21 mm
- ㉒ Ø 22 mm
- ㉓ Ø 23 mm
- ㉔ Ø 24,5 mm
- ㉘ Ø 28,5 mm
- ㉚ Ø 32 mm
- ㉜ Ø 52 mm



POS	PARTNUMBER	PARTNAME	PIECE
5	44906890	WASHER 5X15X2	X
6	40540400	SHIM 6X12X0,1	X
6	40540401	SHIM 6X14X0,1	X
6	40540402	SHIM 6X16X0,1	X
6	40540403	SHIM 6X18X0,1	X
6	40540404	SHIM 6X12X0,15	X
6	40540405	SHIM 6X14X0,15	X
6	40540406	SHIM 6X16X0,15	X
6	40540407	SHIM 6X18X0,15	X
6	40540408	SHIM 6X12X0,2	X
6	40540409	SHIM 6X14X0,2	X
6	40540410	SHIM 6X16X0,2	X
6	40540411	SHIM 6X18X0,2	X
6	48600095	* SHIM 6X20X0,20	X
6	40540412	SHIM 6X12X0,25	X
6	40540413	SHIM 6X14X0,25	X
6	40540414	SHIM 6X16X0,25	X
6	40540415	SHIM 6X18X0,25	X
6	40540417	SHIM 6X8,5X0,10	X
6	40540418	SHIM 6X9X0,10	X
6	40540419	SHIM 6X9,5X0,10	X
6	40540423	SHIM 6X9,5X0,15	X
6	40540425	SHIM 6X8,5X0,20	X
6	40540426	SHIM 6X9X0,20	X
6	40540427	SHIM 6X9,5X0,20	X
6	40540447	SHIM 6X10X0,3	X
6	40540449	SHIM 6X9X0,3	X
6	40540450	SHIM 6X9,5X0,3	X
6	40540494	SHIM 6X18X0,4	X
6	40540774	SHIM 6X18X0,1 DELTA	X
6	40541383	SHIM 6X11X0,1	X
6	40541391	SHIM 6X11X0,3	X
6	40541402	SHIM 6X11X0,2	X
6	40541403	SHIM 6X10X0,20	X
6	40541404	SHIM 6X10X0,1	X
6	40541405	SHIM 6X10X0,15	X
6	40541406	SHIM 6X11X0,15	X
6	40541408	SHIM 6X8,0X0,30	X

080000190

C130009090

* NEW PART

X ON DEMAND



- ⑤ Ø 5 mm
- ⑥ Ø 6 mm
- ⑧ Ø 8 mm
- ⑩ Ø 10 mm
- ⑫ Ø 12 mm
- ⑭ Ø 14-14,5 mm
- ⑯ Ø 16 mm
- ⑳ Ø 20 mm
- ㉑ Ø 21 mm
- ㉒ Ø 22 mm
- ㉓ Ø 23 mm
- ㉔ Ø 24,5 mm
- ㉘ Ø 28,5 mm
- ㉚ Ø 32 mm
- ㉜ Ø 52 mm



POS	PARTNUMBER	PARTNAME	PIECE
6	40541414	SHIM 6X8,0X0,10	X
6	40541416	SHIM 6X8X0,3	X
6	40541417	SHIM 6X11X0,25	X
6	48600102	* SHIM 6X24X0,25	X
6	48600063	SHIM 6X24X0,1	X
6	48600064	SHIM 6X22X0,1	X
6	48600065	SHIM 6X20X0,1	X
6	48600069	SHIM 6X20X0,15	X
6	48600100	SHIM 6X24X0,15	X
6	48600116	SHIM 6X24X0,1 DELTA	X
6	48600139	SHIM 6X22X0,1 DELTA	X
6	48600217	BACKPLATE 6X10X0,25	X
6	48600325	SHIM 6X13X0,1	X
6	48600327	SHIM 6X15X0,1	X
6	48600329	SHIM 6X17X0,1	X
6	48600331	SHIM 6X19X0,1	X
6	48600096	* SHIM 6X20X0,25	X
6	48600097	SHIM 6X22X0,15	X
6	48600099	* SHIM 6X22X0,25	X
6	40540448	BACKPLATE 6X8,5X0,30	X
6	48600479	SHIM 6X20X0,1 T/3H	X
6	48600332	SHIM 6X21X0,1	X
6	48600333	SHIM 6X23X0,1	X
6	40541393	* SHIM 6X12X0,3	X
6	48600330	SHIM 6X17X0,15	X
6	48600988	SHIM 6X28X0,10	X
6	48600989	SHIM 6X26X0,10	X
6	48601091	SHIM 6X28X0,15	X
6	48601093	SHIM 6X26X0,15	X
8	40540477	SHIM 8X18X0,4	X
8	43570120	SHIM 8X18X0,10	X
8	44916098	WASHER 8,4X16X0,8	X
8	44916130	WASHER 8,2X15X1	X
8	44916180	WASHER 8,2X11X1	X
8	48600214	SHIM 8X16X0,1	X
8	48600346	SHIM 8X11X0,2	X
8	48600215	CHECK VALVE 8X20X0,1	X
8	48600061	CHECK VALVE 8X24X0,4	X

080000190

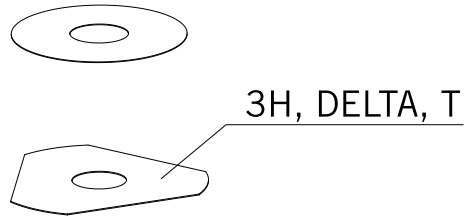
C130009090

* NEW PART

X ON DEMAND



- ⑤ Ø 5 mm
- ⑥ Ø 6 mm
- ⑧ Ø 8 mm
- ⑩ Ø 10 mm
- ⑫ Ø 12 mm
- ⑭ Ø 14-14,5 mm
- ⑯ Ø 16 mm
- ⑳ Ø 20 mm
- ㉑ Ø 21 mm
- ㉒ Ø 22 mm
- ㉓ Ø 23 mm
- ㉔ Ø 24,5 mm
- ㉘ Ø 28,5 mm
- ㉚ Ø 32 mm
- ㉜ Ø 52 mm



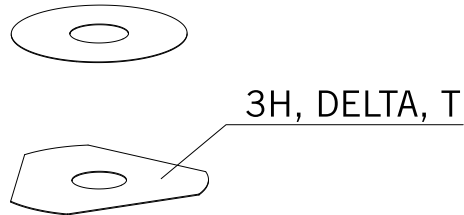
POS	PARTNUMBER	PARTNAME	PIECE
8	4860062	CHECK VALVE 8X24X0,1	X
8	48600216	CHECK VALVE 8X22X0,1	X
8	48600480	SHIM 8X10X0,20	X
8	48600555	SHIM 8X16X0,20	X
8	48600213	SHIM 8X14X0,10	X
8	48600357	CHECK VALVE 8X11X0,1	X
8	48600351	CHECK VALVE 8X12X0,1	X
8	48600607	SHUTTLE VALVE 8X20X0,4	X
8	48601095	SHIM 8X17X0,10	X
8	48600218	BACKPLATE 8X11X0,40	X
10	36120284	SHIM 10X16X0,10	X
10	36120298	SHIM 10X16X0,2	X
10	36120312	SHIM 10X16X0,30	X
10	36120314	SHIM 10X18X0,30	X
10	36120325	SHIM 10X19X0,15	X
10	36120327	SHIM 10X23X0,15	X
10	36120328	SHIM 10X25X0,15	X
10	36120329	SHIM 10X27X0,15	X
10	36120330	SHIM 10X29X0,15	X
10	36120331	SHIM 10X31X0,15	X
10	36120332	SHIM 10X33X0,15	X
10	36120334	SHIM 10X21X0,20	X
10	36120335	SHIM 10X23X0,20	X
10	36120336	SHIM 10X25X0,20	X
10	36120337	SHIM 10X27X0,20	X
10	36120338	SHIM 10X29X0,20	X
10	36120339	SHIM 10X31X0,20	X
10	36120340	SHIM 10X33X0,20	X
10	36120342	SHIM 10X21X0,25	X
10	36120343	SHIM 10X23X0,25	X
10	36120344	SHIM 10X25X0,25	X
10	36120345	SHIM 10X27X0,25	X
10	36120349	SHIM 10X19X0,30	X
10	36120350	SHIM 10X21X0,30	X
10	40140275	WASHER 10X35X0,15	X
10	36120346	* SHIM 10X29X0,25	X
10	50180010	* SHIM 16X24X0,10	X
10	36120604	SHIM D10XD22X2,5	X

080000190

C130009090

* NEW PART

X ON DEMAND



- ⑤ Ø 5 mm
- ⑥ Ø 6 mm
- ⑧ Ø 8 mm
- ⑩ Ø 10 mm
- ⑫ Ø 12 mm
- ⑭ Ø 14-14,5 mm
- ⑯ Ø 16 mm
- ⑳ Ø 20 mm
- ㉑ Ø 21 mm
- ㉒ Ø 22 mm
- ㉓ Ø 23 mm
- ㉔ Ø 24,5 mm
- ㉘ Ø 28,5 mm
- ㉚ Ø 32 mm
- ㉜ Ø 52 mm

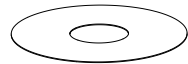
POS	PARTNUMBER	PARTNAME	PIECE
12	46810490	SHIM 12X24X0,20	X
12	46810491	SHIM 12X26X0,20	X
12	46810492	SHIM 12X28X0,20	X
12	46810493	SHIM 12X30X0,20	X
12	46810494	SHIM 12X32X0,20	X
12	46810495	SHIM 12X34X0,20	X
12	46810496	SHIM 12X36X0,20	X
12	46810497	SHIM 12X38X0,20	X
12	46810498	SHIM 12X40X0,20	X
12	46810499	SHIM 12X24X0,25	X
12	46810500	SHIM 12X26X0,25	X
12	46810501	SHIM 12X28X0,25	X
12	46810502	SHIM 12X30X0,25	X
12	46810504	SHIM 12X34X0,25	X
12	46810505	SHIM 12X36X0,25	X
12	46810507	SHIM 12X40X0,25	X
12	46810508	SHIM 12X24X0,30	X
12	46810509	SHIM 12X26X0,30	X
12	46810510	SHIM 12X28X0,30	X
12	46810512	SHIM 12X32X0,30	X
12	46810513	SHIM 12X34X0,30	X
12	46810518	SHIM 12X26X0,15	X
12	46810519	SHIM 12X28X0,15	X
12	46810520	SHIM 12X30X0,15	X
12	46810521	SHIM 12X32X0,15	X
12	46810522	SHIM 12X34X0,15	X
12	46810523	SHIM 12X36X0,15	X
12	46810524	SHIM 12X38X0,15	X
12	46810525	SHIM 12X40X0,15	X
12	46810604	SHIM 12X20X0,10	X
12	46810606	SHIM 12X22X0,10	X
12	46810607	SHIM 12X23X0,10	X
12	46810608	SHIM 12X24X0,10	X
12	46810610	SHIM 12X27X0,15	X
12	46810611	SHIM 12X18X0,15	X
12	46810612	SHIM 12X19X0,15	X
12	46810615	SHIM 12X22X0,15	X
12	46810636	BACKPLATE 12X16X0,30	X

080000190

C130009090

* NEW PART

X ON DEMAND



3H, DELTA, T

- ⑤ Ø 5 mm
- ⑥ Ø 6 mm
- ⑧ Ø 8 mm
- ⑩ Ø 10 mm
- ⑫ Ø 12 mm
- ⑭ Ø 14-14,5 mm
- ⑯ Ø 16 mm
- ⑳ Ø 20 mm
- ㉑ Ø 21 mm
- ㉒ Ø 22 mm
- ㉓ Ø 23 mm
- ㉔ Ø 24,5 mm
- ㉘ Ø 28,5 mm
- ㉚ Ø 32 mm
- ㉜ Ø 52 mm

POS	PARTNUMBER	PARTNAME	PIECE
12	46810637	BACKPLATE 12X17X0,30	X
12	46810638	BACKPLATE 12X18X0,30	X
12	46810639	SHIM 12X19X0,30	X
12	46810641	BACKPLATE 12X21X0,30	X
12	46811582	BACKPLATE 12X30X0,10	X
12	46810631	SHIM 12X20X0,25	X
12	46810633	SHIM 12X22X0,25	X
12	46811580	SHIM 12X32X0,10	X
12	46810503	SHIM 12X32X0,25	X
12	46810517	* SHIM 12X24X0,15	X
12	46810640	SHIM 12X20X0,30	X
12	46811258	RING 12X24X2,5	X
14	46811046	SHIM 14,5X35,4X1,25	X
16	50180023	* SHIM 16X23X0,20	X
16	50180030	SHIM	X
16	50180006	BACKPLATE 16X20X0,10	X
16	50180007	SHIM 16X21X0,10	X
16	50180028	SHIM 16X21X0,25	X
16	50180210	WASHER 16X21X1	X
16	50180008	SHIM 16X22X0,10	X
16	50180022	SHIM 16X22X0,20	X
16	50180037	SHIM 16X23X0,30	X
16	50180038	SHIM 16X24X0,30	X
16	50180032	SHIM 15X25X0,25	X
16	50180039	SHIM 16X25X0,30	X
16	50180012	SHIM 16X26X0,10	X
16	50180019	SHIM 16X26X0,15	X
16	50180026	SHIM 16X26X0,20	X
16	50180040	SHIM 16X26X0,30	X
16	50180041	SHIM 16X28X0,10	X
16	50180045	SHIM 16X28X0,15	X
16	50180054	SHIM 16X28X0,20	X
16	50180063	SHIM 16X28X0,25	X
16	50180072	SHIM 16X28X0,30	X
16	50180046	SHIM 16X30X0,15	X
16	50180055	SHIM 16X30X0,20	X
16	50180064	SHIM 16X30X0,25	X
16	50180073	SHIM 16X30X0,30	X

080000190

C130009090

* NEW PART

X ON DEMAND



- ⑤ Ø 5 mm
- ⑥ Ø 6 mm
- ⑧ Ø 8 mm
- ⑩ Ø 10 mm
- ⑫ Ø 12 mm
- ⑭ Ø 14-14,5 mm
- ⑯ Ø 16 mm
- ⑳ Ø 20 mm
- ㉑ Ø 21 mm
- ㉒ Ø 22 mm
- ㉓ Ø 23 mm
- ㉔ Ø 24,5 mm
- ㉘ Ø 28,5 mm
- ㉚ Ø 32 mm
- ㉜ Ø 52 mm



POS	PARTNUMBER	PARTNAME	PIECE
16	50180047	SHIM 16X32X0,15	X
16	50180056	SHIM 16X32X0,20	X
16	50180065	SHIM 16X32X0,25	X
16	50180074	SHIM 16X32X0,30	X
16	50180044	SHIM 16X34X0,10	X
16	50180048	SHIM 16X34X0,15	X
16	50180057	SHIM 16X34X0,20	X
16	50180066	SHIM 16X34X0,25	X
16	50180075	SHIM 16X34X0,30	X
16	50180049	SHIM 16X36X0,15	X
16	50180058	SHIM 16X36X0,20	X
16	50180067	SHIM 16X36X0,25	X
16	50180076	SHIM 16X36X0,30	X
16	50180050	SHIM 16X38X0,15	X
16	50180059	SHIM 16X38X0,20	X
16	50180068	SHIM 16X38X0,25	X
16	50180077	SHIM 16X38X0,30	X
16	50180051	SHIM 16X40X0,15	X
16	50180060	SHIM 16X40X0,20	X
16	50180069	SHIM 16X40X0,25	X
16	50180078	SHIM 16X40X0,30	X
16	50180052	SHIM 16X42X0,15	X
16	50180061	SHIM 16X42X0,20	X
16	50180070	SHIM 16X42X0,25	X
16	50180079	SHIM 16X42X0,30	X
16	50180053	SHIM 16X44X0,15	X
16	50180062	SHIM 16X44X0,20	X
16	50180071	SHIM 16X44X0,25	X
16	50180080	SHIM 16X44X0,30	X
16	50180177	WASHER 16X8,2X0,6	X
16	50180033	SHIM 16X26X0,25	X
16	50180034	BACKPLATE 16X20X0,30	X
16	50180035	BACKPLATE 16X21X0,30	X
16	50180036	BACKPLATE 16X22X0,30	X
16	50180043	SHIM	X
16	50180024	* SHIM 16X24X0,20	X
16	50180027	* SHIM 16X20X0,25	X
16	50180031	SHIM	X

080000190

C130009090

* NEW PART

X ON DEMAND



- ⑤ Ø 5 mm
- ⑥ Ø 6 mm
- ⑧ Ø 8 mm
- ⑩ Ø 10 mm
- ⑫ Ø 12 mm
- ⑭ Ø 14-14,5 mm
- ⑯ Ø 16 mm
- ⑳ Ø 20 mm
- ㉑ Ø 21 mm
- ㉒ Ø 22 mm
- ㉓ Ø 23 mm
- ㉔ Ø 24,5 mm
- ㉘ Ø 28,5 mm
- ㉚ Ø 32 mm
- ㉜ Ø 52 mm



POS	PARTNUMBER	PARTNAME	PIECE
20	48600212	PRESSURE-RING 20X16,25X0,20	X
20	50180666	SHIM 20X24X0,30	X
20	50180654	SHIM 20X36X0,20	X
20	50180655	SHIM 20X38X0,20	X
20	50180656	SHIM 20X40X0,20	X
20	50180665	SHIM 20X40X0,25	X
20	50180662	SHIM 20X34X0,25	X
20	50180657	SHIM 20X24X0,25	X
20	50180653	SHIM 20X34X0,20	X
20	50180634	RING 20X22,9X1	X
20	50180650	SHIM 20,2X28X0,20	X
20	50180663	SHIM 20X36X0,25	X
20	50180664	SHIM 20X38X0,25	X
20	50180659	SHIM 20,2X28X0,25	X
21	50180209	WASHER 21X36X0,25	X
22	50180330	* PRESS. RING 22X18X0,30	X
23	50180635	SHUTTLE VALVE 23X38X0,25	X
23	50180578	SHIM D23XD16X2	X
24	40541061	WASHER 24,5X34X2	X
28	36120469	SHIM 28,5X14X2	X
28	36120471	SHIM 28,5X14X5	X
32	48600460	WASHER 32X42X2,5	X
32	50600065	SHIM 32X45X2	X
32	46811637	PRESSURE RING 36X32,25	X
52	50600002	SHIM 52X59X2,2	X

080000190

C130009090

* NEW PART

X ON DEMAND

A large, empty rectangular box with a thin black border, occupying the majority of the page. It is intended for the user to write their notes.

A large, empty rectangular box with a thin black border, occupying the majority of the page. It is intended for the user to write their notes.



3CFF230101EN



Husqvarna Motorcycles GmbH
Stallhofnerstraße 3 | 5230 Mattighofen | Austria
www.husqvarna-motorcycles.com



THE PIONEERS OF MOTOCROSS