

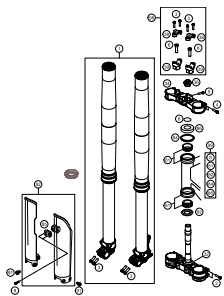
SPAREPARTSCATALOG

CHASSIS

ART.-NR.: 3CFF230300EN

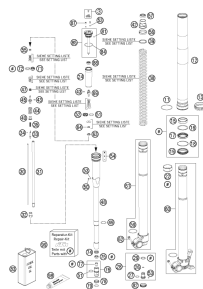
FS 450 EU 2015

FRONT FORK, TRIPLE CLAMP



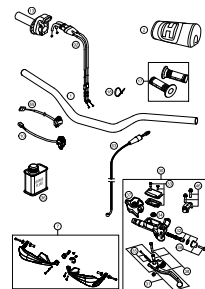
4

FRONT FORK DISASSEMBLED



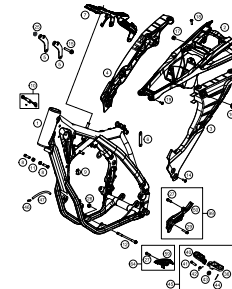
5

HANDLEBAR, CONTROLS



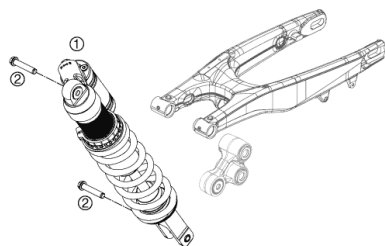
7

FRAME



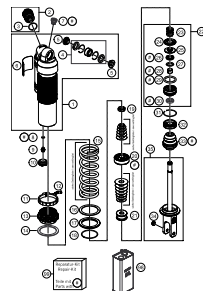
8

SHOCK ABSORBER



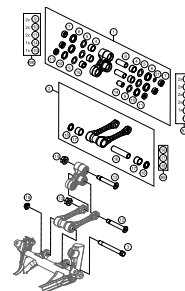
9

SHOCK ABSORBER DISSASSEMBLED



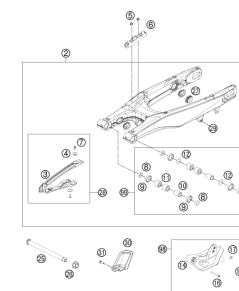
10

PRO LEVER LINKING



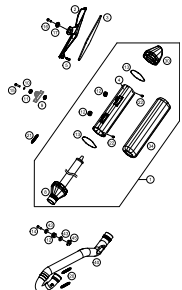
12

SWING ARM



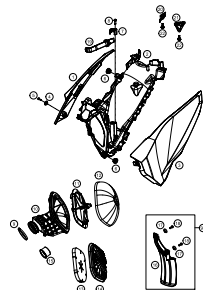
13

EXHAUST SYSTEM



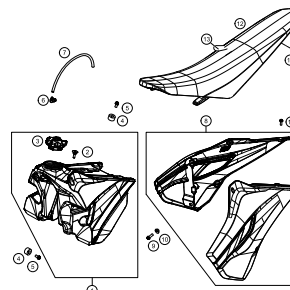
14

AIR FILTER



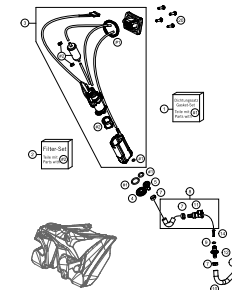
15

TANK, SEAT, COVER



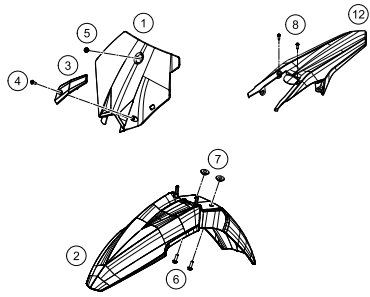
16

FUEL PUMP



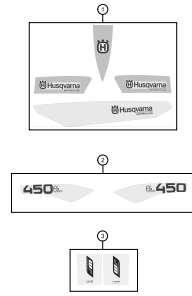
17

MASK, FENDERS



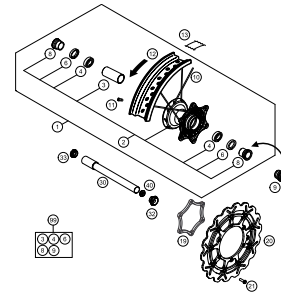
18

DECAL



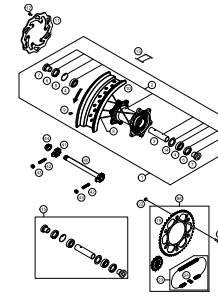
19

FRONT WHEEL



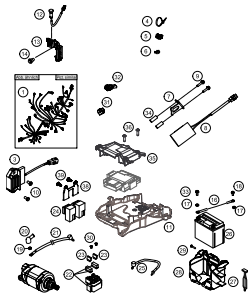
20

REAR WHEEL



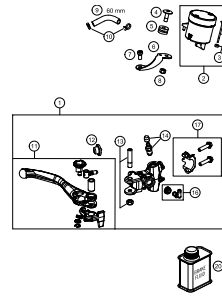
21

WIRING HARNESS



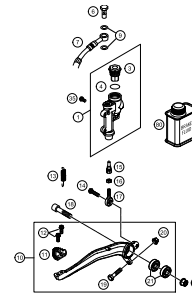
22

HAND BREAK CYLINDER



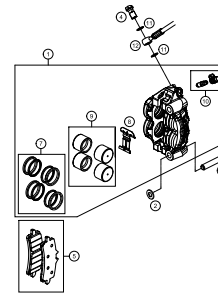
23

REAR BRAKE CONTROL



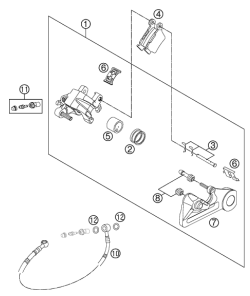
24

BREAK CALIPER FRONT



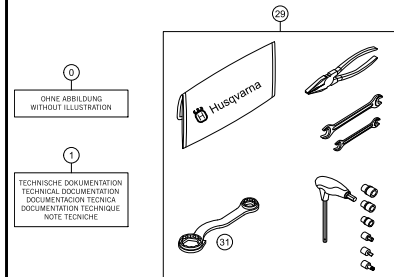
25

BRAKE CALIPER REAR



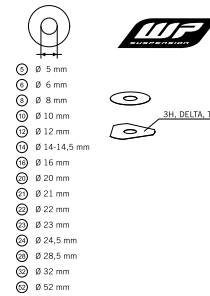
26

ACCESSORIES KIT



27

WP SHIMS FOR SETTING

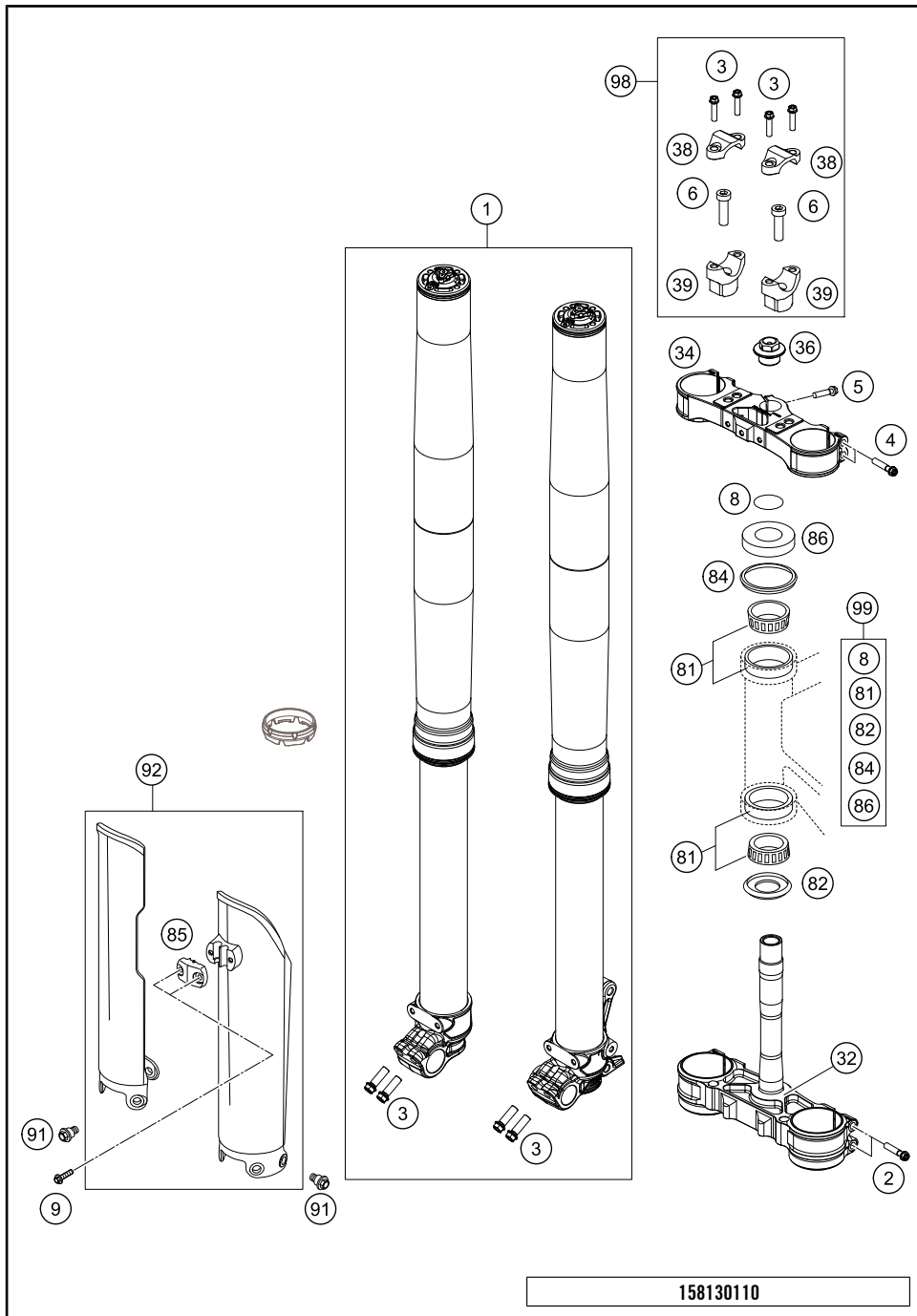


28



All information contained is without obligation. HUSQVARNA MOTORCYCLES GmbH particularly reserves the right to modify any equipment, technical specifications, prices, colors, shapes, materials, services, service work, constructions, equipment and the like so as to adapt them to local conditions or to cancel any of the above items, all without previous announcement and without giving reasons. KTM may stop manufacturing certain models without previous notice. HUSQVARNA MOTORCYCLES shall not be held liable for any deviations of availability and/or ability to deliver, illustrations, descriptions, printing and/or other errors. The illustrated models partly contain extra equipment, which is not applied to standard models.

© by HUSQVARNA MOTORCYCLES GmbH, Mattighofen AUSTRIA; All rights reserved; Reprint, also in extracts, with written allowance of HUSQVARNA MOTORCYCLES GmbH, Mattighofen only.

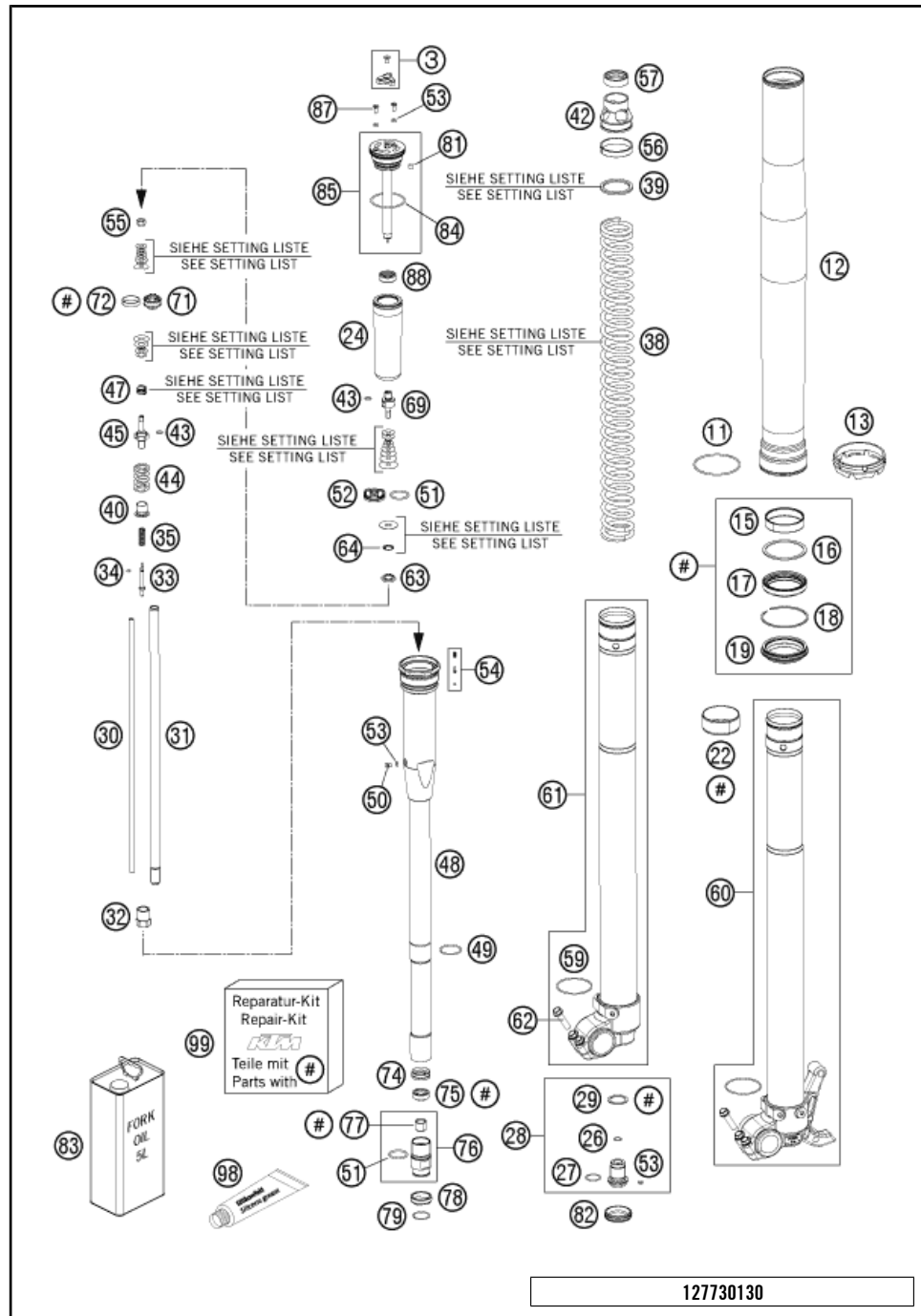


POS	PARTNUMBER	PARTNAME	PIECE
1	14187M0801	FORK WP 450 SMR 13	1
2	0025080506	HH COLLAR SCREW M8X50 TX40	4
3	0025080256	% HH COLLAR SCREW M8X25 TX40	8
4	0025080406	HH COLLAR SCREW M8X40 TX40	4
5	0015080256S	% HH COLLAR SCREW M8X25 WS=10	1
6	0032100356S	AH-COLLAR SCREW M10X35 ISA45	2
8	0770025035	O-RING 25X3,55 NBR70 05	1
9	0017060206	SCREW F. PLASTIC K60X20AL SW6	2
32	7890103211630	BOTTOM TRIPLE CLAMP CPL.	1
34	7890103411630	TOP TRIPLE CLAMP SMR X=16MM	1
36	70009082000	AXLESCREW M20X1.5; SW17	1
38	77201038100	HANDLEBAR CLAMP 28MM XC	2
39	59401039032	HANDLEB.SUPP. D=28MM H=32MM 05	x
39	59401039037	HANDLEB.SUPP. D=28MM H=37MM 05	2
39	59401039042	HANDLEB.SUPP. D=28MM H=42MM 05	x
81	54201081100	TAPERED ROLLER BEARING CPL. 06	2
82	77701084000	O-RING SUPPORT W. SEALING LIP	1
84	54601184000	STEERING HEAD GASKET TOP	1
85	59001085100DA	CLAMP FOR SPEED CABLE D=6MM	1
86	78101086000	STEERING HEAD COVER	1
91	59001092050	SPECIAL SCREW M6X12,5 WS=8	6
92	59001094100DA	FORK PROTECT. L/S+R/S 2015	1
98	00050000921	HANDLEBAR SUPPORT KIT D28/H37	x
99	00050000930	STEERING HEAD REP. KIT 06-15	x

158130110

C158130113

* NEW PART X ON DEMAND



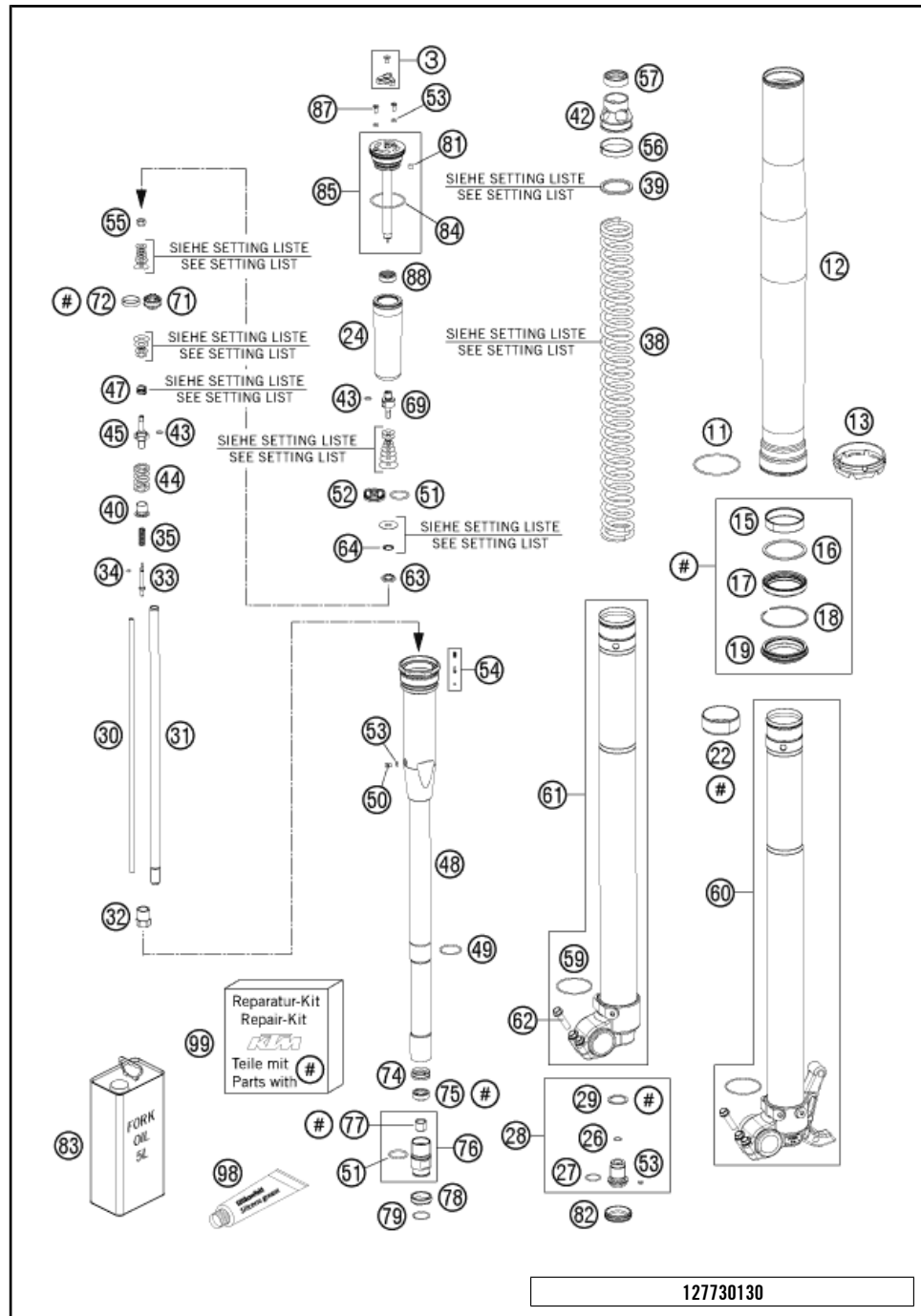
POS	PARTNUMBER	PARTNAME	PIECE
3	48600811S	ADJUSTING KNOB + SCREW	2
11	48600016	GUIDING RING D=58MM	2
12	48600761	OUTER TUBE L577 D54/60MM	2
13	48600698	FORK PROTECTION RING 08	2
15	48601009	GUIDING BUSH 48X52X12 R11	2
16	48600013	SUPPORT RING 50 X 57,6 X 1,5	2
17	48600969	OIL SEAL RING D48 SKF	2
18	48600070	LOCK WASHER SB58	2
19	48600968	DUST SEAL DL D48 SKF	2
22	48601008	GUIDING BUSH 47X49X20 R11	2
24	48600281	MEMBRANE	2
26	48600301	O-RING NBR 9,5X1,5	2
27	46810811	O-RING NBR 17X2 PA	2
28	48600280S	SCREW BUSH M20X1 L=33 CPL.	2
29	48600275	COPPER WASHER 20,5X26X1	2
30	48600726	ADJUSTING TUBE L351	2
31	48600723	PISTON ROD D=12 M9X1 L=385	2
32	48600459	COUNTERNUT M12X1 WS17	2
33	48600277	ADJUSTER NEEDLE 07	2
34	48600298	O-RING 2X1,5 NBR	2
35	48600444	REBOUND SPRING C=4N/MM	2
38	91410054S	SPRING 4,8 N/MM SET D=5,25MM	x
38	91410058S	SPRING D43.2 L465 5N/MM SET	x
39	48600456	SPACER 43X35X2,5	x
39	48600457	SPACER 43X35X5	x
39	48600458	SPACER 43X35X1,5	x
40	48600525	GUIDING BUSH REBOUND SPRING	2
42	48600520	SPRING SUPPORT	2
43	48600299	O-RING 6X1,2 NBR	4
44	48600578	SPRING REB. L=32 C=37 DI=13,9	2
45	48600576	PISTON ROD REBOUND	2
47	48600382	SHUTTLE VALVE SPRING C=0,4	2
47	35480377	SPRING CHECK VALVE D=0,5	2
48	48600519S3	MEMBRANE HOLDER INKL. PIN SET	2
49	48600512	LOCK WASHER D=25,5	2
50	48600542	AH SCREW M4X6	2
51	46811499	O-RING NBR 21X2	4
52	48600047	PISTON COMPRESSION D=27,9	2

127730130

C147890130

* NEW PART

X ON DEMAND

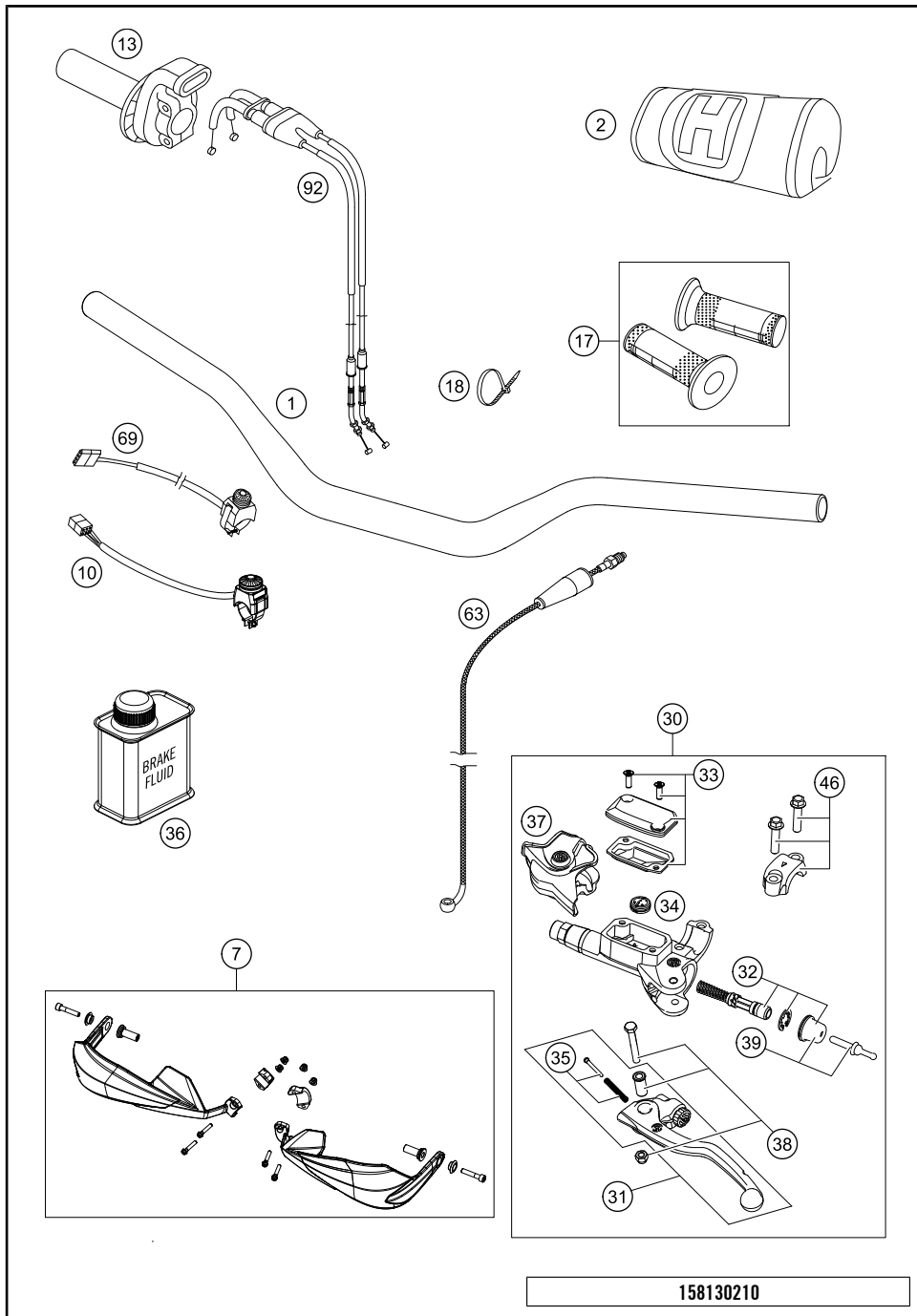


POS	PARTNUMBER	PARTNAME	PIECE
53	50180222	O-RING NBR 4X1,5	8
54	48600977S	PIN KIT	2
55	40540486	NUT M6X0,5 REBOUND	2
56	48600744	GUIDE RING 44 X39	2
57	48600577	RING SPRING-SUPPORT	2
59	48600048	O-RING NBR 46 X 2	2
60	48600865S2	AXLE CLAMP	1
61	48600864S1	FORK AX.PASS + TUBE CPL.	1
62	0025080256	% HH COLLAR SCREW M8X25 TX40	4
63	48600163	CHECK VALVE NUT M6X0,5 D=2	2
64	48600202	SPRING CHECK VALVE D=0,7	2
69	48600509	PISTON ROD COMPRESSION	2
71	48600575	PISTON REBOUND SX 2007	2
72	48600455	PISTON RING 5X1X68	2
74	48601056	RING 23,45X8,9	2
75	48600471	PISTON ROD SEALING	2
76	48601055S	SCREW SLEEVE M24,5X1 CPL.	2
77	48600430	DU BUSH FOR PISTON ROD	2
78	48600709	CHECK VALVE STOP	2
79	48600446	LOCK WASHER D=20	2
81	15080017	SILICON CAP	2
82	48600692	RUBBER CAP D=26,4	2
83	48601166S1	FORK OIL SAE4 5L	1
84	40140024	O-RING NBR 43X2	2
85	48600516S1	% SCREW CAP CPL. L=125	2
87	48600526	SCREW M4X10	4
88	48600514	MEMBRANE SLEEVE	2
98	T511	SILICONE GREASE F. DUST STRI	1
99	R14020	SXS SERVICE KIT	1

127730130

C147890130

* NEW PART X ON DEMAND

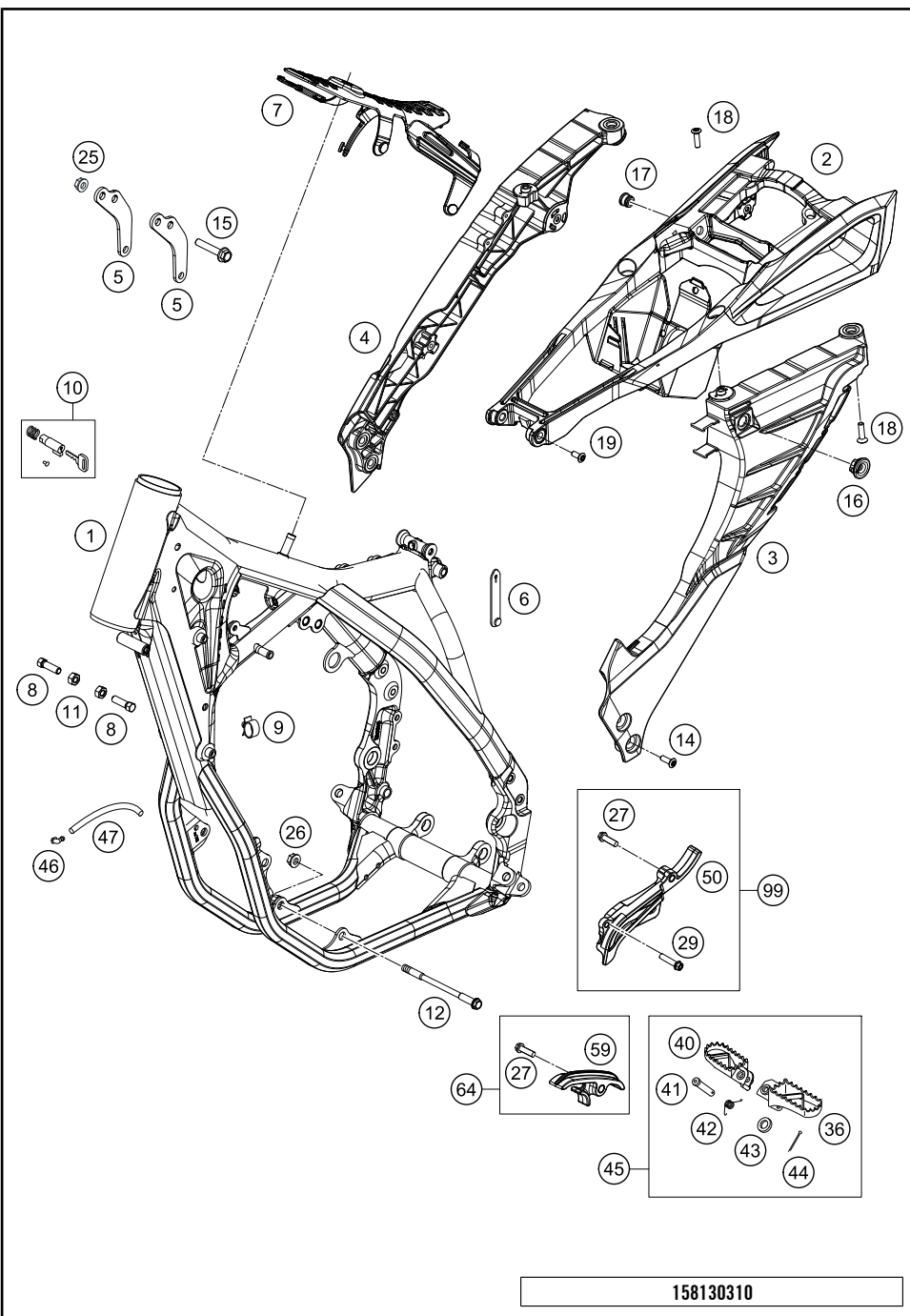


POS	PARTNUMBER	PARTNAME	PIECE
1	7770200110030	HANDLEBAR BLACK	1
2	80302602144	BAR PAD 2015	1
7	7800207920028	HANDGUARD CLOSED WHITE	1
10	50311089200	SHORT CIRCUIT BUTTON 02	1
13	78102010000	THROTTLE GRIP CPL.	1
17	80302021000	GRIP SET BLACK/WHITE	1
18	44011076200	CABLE TIE 200/3,6MM BLACK	x
18	44011076140	CABLE TIE 140/2,5MM BLACK	x
30	54802030144	MASTER CYLINDER CPL.	1
31	54802031000	CLUTCH LEVER CPL. BREMBO 06	1
32	54802032000	REP. KIT PISTON 06	1
33	5480200310030	COVER HYD. CLUTCH CPL. 2014	1
34	54802051000	VALVE	1
35	54802052000	BOLT KPL.	1
36	00062030000	BRAKE FLUID DOT5.1 0,25L	1
37	54802037000	PROTECTION CAP 06	1
38	54802038100	LEVER SCREW CPL. 06	1
39	54802046000	PUSH ROD CPL.	1
43	58412040000	MIRROR L/S 98	x
43	58412041000	MIRROR R/S 98	x
46	54802005100	CLAMP CPL. 06	1
63	78132063000	CLUTCH PIPE	1
69	78111074000	STARTER BUTTON GREY 13	1
92	78102091000	THROTTLE CABLE 4T. 13	1

158130210

C158130215

* NEW PART X ON DEMAND

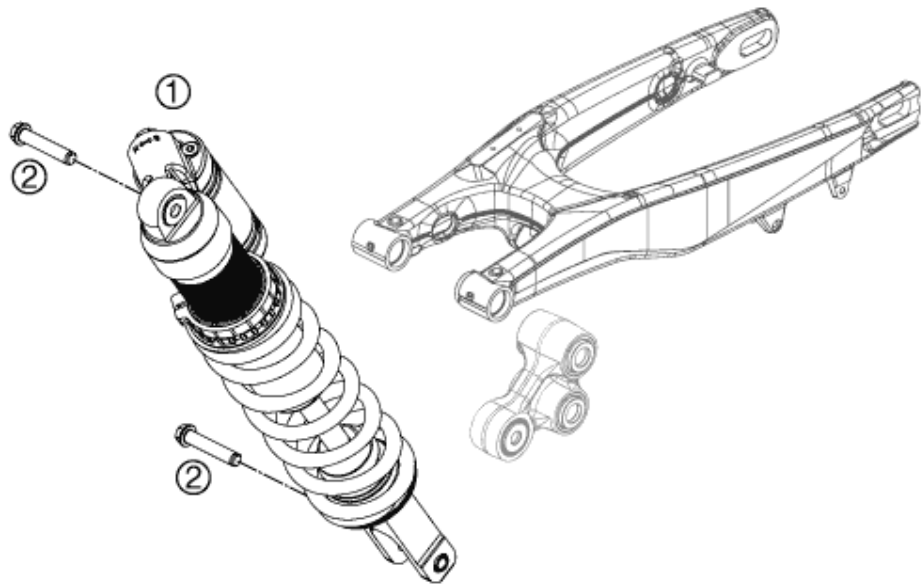


POS	PARTNUMBER	PARTNAME	PIECE
1	8130360100028	FRAME 450 FC 2014	1
2	8130300211030	SUB FRAME UPPER PART CPL. 14	1
3	8130300222030	SUB FRAME L/S cpl.	1
4	8130300213030	SUB FRAME R/S CPL. 2014	1
5	78903013000	REINFORCING	2
6	60011093075	RUBBER CABLE TIE 75MM 03	1
7	77207012000	TANK REST RUBBER	1
8	59001037000	SPECIAL SCREW M8X26 WS=10	2
9	58111076000	CABLE SUPPORT KHS NR.150-47610	1
10	78103035000	STEERING HEAD LOCK	1
11	0934080003	HEXAGON NUT DIN0934-M 8	2
12	59003013000	ENGINEBRAC.SCREW M10X123 WS=13	2
14	0035080206S	AH-COLLAR SCREW M8X20 ISA45	4
15	56530079000S	HH COLLAR SCREW M8X44 WS13	3
16	47106003160	QUICK CONNECTOR CLUTCH	3
17	81303002011	SPACER BUSHING 12X9X6,2	2
18	0019080306S	COUNTER-SUNK SCREW ISA45 M8X30	4
19	0035080306S	AH-COLLAR SCREW M8X30 ISA45	2
25	06923080003	HEXAGON NUT DIN EN1661 M8 SW13	3
26	54310086100	SELF LOCKING NUT M10 CU WS=14	2
27	0025080306	HH COLLAR SCREW M8X30 TX40	2
29	0025060306	HH COLLAR SCREW M6X30 TX30	1
36	78003040050	FOOTREST L/S 08	1
40	78003041050	FOOTREST R/S 08	1
41	54803044000	PIN FOR FOOT PED 51.5X9.8 MM	2
42	54603041000	FOOTREST SPRING L/S & R/S	2
43	0125100003	WASHER DIN0125-A10,5	2
44	0094032250	PIN DIN 0094-3.2X25 NIRO	2
45	47103040033	FOOTREST CPL. 14	1
46	50303089000	ANGLE PIECE '97	2
47	55007016001	PVC-HOSE 7X10 PER METER	0
50	78103096000	CHAIN GUARD 450/500 EXC 12	1
59	77203053000	CHAIN SLIDING PIECE BELOW	1
64	77203053010	CHAIN SLIDING KIT BELOW CPL.11	1
99	78103096010	SPROCKET COVER KIT	x

158130310

C158130315

* NEW PART X ON DEMAND



POS	PARTNUMBER	PARTNAME	PIECE
1	1815700801	MONOSHOCK FS 450 2015	1
2	77204089000	HH COLLAR SCREW M10X52 SW13	2

117710410

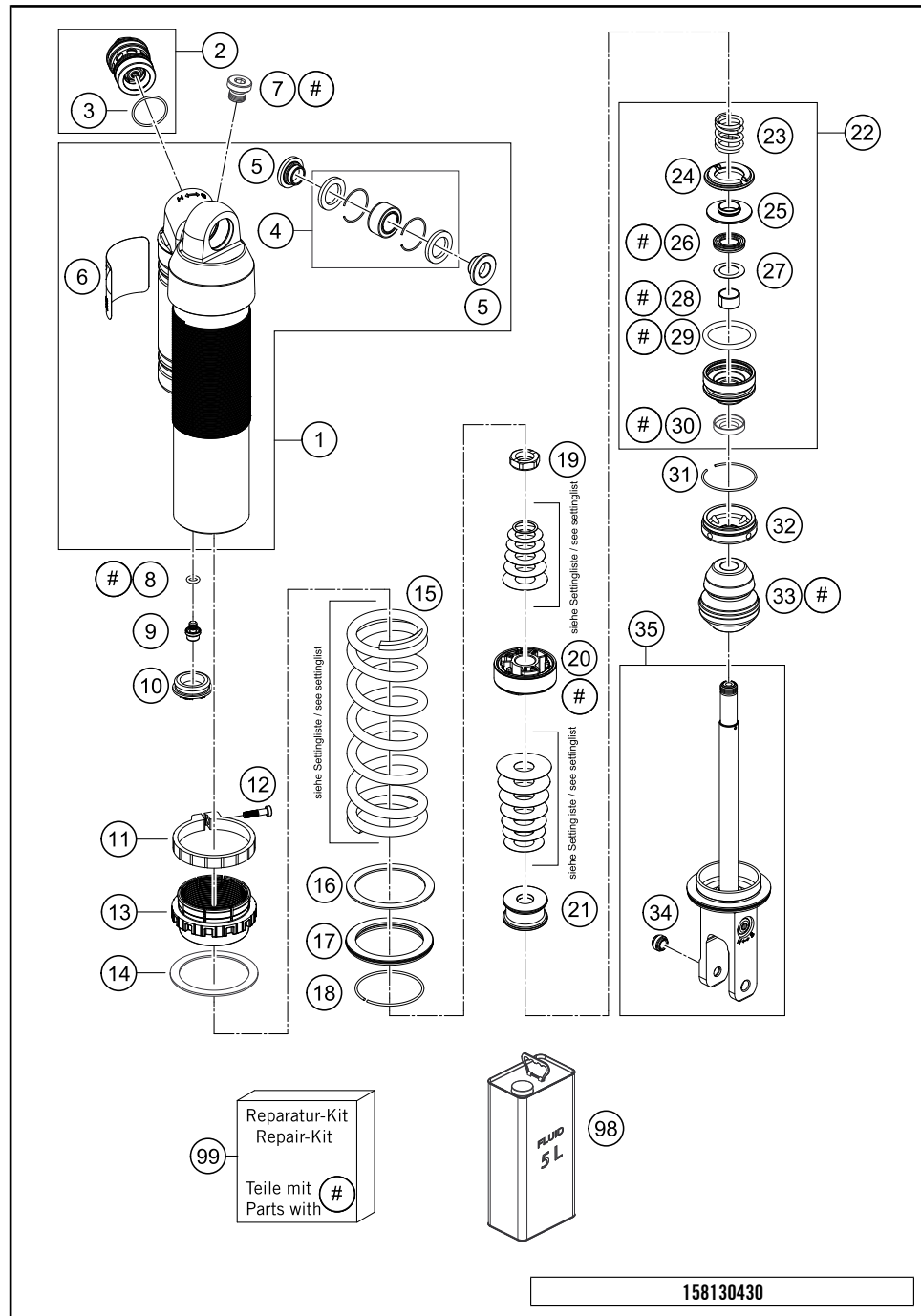
C158130410

* NEW PART

X ON DEMAND

SHOCK ABSORBER DISSASSEMBLED

FS 450 EU 2015



POS	PARTNUMBER	PARTNAME	PIECE
1	50180944S1	MONOSHOCK UPPER PART CPL.	1
2	50180213S16	DCC COMPR.DAMP.CON. SMR 2012	1
3	50180218	O-RING 25X1,5 VITON	1
4	R12012	REP. KIT BEAR./SEAL UP. 07	1
5	46180010	BUSH KGW 10X24	2
6	52000087	STICKER WP MONOSHOCK	1
7	50180095	BLEED PLUG R 1/8	1
8	46810893	O-RING NBR 5,28X1,78	1
9	36120151	SCREW PLUG M5X6	1
10	46811208	RUBBER CAP "DO NOT OPEN"	1
11	50180937	TENSIONING RING D64 H10	1
12	14460042	%ALLENHEAD SCREW M5 L=20 STAIN	1
13	50180938	ADJUSTING NUT PLASTIC	1
14	50180965	SPACER RING SPRING 61,3X78X3	1
15	91210103S	SPRING 260 54 N/MM	x
15	91210104S	SPRING 260 57 N/MM	x
15	91210105S	SPRING 260 60 N/MM	x
16	50180793	SPACER RING ADJUSTING NUT	1
17	50180824	VALVE SPRING D80 CLOSED	1
18	50180273	CIRCLIP 58,2X2	1
19	50180141	PISTON ROD NUT M16X1	1
20	50180786S	PISTON D50	1
21	50180988	REBOUND DISC D43 H15	1
22	50180603SA	ADAPTER D50 H28 CPL.	1
23	50180780	REBOUND SPRING	1
24	50180798	REBOUND RUBBER	1
25	50180800	SPRING RING	1
26	50180605S	SEAL D18X30X5 08	1
27	50180604	SHIM D29,75 X D19 X T0,4 08	1
28	46180119	DU-BUSH 18X20X12	1
29	50180103	O-RING 41X5	1
30	50180606	DUST SEAL 1828 08	1
31	50180126	CIRCLIP 53X1,75	1
32	50180626	RESERVOIR CAP D=50 H=10 09	1
33	50180775	BUMP RUBBER	1
34	46811205	ADAPTOR-BUSH M10x1,50, D=15	1
35	50180773SA1	MONOSHOCK BOTTOM PART CPL.	1

158130430

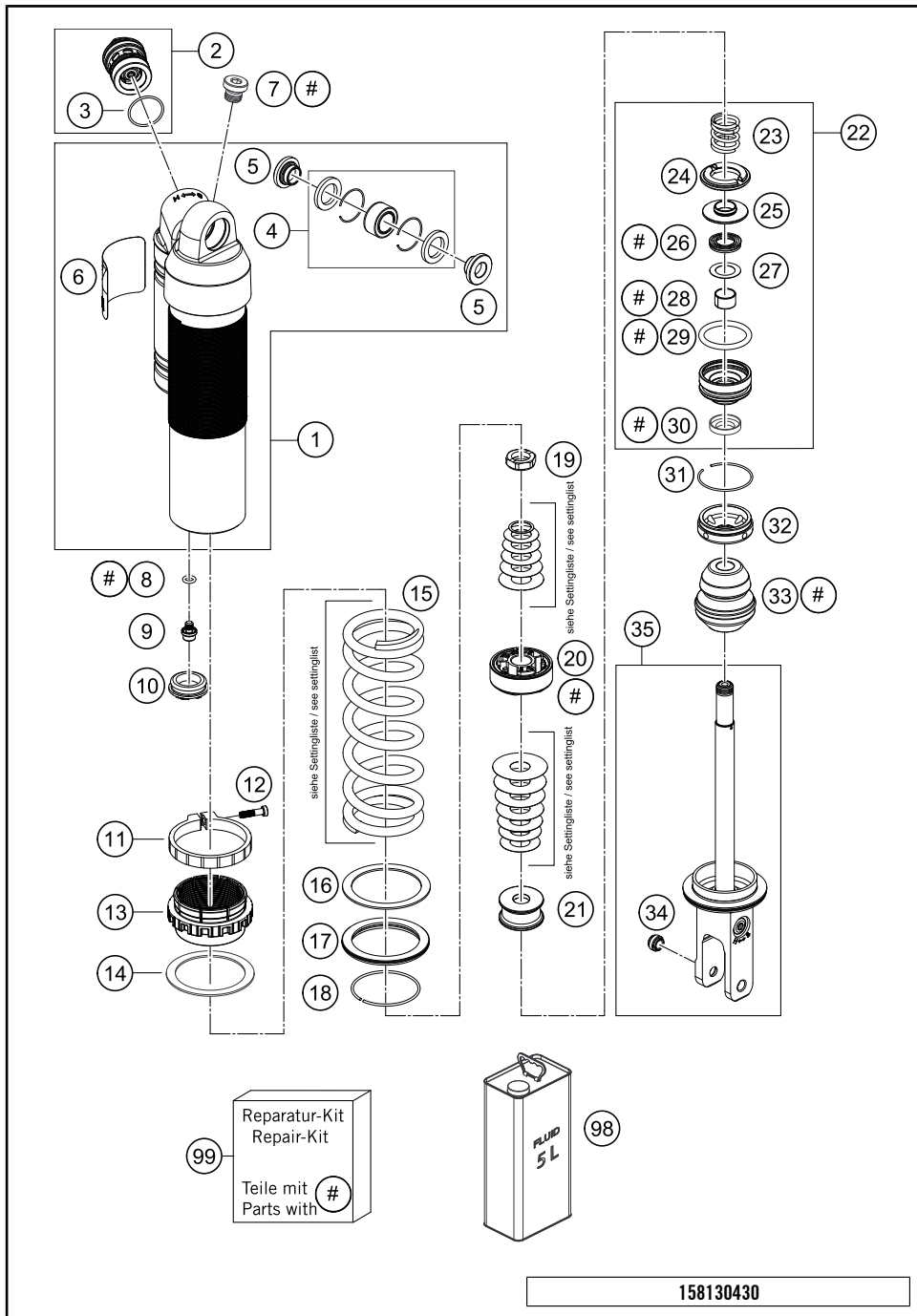
C158130430

* NEW PART

X ON DEMAND

SHOCK ABSORBER DISSASSEMBLED

FS 450 EU 2015

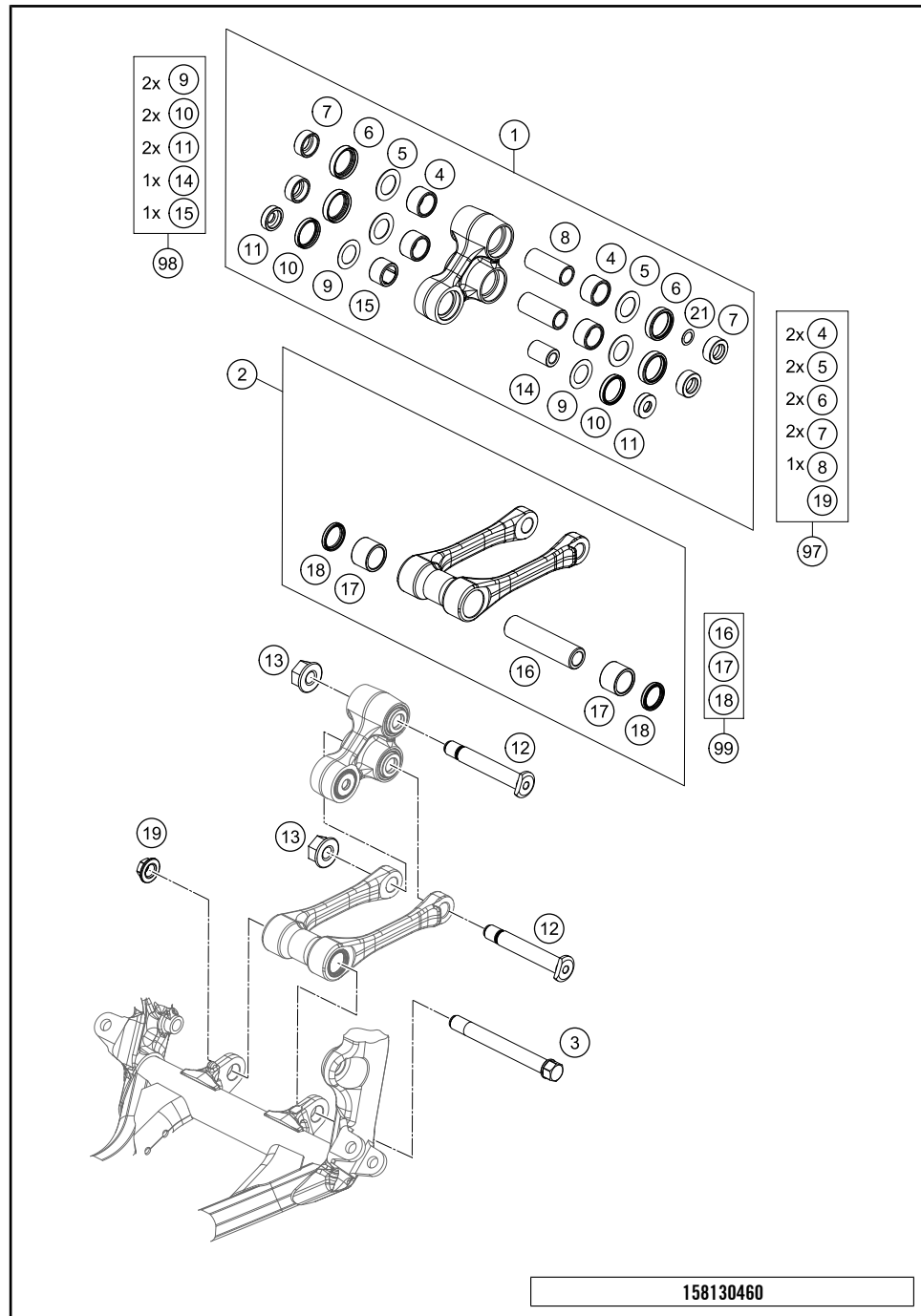


POS	PARTNUMBER	PARTNAME	PIECE
98	50180751S1	SHOCK ABSORBER FLUID 5 LT	1
99	R12018	REPAIR-KIT	1

* NEW PART

X ON DEMAND

C158130430



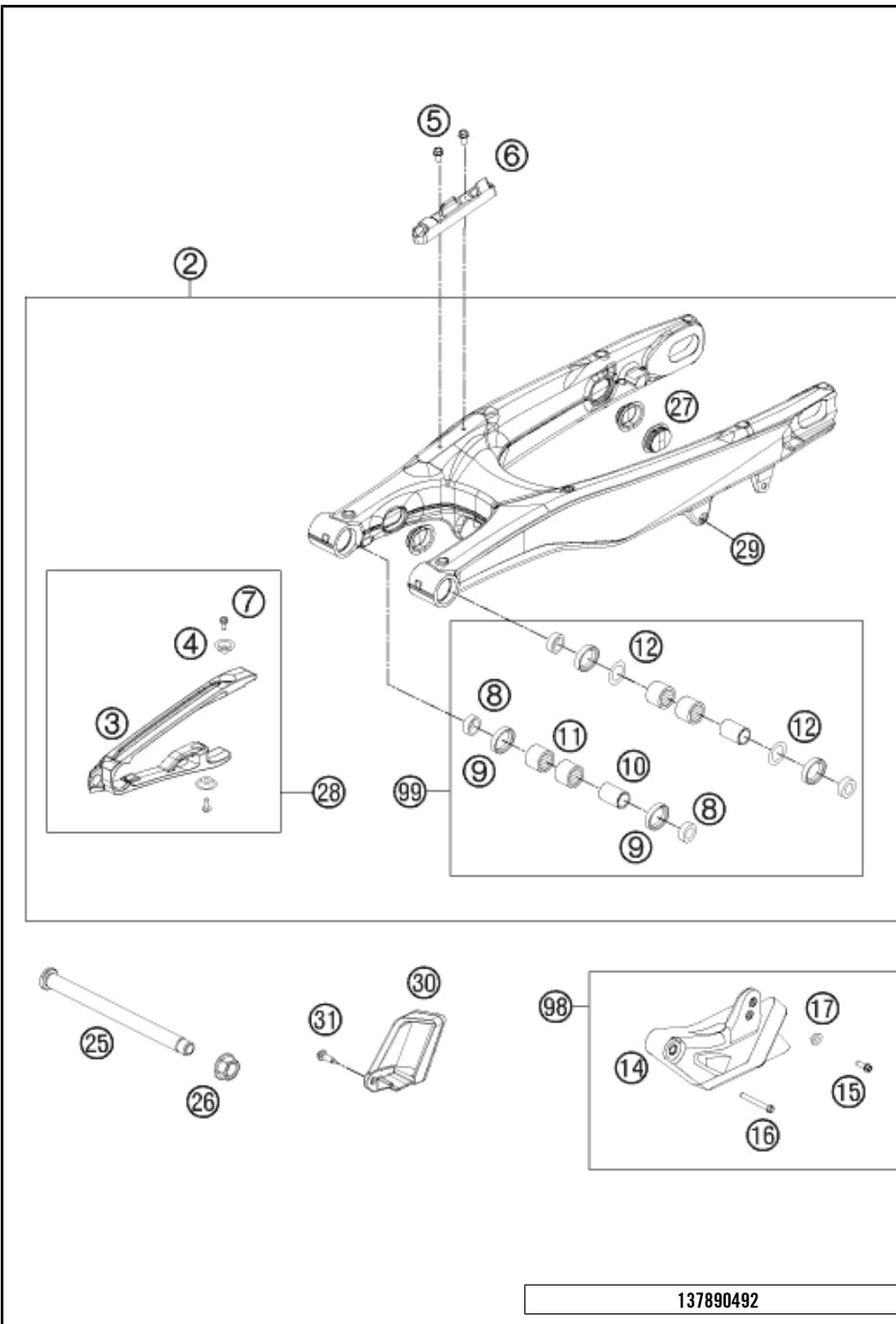
POS	PARTNUMBER	PARTNAME	PIECE
1	7720408014401	TRIANGLE LEVER CPL. SX 2013	1
2	7770408304401	PULL ROD CPL. SX 15	1
3	77204084000	PULL ROD ANCHOR BOLT	1
4	54603097000	NEEDLE BUSH HK 2016	4
5	59033080000	SHIM 20X32X1	4
6	0760253270	SHAFT SEAL RING 25X32X7	4
7	77204080130	BUCKET SHAFT SEAL RING 25X11	4
8	54603081000	BUSHING SLEEVE 15 X 20 X 48	2
9	50180604	SHIM D29,75 X D19 X T0,4 08	2
10	0760243050	SHAFT SEAL RING 24X30X5	2
11	77204080020	BUCKET FOR SHAFT SEAL RING	2
12	77204085000	BOLT FOR CANTILEVER M14	2
13	77204087000	HEX NUT M14X1.5 SW17	2
14	77204080010	BEARING SLEEVE 10X18X25,5	1
15	0618182416	NEEDLE BUSH HN1816 RS 18/24/16	1
16	77204084010	BEARING SLEEVE	1
17	0618222820	NEEDLE BEARING HK2220 22X28X20	2
18	0760222841	SHAFT SEAL RING G22x28x4	2
19	77204087000	HEX NUT M14X1.5 SW17	1
21	54603090010	STEEL WASHER 15,2X19X0,1	x
21	54603090020	STEEL WASHER 15,2X19X0,2	x
21	54603090030	STEEL WASHER 15,2X19X0,3	x
97	77204080110	TRIANGLE LEVER REP. KIT REAR	x
98	77204080090	TRIANGLE LEVER REP. KIT FRONT	x
99	77204083010	PULL ROD REP. KIT SX/SX-F	x

158130460

C158130460

* NEW PART

X ON DEMAND



POS	PARTNUMBER	PARTNAME	PIECE
2	78904030244	SWING ARM CPL. 2014	1
3	77204066000	% CHAIN SLIDING PROTECTION	1
4	77304066050	BUSHING F. CHAIN SLIDING PR.07	2
5	0009050106	EJOT SPIRAL SCREW SF M5X10-K	2
6	76504042000	BRAKE LINE GUIDE 08	1
7	59009062013	SPECIAL SCREW M6X13 WS=8 10.9	2
8	54804034000	BUCKET F. SHAFT SEAL RING 03	4
9	0760253270	SHAFT SEAL RING 25X32X7	4
10	59404032000	BEARING SLEEVE 17X22X38,7 03	2
11	0618222812	NEEDLEBEAR HK2212V 22/28/12 MB	4
12	54603036000	STOP DISK 22,2X31,7X1	2
14	77704070000	CHAIN GUIDE REAR CPL. SX 2013	1
15	59009062019	SPECIAL SCREW M6X19 WS=8 10.9	1
16	0025060456	HH COLLAR SCREW M6X45 TX30	1
17	77304070130	BUSH. F. CHAIN FAIL. PROT. 07	1
25	77304037000	SWINGARM BOLT M16X1,5 07	1
26	54804038000	SELF LOCK.NUT M16X1,5 WS=19 03	1
27	77204041000	CLOSING COVER	4
28	77204066010	CHAIN GUARD CPL. 11-15	1
29	54603055051	PRESS IN NUT M6 STEEL ZINC	1
30	77304260100	CHAIN STOP GUARD SMR 12	1
31	0017060205	SCREW FOR PLASTIC K60X20 SW6	1
98	77704070210	CHAIN GUIDE KIT REAR SX-F 14	1
99	54804230010	SWINGARM REP. KIT	x

137890492

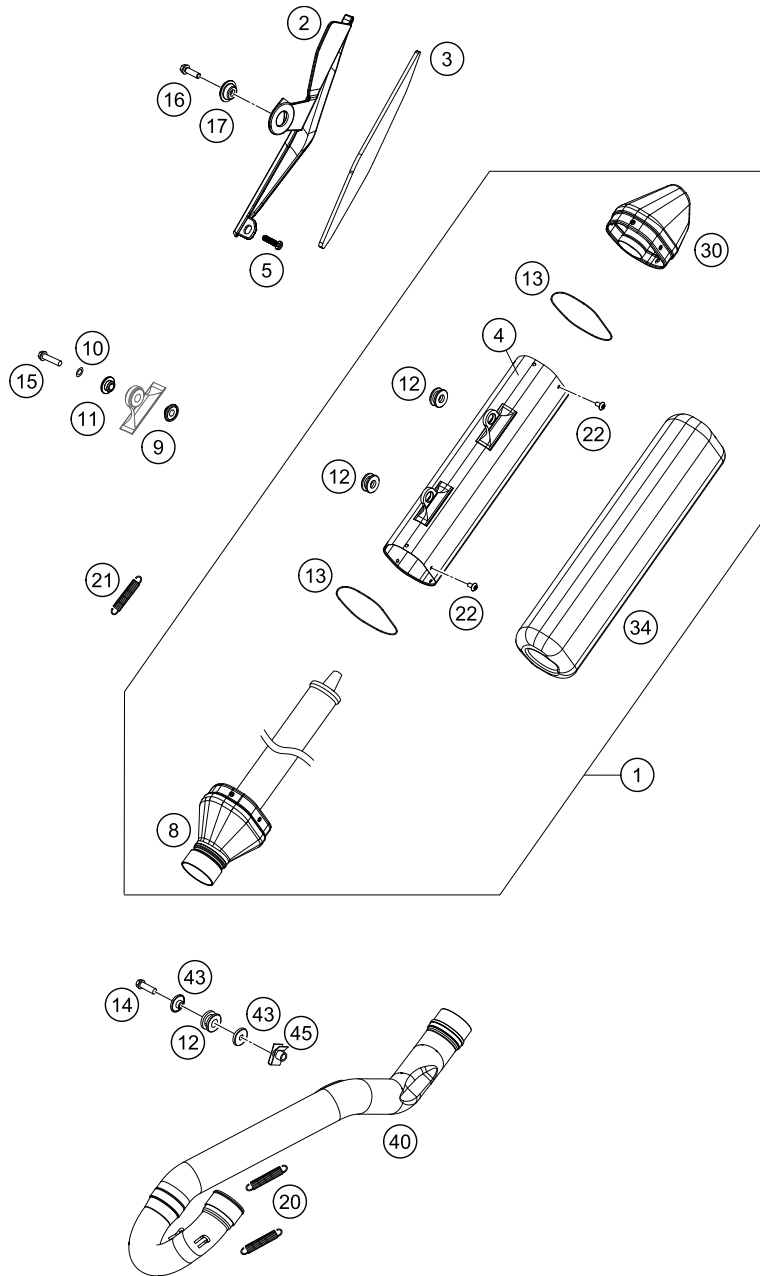
C158130490

* NEW PART

X ON DEMAND

EXHAUST SYSTEM

FS 450 EU 2015



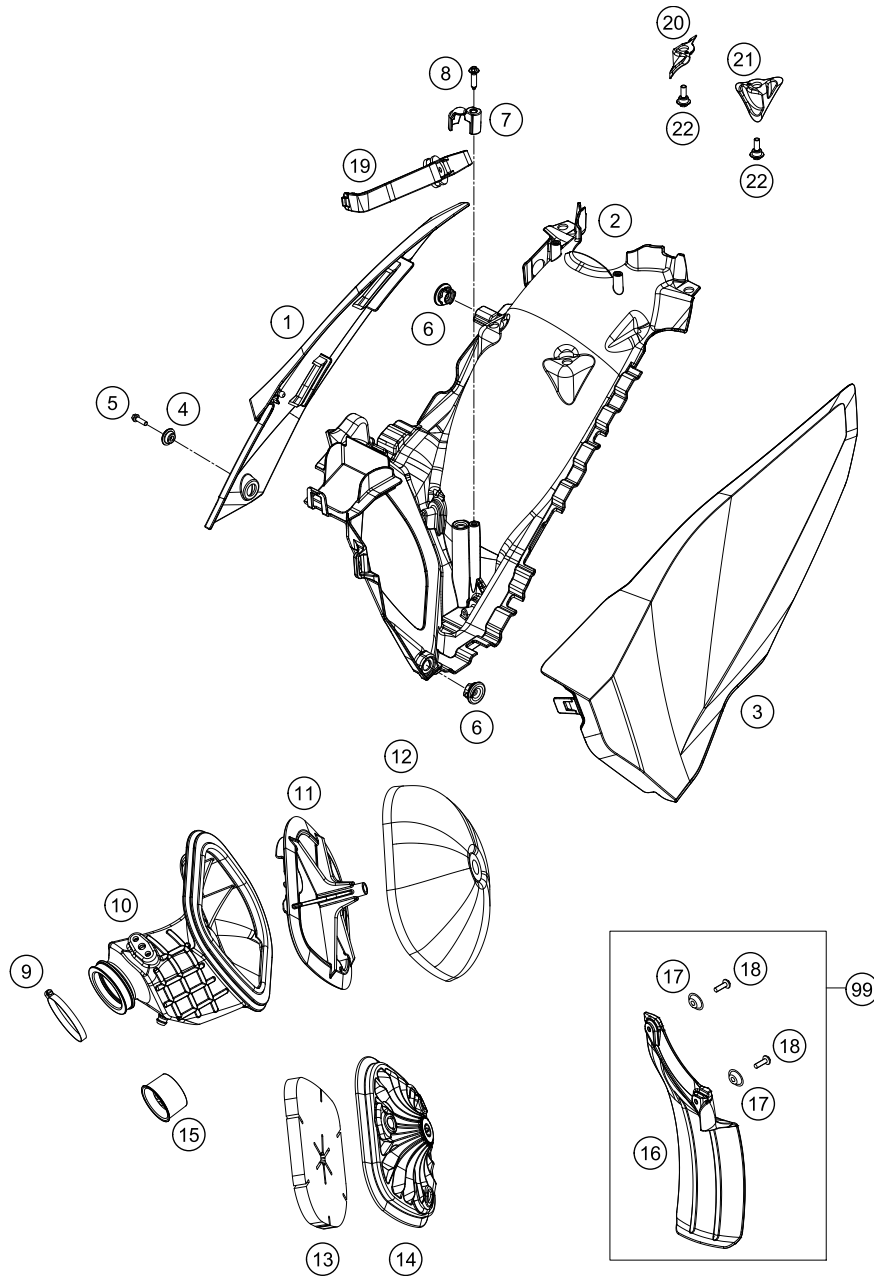
POS	PARTNUMBER	PARTNAME	PIECE
1	81305679000	SILENCER 350/450FC	1
2	8130501100030	HEAT SHIELD BLACK	1
3	81305011050	THERMAL PROTECTION FOIL	1
4	81305679080	SILENCER HOUSING	1
5	0081050121	SCREW FOR PLASTIC K50X12 T20	1
8	77805079050	CONNECTING CAP CPL.	1
9	81305069000	BUSHING 7,5X12X20	2
10	0137060003	SPRING WASHER DIN0137-B 6	2
11	77205169000	BUSHING 7.5x12x28x8.3 11	2
12	77205068000	DAMP. COMPON. BLACK	3
13	0770740015	O-RING 74,00X1,50 FKM 75SH	2
14	0025060306	HH COLLAR SCREW M6X30 TX30	1
15	0025060356	HH COLLAR SCREW M6X35 TX30	2
16	0025060206	HH COLLAR SCREW M6X20 TX30	1
17	77308013010	COLLAR BUSH. F.REAR FENDER 07	1
20	50305016000	TEN.SPRING L=62MM EY.MOVEABLE	2
21	50305116000	TEN.SPRING L=75MM EY.MOVEABLE	1
22	78105081010	SCREW TORX M5X10	10
30	77105079060	ENDCAP CPL.	1
34	78905078700	ROCKWOOL PREFORMED	1
40	78905007000	EXHAUST SX-F	1
43	59405069000	BUSHING FOR EXHAUST SUPPORT 03	2
45	54603048000	RANGE CHANGE METAL NUT M8	1

148130525

C158130512

* NEW PART

X ON DEMAND



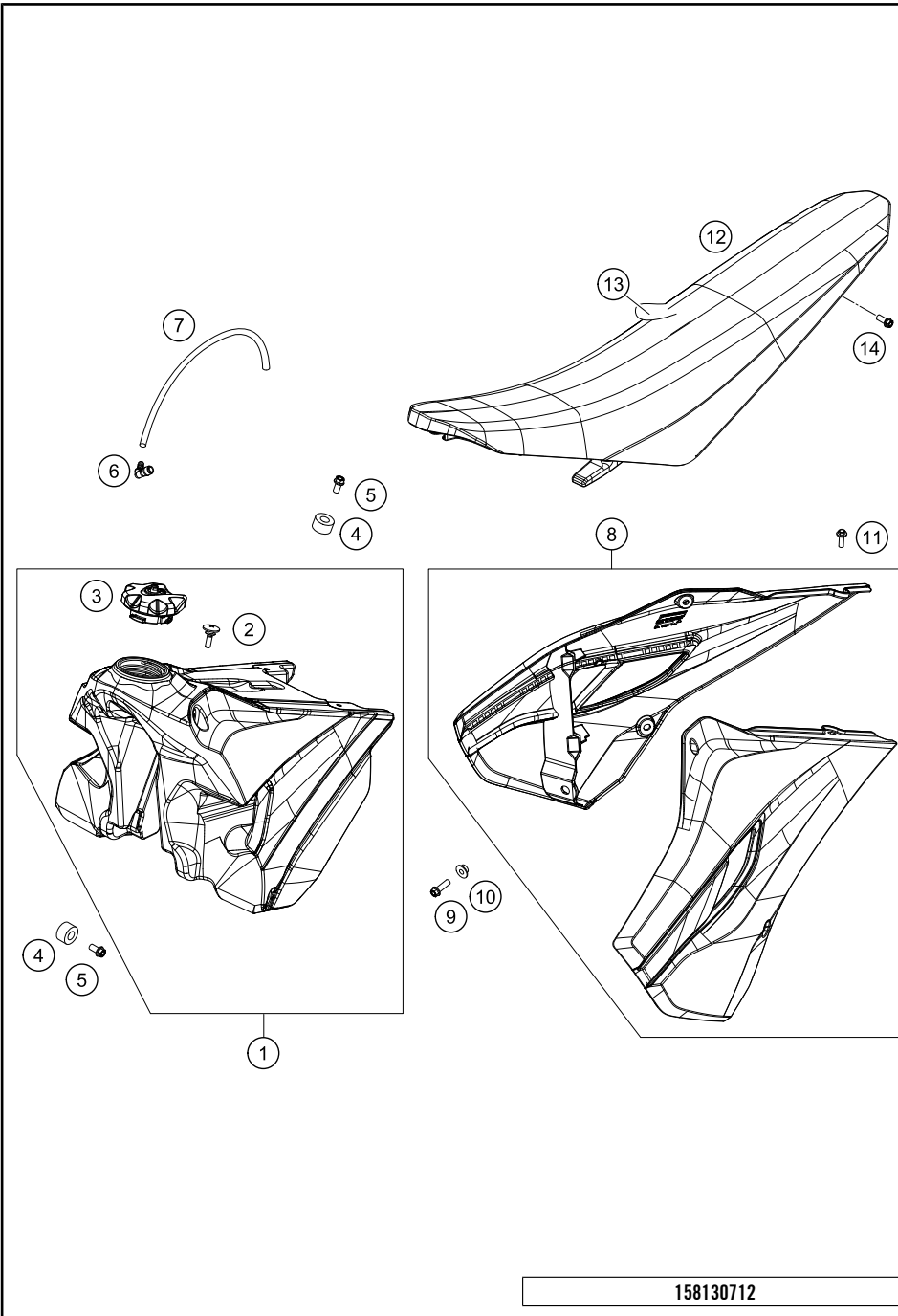
POS	PARTNUMBER	PARTNAME	PIECE
1	8130600400028E	FILTER BOX COVER R/S TE/FE 15 WITH DECAL	1
2	8130610130030	AIR BOX PART	1
3	8130600300028E	FILTER BOX COVER L/S TE/FE 15 WITH DECAL	1
4	77308013010	COLLAR BUSH. F.REAR FENDER 07	1
5	0025060206	HH COLLAR SCREW M6X20 TX30	1
6	47106003160	QUICK CONNECTOR CLUTCH	2
7	81306001010	FIXING CAP	1
8	0017060255	EJOT PT SCREW K60X25-Z SW6	1
9	78006027000	HOSE CLAMP 45-65MM	1
10	78906026000	INTAKEBOOT	1
11	77206016000	FILTER CARRIER 11	1
12	77206015000	AIR FILTER	1
13	78106014000	THROTTLE VALVE CAP FILTER	1
14	78106012000	THROTTLE VALVE CAP	1
15	78106012050	THROTTLE VALVE	1
16	77306010000	FENDER FOR FILTER BOX	1
17	77304066050	BUSHING F. CHAIN SLIDING PR.07	2
18	0017060206	SCREW F. PLASTIC K60X20AL SW6	2
19	81306017000	FILTER SUPPORT CPL.	1
20	8130600105130	COVER L/S	1
21	8130600105030	COVER R/S	1
22	83008100020	SCREW M6X20X5,5	2
99	77306010010	SPLASH PROTECTOR KIT SX/EXC	x

158130611

C158130614

* NEW PART

X ON DEMAND



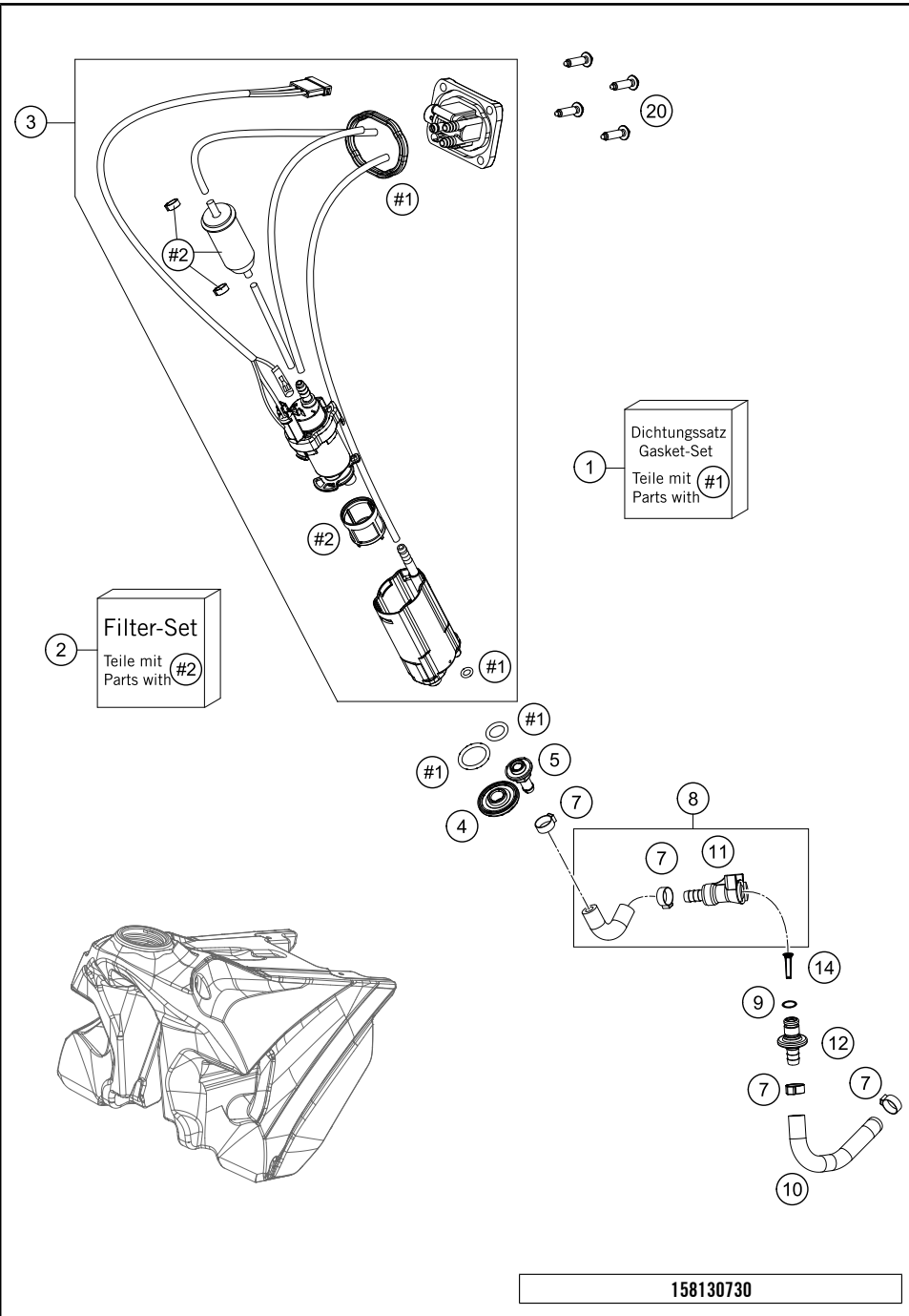
POS	PARTNUMBER	PARTNAME	PIECE
1	8130781304430	FUEL TANK CPL. 7,5L BLACK	1
2	50307011000	SCREW SEAT FASTENING D=6X23/18	1
3	7770700814455	TANK PLUG CPL. 2014	1
4	50307014000	TANK ROLLER 12X26X12 '98	3
5	0026060136	COLLAR SCREW M6X13 ISA30	3
6	50330022000	ANGLE PIEC 90 DEGREE M10X1 02	1
7	78007000270	PVC-HOSE 5,6X10X270MM	1
8	8130805400028D	SPOILER KIT WHITE TC/FC 2015 WITH DECAL	1
9	0025060206	HH COLLAR SCREW M6X20 TX30	2
10	50308052000	BUSH FOR SPOILER 6X11X16X5 MM	2
11	0017060206	SCREW F. PLASTIC K60X20AL SW6	8
12	81307840200	SEAT 2015	1
13	81307840250	SEAT COVER TC/FC 15	1
14	0025060206	HH COLLAR SCREW M6X20 TX30	2

158130712

C158130713

* NEW PART

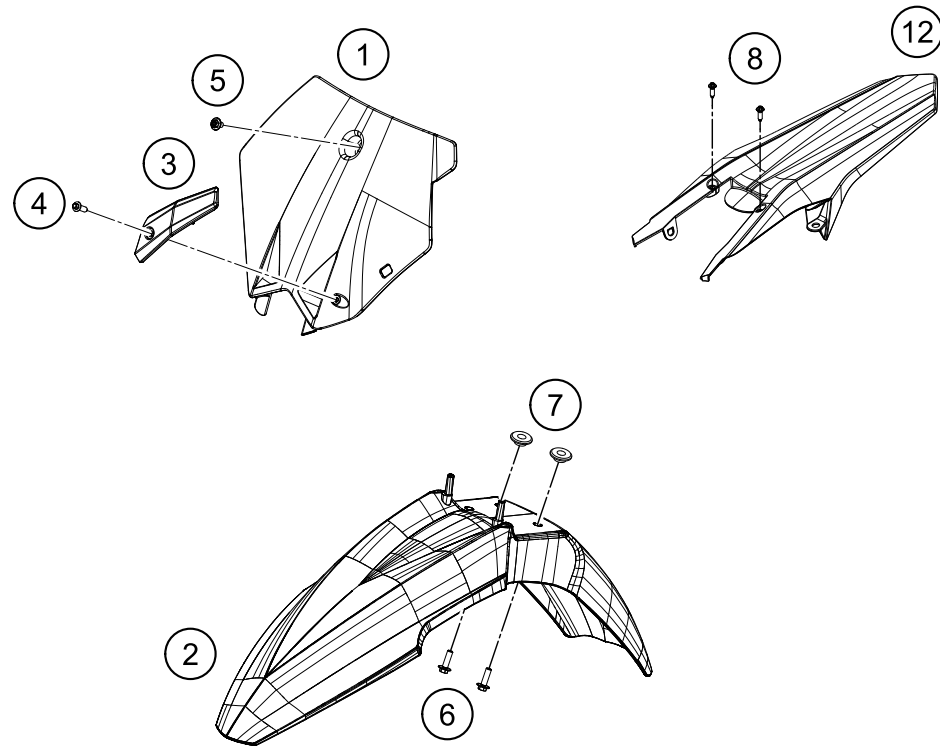
X ON DEMAND



POS	PARTNUMBER	PARTNAME	PIECE
1	78107089000	GASKET KIT	1
2	81207090000	FILTER KIT	1
3	78107088000	FUEL PUMP CPL. EXC	1
4	78107088014	NUT F. FUEL PUMP M12	1
5	78107088017	FUEL CONNECTOR M8	1
7	00050157706	VARIABLE ONE-EAR CLAMP 15,7MM	4
8	69007015000	FUEL PIPE (TANK) CPL.	1
9	58507012000	O-RING VITON F. PLUG CPC 05	1
10	78107016100	FUEL HOSE PREFORMED DKK	1
11	5850701050030	CLUTCH CPC BLACK 05	1
12	77707010000	CONNECTOR FUEL PUMP	1
14	78141013190	FUEL FILTER	1
20	0017060255	EJOT PT SCREW K60X25-Z SW6	4

* NEW PART

X ON DEMAND



POS	PARTNUMBER	PARTNAME	PIECE
1	5480800710028	NUMBER PLATE WHITE 2010	1
2	5030801020028	FRONT FENDER WHITE	1
3	54808019100	BRAKE HOSE GUIDE	1
4	0017060206	SCREW F. PLASTIC K60X20AL SW6	1
5	0024060106	HH COLLAR SCREW M6X10 TX30	1
6	0024060206	HH COLLAR SCREW M6X20 TX30	4
7	54808020000	SPACER BUSHING 03	4
8	0017060205	SCREW FOR PLASTIC K60X20 SW6	2
12	8130801310028	REAR FENDER	1

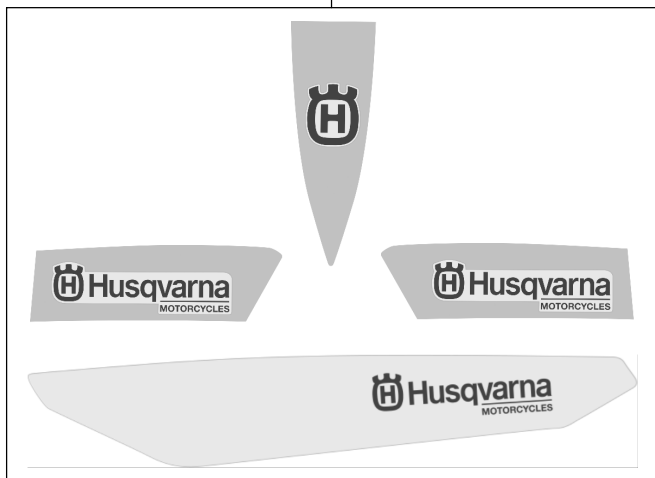
158130810

C158130810

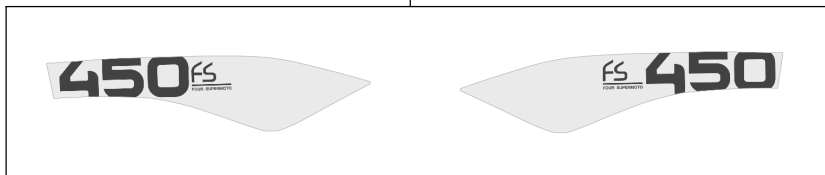
* NEW PART

X ON DEMAND

1



2



3



158130837

POS	PARTNUMBER	PARTNAME	PIECE
1	80308599200	DECAL KIT FS 450 2015	1
2	80308698500	DISPLACEMENT STICKERS 450FS 15	1
3	52000115	STICKER FRONT FORK-SET WP"4CS"	1

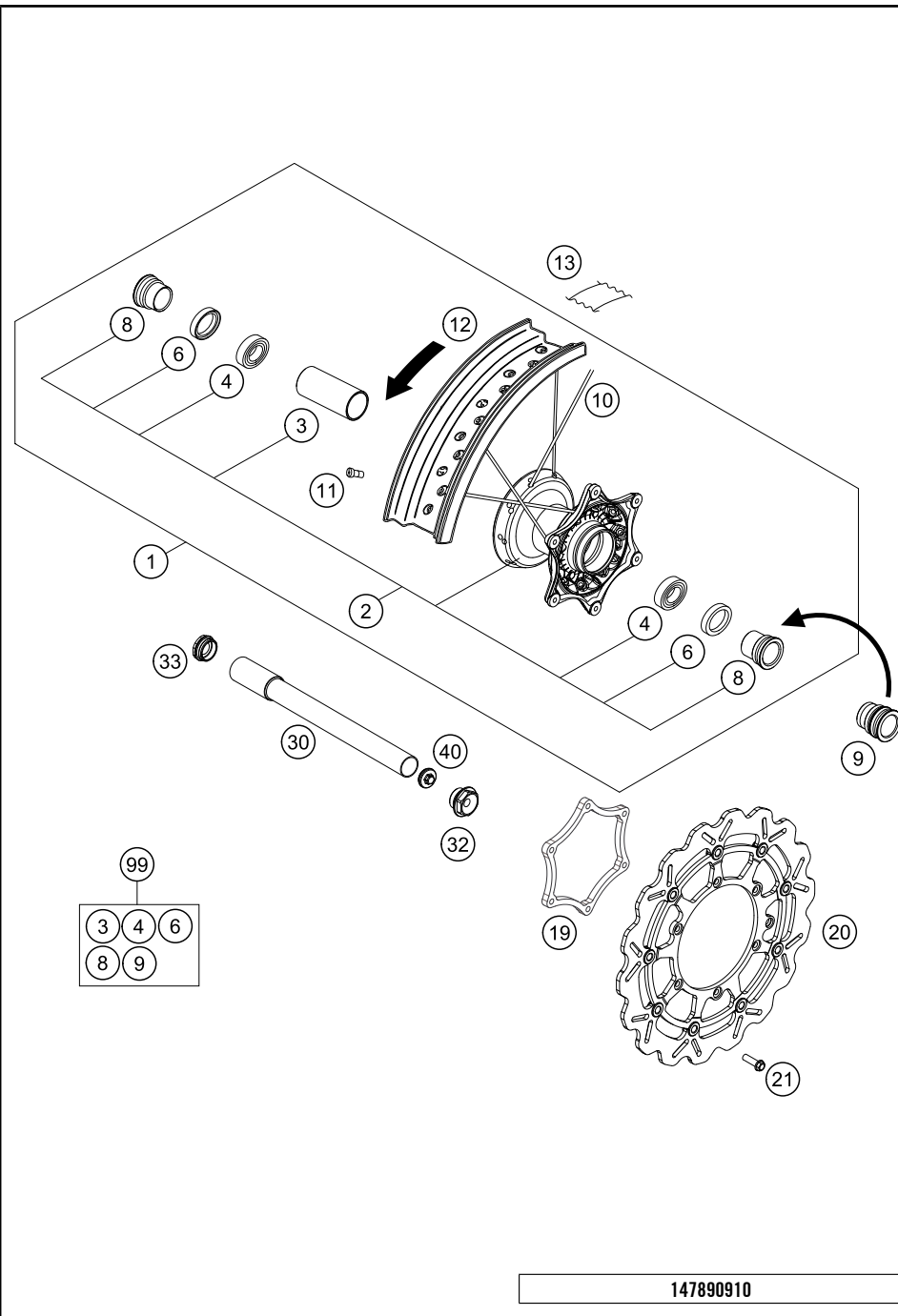
C158130837

* NEW PART

X ON DEMAND

FRONT WHEEL

FS 450 EU 2015



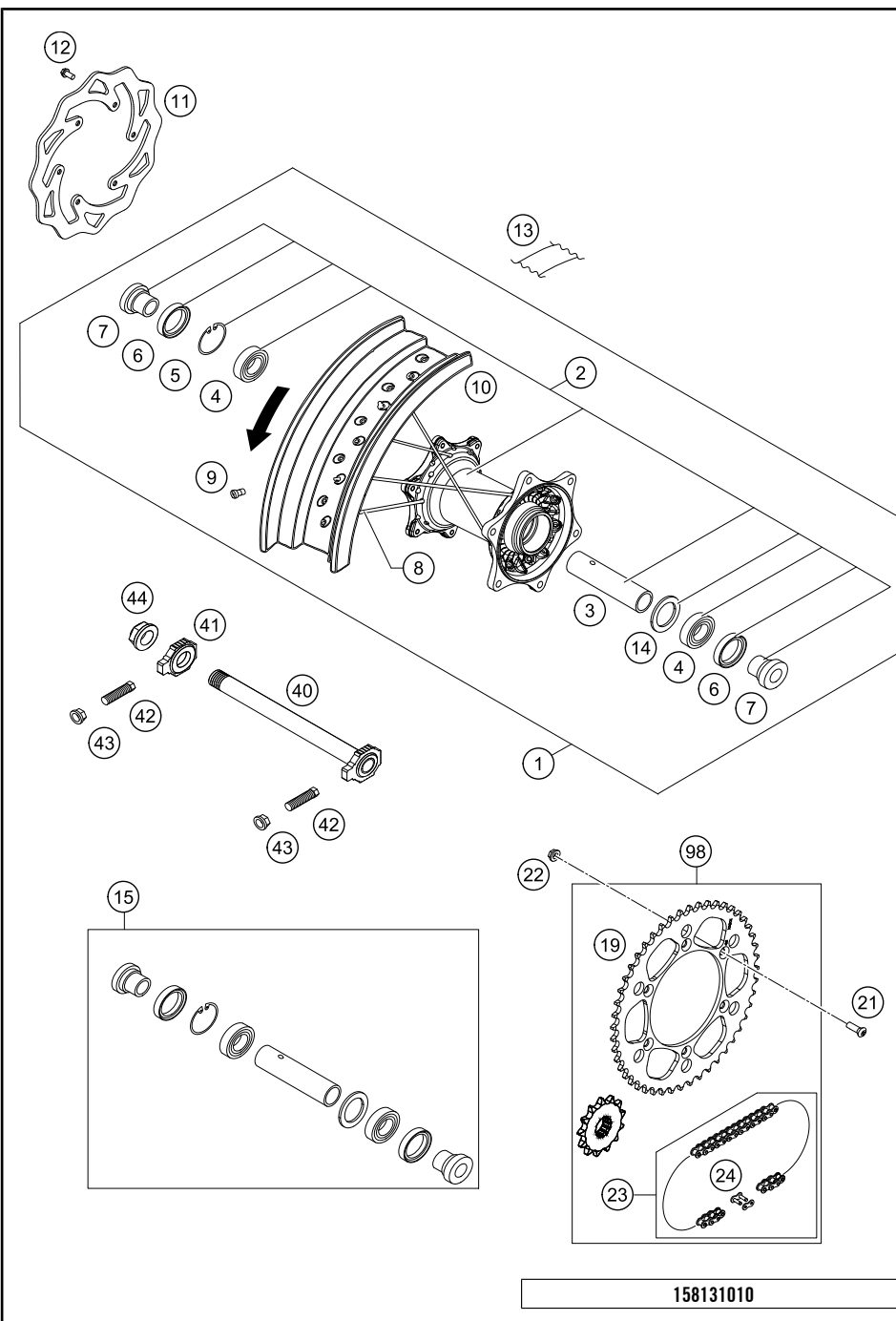
POS	PARTNUMBER	PARTNAME	PIECE
1	7730920104430	FRONT WHEEL 3,5X16,5 SMR 08	1
2	78009010144	FRONT WHEEL HUB CPL.	1
3	54809011000	BEA.SPACERTUBE 35X2 L=79,4 03	1
4	0625069068	GR.BALL BEAR.6906 DDU2CG23S6NM	2
6	0760354771	SHAFT SEAL RING 35X47X7 TC	2
8	78009012000	SPACER BUSHING F. FR. WHEEL 08	1
9	78909012000	SPACER BUSHING F. FR. WHEEL 14	1
10	77309271164	SPOKE M4,5X164-16,5" 08	36
11	50309072100	SPOKE NIPPLE M4,5X0,75 8X21	36
12	7730927000030	FRONT RIM 3,5X16,5"	1
13	58309073000	RIM BAND 17"	1
19	58409161000	BRAKE DISC SUPPORT SM 03	1
20	58609060000	WAVE BRAKE DISC FRONT 2005	1
21	59009062026	SPECIAL SCREW M6X26 SW=8 10.9	6
30	78909081000	WHEEL SPIN.FR. D=26MM 14	1
32	54809082000	SPINDLE SCREW M24X1,5 WS=27 03	1
33	54809081050	PLUG BUSHING WS=27 03	1
40	54809081070	AUXILIARY SCREW FRONT 06	1
99	78009015010	FRONT WHEEL REP.KIT 450 SMR 14	x

147890910

C158130910

* NEW PART

X ON DEMAND

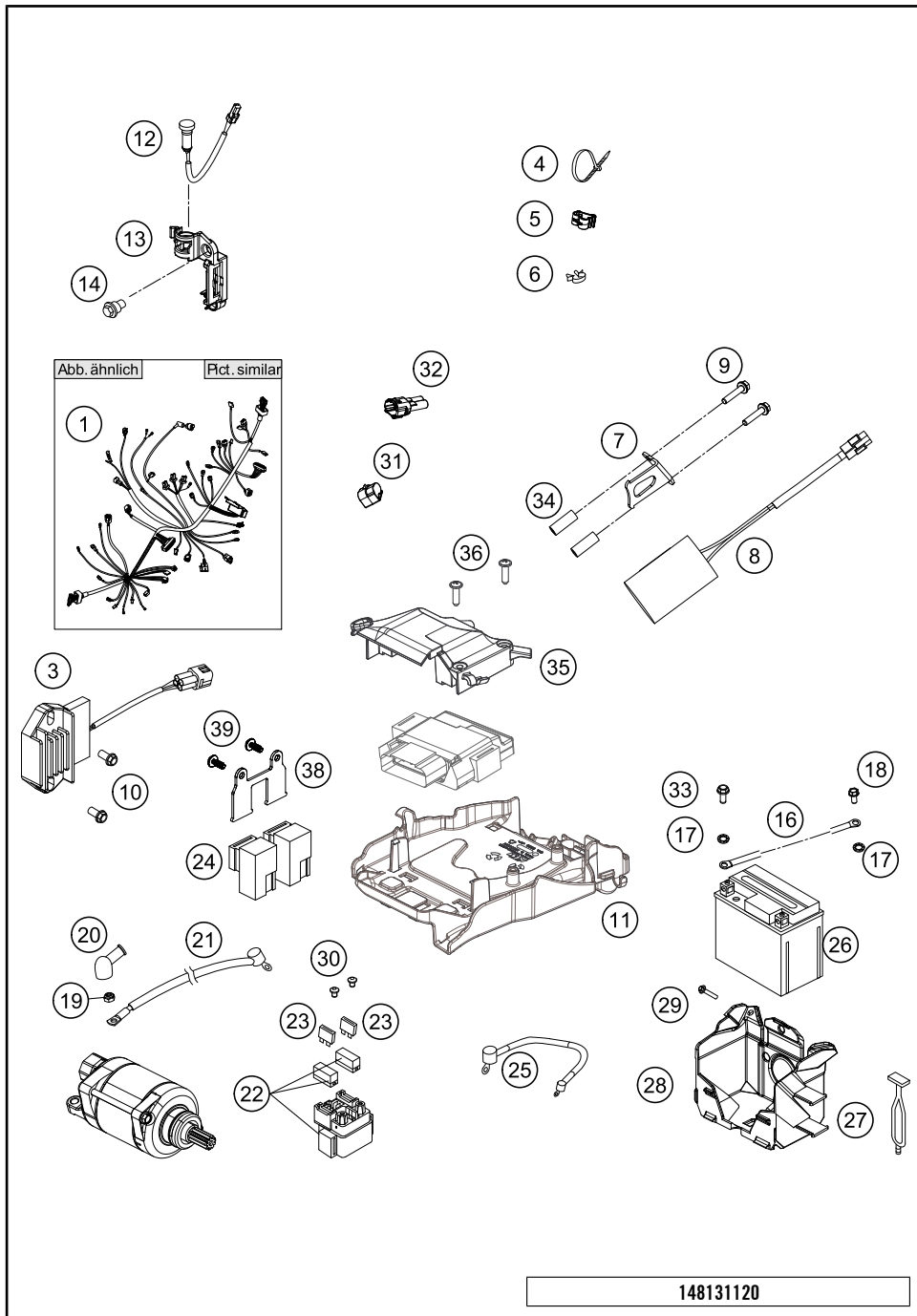


POS	PARTNUMBER	PARTNAME	PIECE
1	7891000104430	REAR WHEEL CPL. 5X17" SMR 13	1
2	78010010244	REAR WHEEL HUB CPL. 2013	1
3	77710011000	BEARING DISTANCE TUBE 121,5MM	1
4	0625060058	GR.BALL BEAR.6005 DDU2CG23S6NM	2
5	0472047175	CIRCLIP DIN0472-47X1,75	1
6	0760324771	SHAFT SEAL RING 32X47X7 BSL	2
7	77710016000	DISTANCE BUSHING REAR WHEEL	2
8	58309071100	SPOKE M5X174-13,5G 17"	36
9	58309072100	SPOKE NIPPLE M5-TA 8X21MM	36
10	5941007000030	REAR RIM 5,0X17"	1
11	77310060000	BRAKE DISC REAR 220	1
12	59009062013	SPECIAL SCREW M6X13 WS=8 10.9	6
13	58309073000	RIM BAND 17"	1
14	77710015000	DISTANCE RING	1
15	77710015010	REAR WHEEL REP. KIT	1
19	58310151040	REAR SPROCKET 40-T	x
19	58310051042	REAR SPROCKET 42-T	x
19	58310151045	REAR SPROCKET 45-T	x
19	58310151048	REAR SPROCKET 48-T	1
19	58310151049	REAR SPROCKET 49-T	x
19	58310151050	REAR SPROCKET 50-T	x
19	58310151051	REAR SPROCKET 51-T	x
19	58310151052	REAR SPROCKET 52-T	x
21	0019080266S	COUNTER-SUNK SCREW ISA45 M8X26	6
22	06923080003	HEXAGON NUT DIN EN1661 M8 SW13	6
23	78010167118	CHAIN DID 118 ROLLS	1
24	78010166000	CONNECTING LINK F. 78010167118	1
33	78110090000	RIM LOCK 2,15"	1
34	77110090050	NUT FOR WHEEL HOLDER	1
38	55003135000	PLUG FOR RIM	x
39	50210086000	COVERING CAP SFL16	1
40	77710085044	WHEEL SPINDLE CPL. '13	1
41	77710084000	CHAIN TENSIONER R/S	1
42	50304040100	SCREW M10X1,25X50 WS=10	2
43	58414030000	HH COLLAR NUT M10X1,25 WS=13	2
44	61010086000	COLLAR NUT M25X1,5 WS=32 05	1
98	00050002038	DRIVETRAIN KIT SMR 14T/48T	x

158131010

C158131012

* NEW PART X ON DEMAND



POS	PARTNUMBER	PARTNAME	PIECE
1	77711075200	WIRING HARNESS SX-F 2014	1
3	77211034000	VOLTAGE REGULATOR 09	1
4	44011076140	CABLE TIE 140/2,5MM BLACK	x
4	44011076200	CABLE TIE 200/3,6MM BLACK	x
4	44011076305	CABLE TIE 300/4,8MM BLACK	x
5	83013026000	CABLE GUIDE	2
6	57013072100	WIRING HOLDER 16MM	x
7	77711036000	RETAINING PLATE CONDENSATOR	1
8	77711035000	CONDENSATOR	1
9	0025050306	HH COLLAR SCREW M5X30 TX30	2
10	0025060206	HH COLLAR SCREW M6X20 TX30	2
11	77711094000	ELECTRIC BOX	1
12	81214083000	INDICATOR LIGHT LED YELLOW FI	1
13	77214098000	HOLDER INDICATOR LIGHT SX	1
14	59001092050	SPECIAL SCREW M6X12,5 WS=8	1
16	58411097100	GROUND CABLE D=6MM L=140MM '97	1
17	58411098100	CONTACT WASHER M6 VSV-K6	3
18	0009050106	EJOT SPIRAL SCREW SF M5X10-K	1
19	0985060003	SELF LOCK. NUT DIN0985-M 6	1
20	77240099000	PROTECTION CAP F. STARTER ENG.	1
21	81311059000	STARTER CABLE	1
22	76211058000	STARTER RELAY 07	1
23	58011109110	FUSE 10 A 2000	2
24	61111057000	RELAY CM1A-R-12V-H80 07	1
25	81311059050	WIRING HARNESS BATTERY	1
26	77311053000	BATTERY 12V 3AH YTX4L-BS	1
27	50303018000	RUBBER L=145MM	1
28	77211055000	BATTERY BOX	1
29	0017060205	SCREW FOR PLASTIC K60X20 SW6	3
30	0902060083	AH OVAL SCREW ISO 7380 M 6X8	2
31	77211010050	DUMMY PLUG MAPSELECTSWITCH	1
32	69011040000	END PLUG CAN-BUS 08	1
33	0025050126	HH COLLAR SCREW M5X12 TX30	2
34	77711036050	BUSHING CONDENSATOR BRACKET	2
35	77711094050	ECU SPLASH PROTECT.	1
36	0081645121	EJOT DELTA PT SCREW 45X12-Z	2
38	81311037000	BRACKET POWERRELAIS	1
39	0081050121	SCREW FOR PLASTIC K50X12 T20	2

148131120

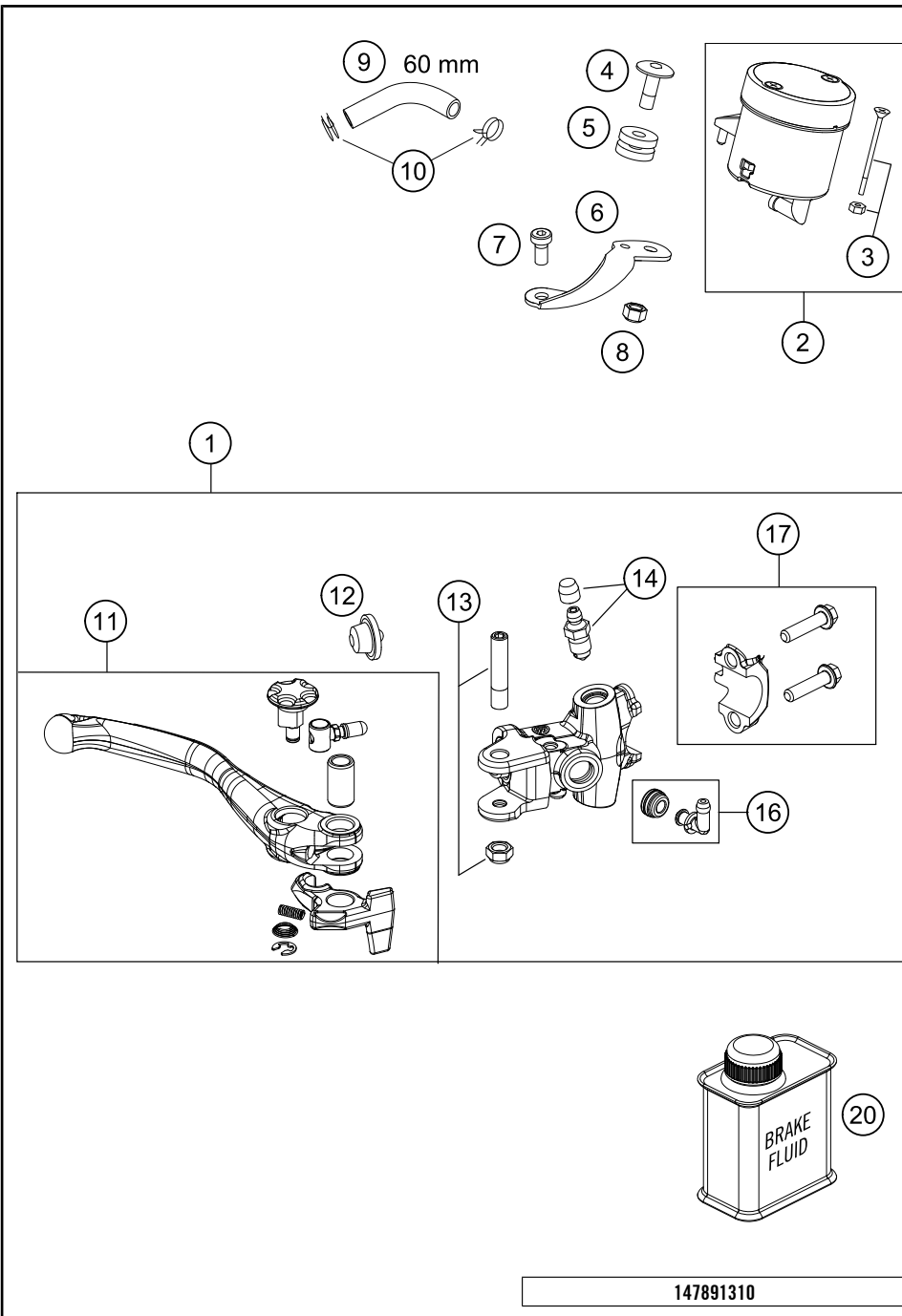
C148131123

* NEW PART

X ON DEMAND

HAND BREAK CYLINDER

FS 450 EU 2015

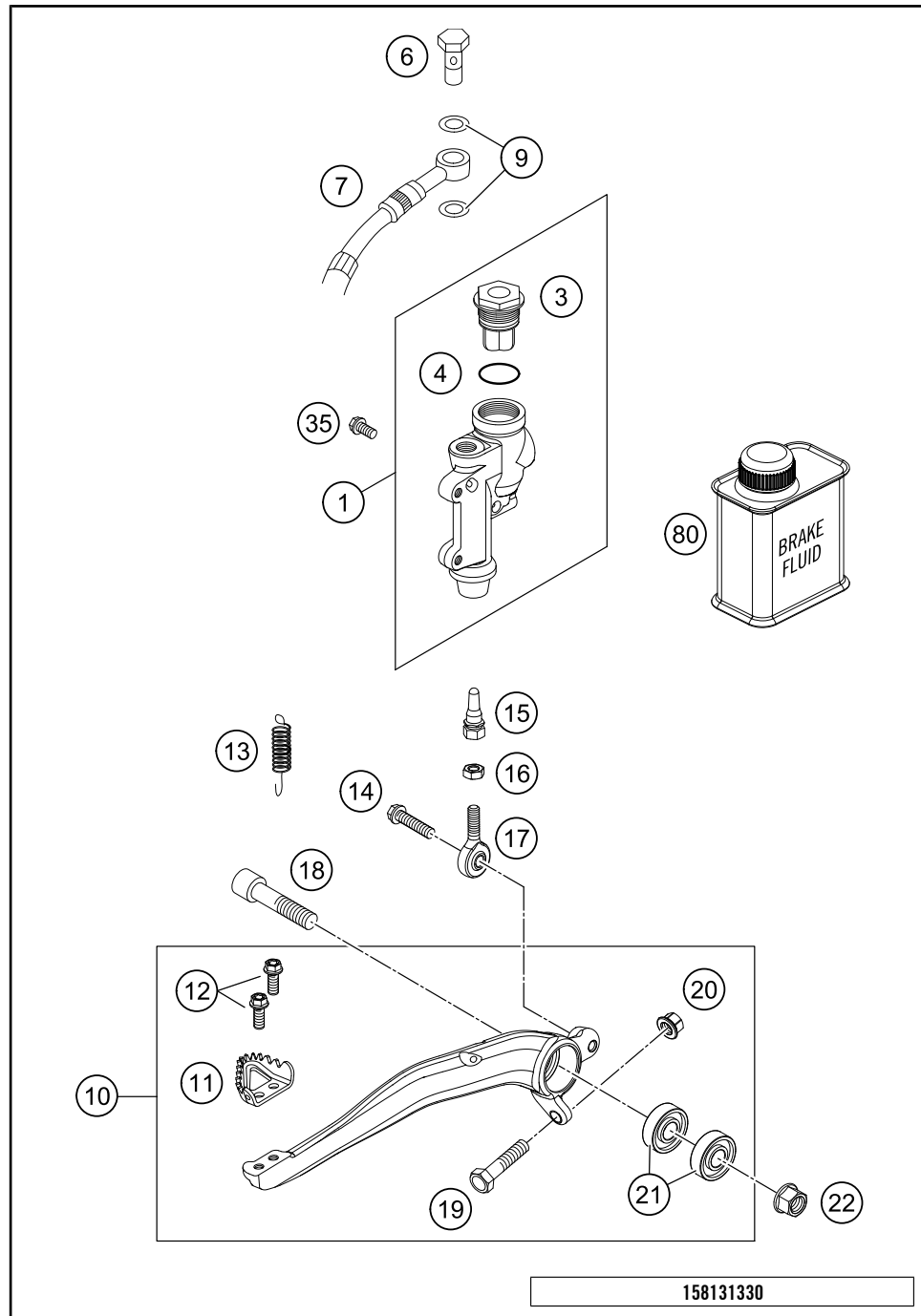


POS	PARTNUMBER	PARTNAME	PIECE
1	78913001000	HAND BRAKE CYLINDER	1
2	61013009202	BRAKE FLUID RESERVOIR CPL.	1
3	61013009203	SCREW + NUT F. RESERVOIR	2
4	61013013050	SCREW RET.PANEL-RESERVOIR	1
5	61013013000	RUBBER BUSH 05	1
6	61013009001	RET.PANEL FLUID RES. FRONT 05	1
7	61013021000	SCREW RET.PANEL-BRAKE CYLINDER	1
8	61013009004	NUT FOR RESERVOIR	1
9	58007016101	HOSE FOR RESERVOIR 6X1,5	x
10	58007017000	YDNAC CLAMP 10101 (10,4MM)	2
11	62513002144	HAND BRAKE LEVER CPL. 07	1
12	61013008000	RUBBER CUP 05	1
13	61013006000	LEVER SCREW CPL. 05	1
14	60013020000	BLEEDER SCREW WITH CAP	1
16	54513155000	ANGLE PIECE	1
17	5031300500030	CLAMP CPL. BLACK	1
20	00062030000	BRAKE FLUID DOT5.1 0,25L	1

147891310

C158131310

* NEW PART X ON DEMAND



POS	PARTNUMBER	PARTNAME	PIECE
1	77013060044	REAR BRAKE CYLINDER CPL.SX 09	1
3	54813062100	REAR BRAKE CYL. COVER CPL. 04	1
4	54813063000	FOOT-BRAKE CYL. GASKET SX 03	1
6	54813020100	HOLLOW SCREW BLACK M10X1X19	1
7	77213070000	BRAKE HOSE REAR XXXMM 11	1
9	0603100141	COPPER GASKET DIN7603-10X14X1	2
10	77213050044	FOOT BRAKE LEVER CPL.	1
11	54813051000	STEP PLATE FOR BRAKE LEVER	1
12	0025050126	HH COLLAR SCREW M5X12 TX30	2
13	54603062000	RETURN SPRING FOR BRAKE LEVER	1
14	0025060206	HH COLLAR SCREW M6X20 TX30	1
15	54813056000	PUSH ROD L=28MM 03	1
16	0934060003	HEXAGON NUT DIN0934-M 6	1
17	54813055000	SWIVEL HEAD KA6 03	1
18	0032100406S	AH-COLLAR SCREW M10X40 ISA45	1
19	59001037000	SPECIAL SCREW M8X26 WS=10	1
20	46030045000	COLLAR NUT M8 WS=10	1
21	0625060002	BALL BEARING SKF 6000-2RS1	2
22	54630044000	COLLAR NUT M10 WS=13	1
35	0025060126	HH COLLAR SCREW M6X12 TX30	2
80	00062030000	BRAKE FLUID DOT5.1 0,25L	1

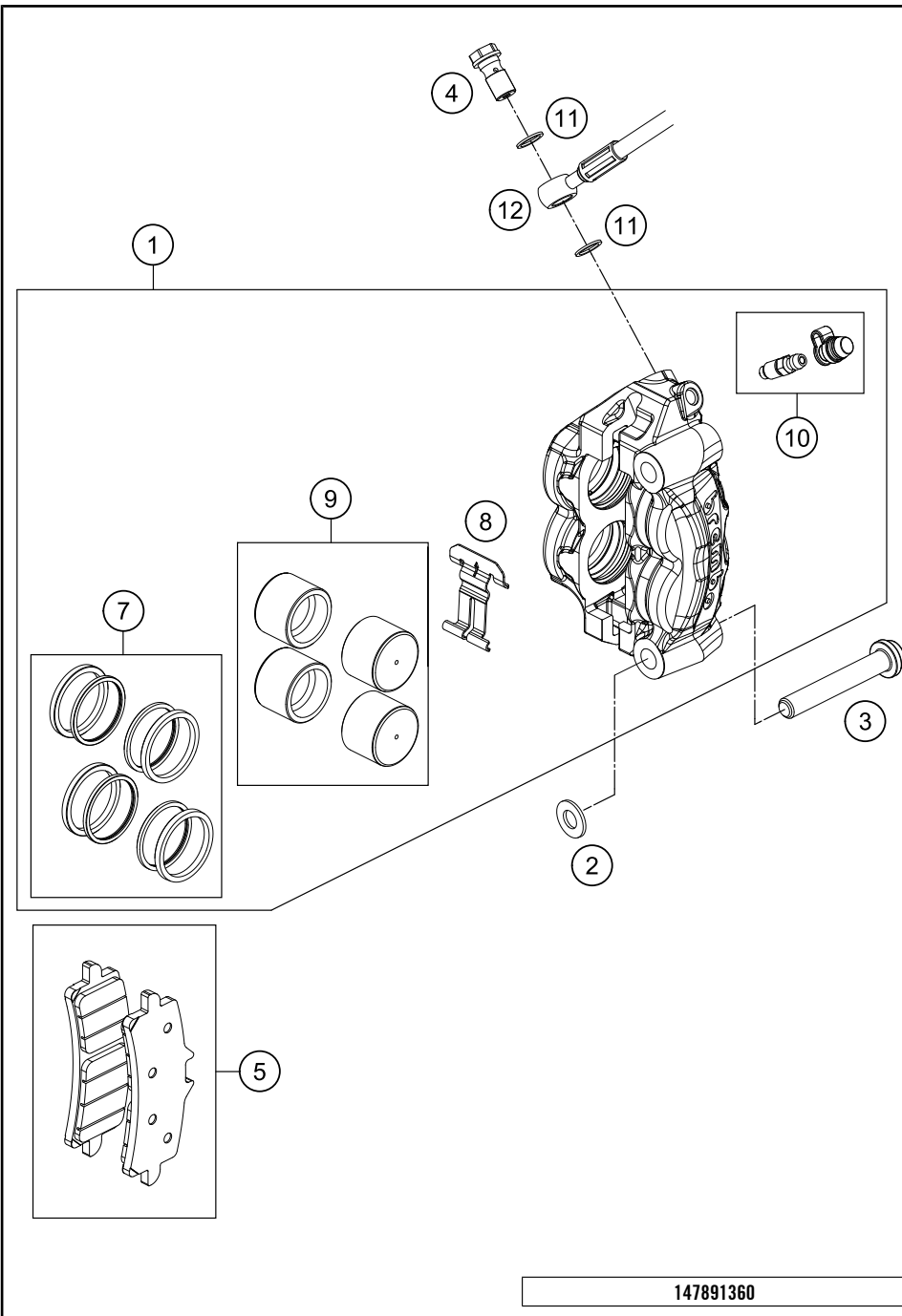
158131330

C158131331

* NEW PART X ON DEMAND

BREAK CALIPER FRONT

FS 450 EU 2015



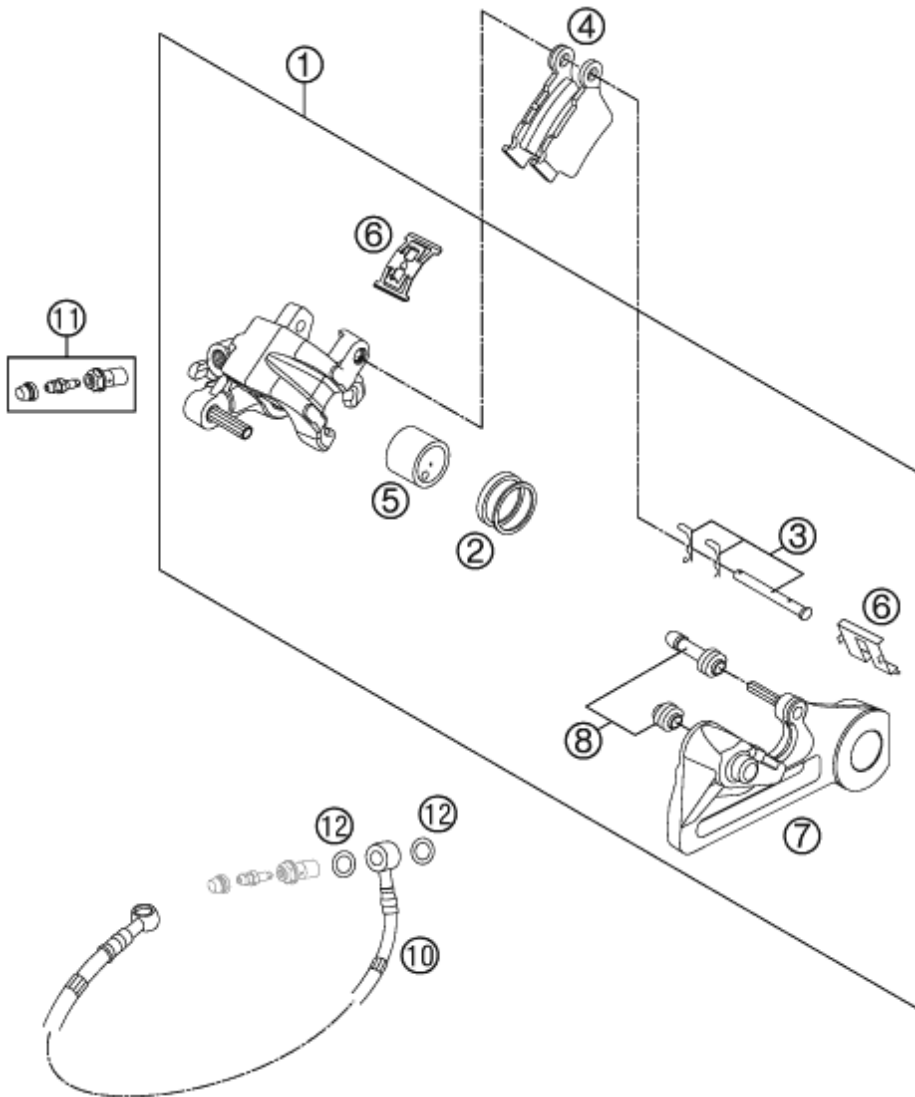
POS	PARTNUMBER	PARTNAME	PIECE
1	6131301500158	BRAKE CALIPER FRONT - W/O PADS	1
2	58413049000	WASHER 10,2X20X2,5 MM 04	2
3	0035100559S	AH-COLLAR SCREW M10X1,25X55SS	2
4	54813020100	HOLLOW SCREW BLACK M10X1X19	1
5	76013030000	BRAKE PADS TT2910HH	1
7	61313021000	SEAL RINGS CPL.	1
8	69013018000	SPRING PLATE	1
9	61313019000	BRAKE PISTON CPL.	1
10	61013020100	BLEEDER SCREW WITH CAP	1
11	0603100141	COPPER GASKET DIN7603-10X14X1	2
12	78913012000	BRAKE PIPE FRONT	1

147891360

C158131360

* NEW PART

X ON DEMAND



POS	PARTNUMBER	PARTNAME	PIECE
1	77713080001	BRAKE CAL. REAR - WITHOUT PADS	1
2	50313081200	REPAIR KIT SEALING RINGS 26MM	1
3	54813082000	BOLT SET FOR BRAKE CALIPER 03	1
4	54813090300	BRAKE PAD SET REAR TOYO	1
5	77713083000	BRAKE PISTON 26MM 2013	1
6	54813018000	RETAINING SPRING SET 2003	1
7	77713075000	BRAKE CALIPER BRACKET REAR	1
8	54613218000	CUP SET SHORT	1
10	77213070000	BRAKE HOSE REAR XXXMM 11	1
11	62513020000	BLEEDER SCREW CPL. 05	1
12	0603100141	COPPER GASKET DIN7603-10X14X1	2

117711390

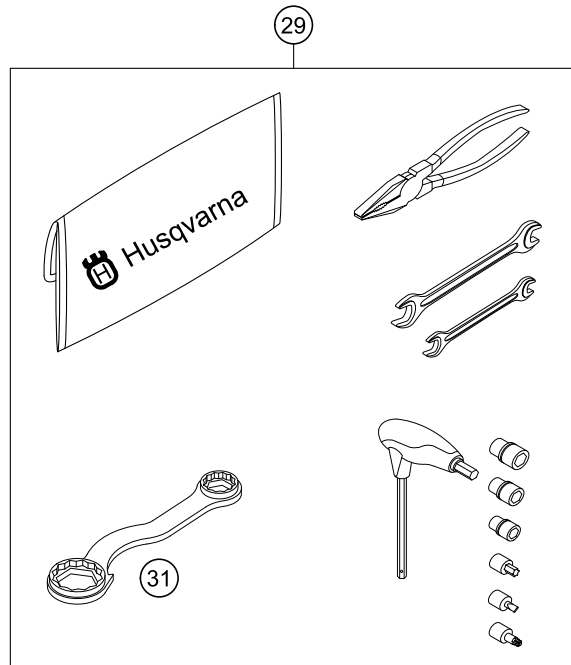
C157771390

* NEW PART

X ON DEMAND

0
OHNE ABBILDUNG
WITHOUT ILLUSTRATION

1
TECHNISCHE DOKUMENTATION
TECHNICAL DOCUMENTATION
DOCUMENTACION TECNICA
DOCUMENTATION TECHNIQUE
NOTE TECNICHE



POS	PARTNUMBER	PARTNAME	PIECE
0	HQV0110	HUSQVARNA BALLPOINT PEN	1
0	47103040033	FOOTREST CPL. 14	1
0	0025050126	HH COLLAR SCREW M5X12 TX30	2
0	58411098100	CONTACT WASHER M6 VSV-K6	2
0	78029072000	SPARK PLUG SOCKET	1
0	58511053000	BATTERY 12V 4AH YTX5L-BS	1
0	81212016100	WASH CAP SET	1
0	52000115	STICKER FRONT FORK-SET WP"4CS"	1
0	80312002000	DOCUMENTS BAG HUSQVARNA	1
0	00063004202	PRINT LABEL 60X51 MM	2
0	7800207920028	HANDGUARD CLOSED WHITE	1
0	00062030019	AIR FILTER OIL 100ML	1
0	80302602144	BAR PAD 2015	1
0	HQV0004DE/GB	HUSKY POWER&STYLE FOLDER 2014	x
0	HQV0109	HUSQVARNA NOTE-PAD	1
0	78141013190	FUEL FILTER	3
0	77703020000	PLUG-IN STAND	1
0	77239974100	MAP SWITCH SET	1
1	3402028EN	OWN.-MAN. 450 FS	1
29	80329899000	TOOL KIT	1
31	50329080100	WRENCH SW=17/21/27/32 B&F	1

148132000

C158132006

* NEW PART

X ON DEMAND



- ⑤ Ø 5 mm
- ⑥ Ø 6 mm
- ⑧ Ø 8 mm
- ⑩ Ø 10 mm
- ⑫ Ø 12 mm
- ⑭ Ø 14-14,5 mm
- ⑯ Ø 16 mm
- ⑳ Ø 20 mm
- ㉑ Ø 21 mm
- ㉒ Ø 22 mm
- ㉓ Ø 23 mm
- ㉔ Ø 24,5 mm
- ㉘ Ø 28,5 mm
- ㉚ Ø 32 mm
- ㉜ Ø 52 mm



POS	PARTNUMBER	PARTNAME	PIECE
5	44906890	WASHER 5X15X2	X
6	40540400	SHIM 6X12X0,1	X
6	40540401	SHIM 6X14X0,1	X
6	40540402	SHIM 6X16X0,1	X
6	40540403	SHIM 6X18X0,1	X
6	40540404	SHIM 6X12X0,15	X
6	40540405	SHIM 6X14X0,15	X
6	40540406	SHIM 6X16X0,15	X
6	40540407	SHIM 6X18X0,15	X
6	40540408	SHIM 6X12X0,2	X
6	40540409	SHIM 6X14X0,2	X
6	40540410	SHIM 6X16X0,2	X
6	40540411	SHIM 6X18X0,2	X
6	48600095	* SHIM 6X20X0,20	X
6	40540412	SHIM 6X12X0,25	X
6	40540413	SHIM 6X14X0,25	X
6	40540414	SHIM 6X16X0,25	X
6	40540415	SHIM 6X18X0,25	X
6	40540417	SHIM 6X8,5X0,10	X
6	40540418	SHIM 6X9X0,10	X
6	40540419	SHIM 6X9,5X0,10	X
6	40540423	SHIM 6X9,5X0,15	X
6	40540425	SHIM 6X8,5X0,20	X
6	40540426	SHIM 6X9X0,20	X
6	40540427	SHIM 6X9,5X0,20	X
6	40540447	SHIM 6X10X0,3	X
6	40540449	SHIM 6X9X0,3	X
6	40540450	SHIM 6X9,5X0,3	X
6	40540494	SHIM 6X18X0,4	X
6	40540774	SHIM 6X18X0,1 DELTA	X
6	40541383	SHIM 6X11X0,1	X
6	40541391	SHIM 6X11X0,3	X
6	40541402	SHIM 6X11X0,2	X
6	40541403	SHIM 6X10X0,20	X
6	40541404	SHIM 6X10X0,1	X
6	40541405	SHIM 6X10X0,15	X
6	40541406	SHIM 6X11X0,15	X
6	40541408	SHIM 6X8,0X0,30	X

080000190

C130009090

* NEW PART

X ON DEMAND



- ⑤ Ø 5 mm
- ⑥ Ø 6 mm
- ⑧ Ø 8 mm
- ⑩ Ø 10 mm
- ⑫ Ø 12 mm
- ⑭ Ø 14-14,5 mm
- ⑯ Ø 16 mm
- ⑳ Ø 20 mm
- ㉑ Ø 21 mm
- ㉒ Ø 22 mm
- ㉓ Ø 23 mm
- ㉔ Ø 24,5 mm
- ㉘ Ø 28,5 mm
- ㉚ Ø 32 mm
- ㉜ Ø 52 mm



POS	PARTNUMBER	PARTNAME	PIECE
6	40541414	SHIM 6X8,0X0,10	X
6	40541416	SHIM 6X8X0,3	X
6	40541417	SHIM 6X11X0,25	X
6	48600102	* SHIM 6X24X0,25	X
6	48600063	SHIM 6X24X0,1	X
6	48600064	SHIM 6X22X0,1	X
6	48600065	SHIM 6X20X0,1	X
6	48600069	SHIM 6X20X0,15	X
6	48600100	SHIM 6X24X0,15	X
6	48600116	SHIM 6X24X0,1 DELTA	X
6	48600139	SHIM 6X22X0,1 DELTA	X
6	48600217	BACKPLATE 6X10X0,25	X
6	48600325	SHIM 6X13X0,1	X
6	48600327	SHIM 6X15X0,1	X
6	48600329	SHIM 6X17X0,1	X
6	48600331	SHIM 6X19X0,1	X
6	48600096	* SHIM 6X20X0,25	X
6	48600097	SHIM 6X22X0,15	X
6	48600099	* SHIM 6X22X0,25	X
6	40540448	BACKPLATE 6X8,5X0,30	X
6	48600479	SHIM 6X20X0,1 T/3H	X
6	48600332	SHIM 6X21X0,1	X
6	48600333	SHIM 6X23X0,1	X
6	40541393	* SHIM 6X12X0,3	X
6	48600330	SHIM 6X17X0,15	X
6	48600988	SHIM 6X28X0,10	X
6	48600989	SHIM 6X26X0,10	X
6	48601091	SHIM 6X28X0,15	X
6	48601093	SHIM 6X26X0,15	X
8	40540477	SHIM 8X18X0,4	X
8	43570120	SHIM 8X18X0,10	X
8	44916098	WASHER 8,4X16X0,8	X
8	44916130	WASHER 8,2X15X1	X
8	44916180	WASHER 8,2X11X1	X
8	48600214	SHIM 8X16X0,1	X
8	48600346	SHIM 8X11X0,2	X
8	48600215	CHECK VALVE 8X20X0,1	X
8	48600061	CHECK VALVE 8X24X0,4	X

080000190

C130009090

* NEW PART

X ON DEMAND



- ⑤ Ø 5 mm
- ⑥ Ø 6 mm
- ⑧ Ø 8 mm
- ⑩ Ø 10 mm
- ⑫ Ø 12 mm
- ⑭ Ø 14-14,5 mm
- ⑯ Ø 16 mm
- ⑳ Ø 20 mm
- ㉑ Ø 21 mm
- ㉒ Ø 22 mm
- ㉓ Ø 23 mm
- ㉔ Ø 24,5 mm
- ㉘ Ø 28,5 mm
- ㉚ Ø 32 mm
- ㉜ Ø 52 mm



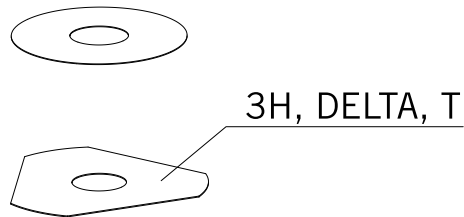
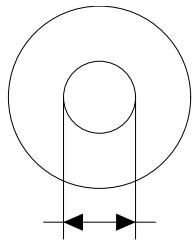
POS	PARTNUMBER	PARTNAME	PIECE
8	4860062	CHECK VALVE 8X24X0,1	X
8	48600216	CHECK VALVE 8X22X0,1	X
8	48600480	SHIM 8X10X0,20	X
8	48600555	SHIM 8X16X0,20	X
8	48600213	SHIM 8X14X0,10	X
8	48600357	CHECK VALVE 8X11X0,1	X
8	48600351	CHECK VALVE 8X12X0,1	X
8	48600607	SHUTTLE VALVE 8X20X0,4	X
8	48601095	SHIM 8X17X0,10	X
8	48600218	BACKPLATE 8X11X0,40	X
10	36120284	SHIM 10X16X0,10	X
10	36120298	SHIM 10X16X0,2	X
10	36120312	SHIM 10X16X0,30	X
10	36120314	SHIM 10X18X0,30	X
10	36120325	SHIM 10X19X0,15	X
10	36120327	SHIM 10X23X0,15	X
10	36120328	SHIM 10X25X0,15	X
10	36120329	SHIM 10X27X0,15	X
10	36120330	SHIM 10X29X0,15	X
10	36120331	SHIM 10X31X0,15	X
10	36120332	SHIM 10X33X0,15	X
10	36120334	SHIM 10X21X0,20	X
10	36120335	SHIM 10X23X0,20	X
10	36120336	SHIM 10X25X0,20	X
10	36120337	SHIM 10X27X0,20	X
10	36120338	SHIM 10X29X0,20	X
10	36120339	SHIM 10X31X0,20	X
10	36120340	SHIM 10X33X0,20	X
10	36120342	SHIM 10X21X0,25	X
10	36120343	SHIM 10X23X0,25	X
10	36120344	SHIM 10X25X0,25	X
10	36120345	SHIM 10X27X0,25	X
10	36120349	SHIM 10X19X0,30	X
10	36120350	SHIM 10X21X0,30	X
10	40140275	WASHER 10X35X0,15	X
10	36120346	* SHIM 10X29X0,25	X
10	50180010	* SHIM 16X24X0,10	X
10	36120604	SHIM D10XD22X2,5	X

080000190

C130009090

* NEW PART

X ON DEMAND



- ⑤ Ø 5 mm
- ⑥ Ø 6 mm
- ⑧ Ø 8 mm
- ⑩ Ø 10 mm
- ⑫ Ø 12 mm
- ⑭ Ø 14-14,5 mm
- ⑯ Ø 16 mm
- ⑳ Ø 20 mm
- ㉑ Ø 21 mm
- ㉒ Ø 22 mm
- ㉓ Ø 23 mm
- ㉔ Ø 24,5 mm
- ㉘ Ø 28,5 mm
- ㉚ Ø 32 mm
- ㉜ Ø 52 mm

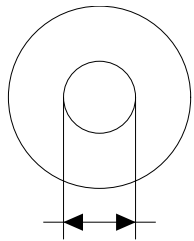
POS	PARTNUMBER	PARTNAME	PIECE
12	46810490	SHIM 12X24X0,20	X
12	46810491	SHIM 12X26X0,20	X
12	46810492	SHIM 12X28X0,20	X
12	46810493	SHIM 12X30X0,20	X
12	46810494	SHIM 12X32X0,20	X
12	46810495	SHIM 12X34X0,20	X
12	46810496	SHIM 12X36X0,20	X
12	46810497	SHIM 12X38X0,20	X
12	46810498	SHIM 12X40X0,20	X
12	46810499	SHIM 12X24X0,25	X
12	46810500	SHIM 12X26X0,25	X
12	46810501	SHIM 12X28X0,25	X
12	46810502	SHIM 12X30X0,25	X
12	46810504	SHIM 12X34X0,25	X
12	46810505	SHIM 12X36X0,25	X
12	46810507	SHIM 12X40X0,25	X
12	46810508	SHIM 12X24X0,30	X
12	46810509	SHIM 12X26X0,30	X
12	46810510	SHIM 12X28X0,30	X
12	46810512	SHIM 12X32X0,30	X
12	46810513	SHIM 12X34X0,30	X
12	46810518	SHIM 12X26X0,15	X
12	46810519	SHIM 12X28X0,15	X
12	46810520	SHIM 12X30X0,15	X
12	46810521	SHIM 12X32X0,15	X
12	46810522	SHIM 12X34X0,15	X
12	46810523	SHIM 12X36X0,15	X
12	46810524	SHIM 12X38X0,15	X
12	46810525	SHIM 12X40X0,15	X
12	46810604	SHIM 12X20X0,10	X
12	46810606	SHIM 12X22X0,10	X
12	46810607	SHIM 12X23X0,10	X
12	46810608	SHIM 12X24X0,10	X
12	46810610	SHIM 12X27X0,15	X
12	46810611	SHIM 12X18X0,15	X
12	46810612	SHIM 12X19X0,15	X
12	46810615	SHIM 12X22X0,15	X
12	46810636	BACKPLATE 12X16X0,30	X

080000190

C130009090

* NEW PART

X ON DEMAND



3H, DELTA, T

- ⑤ Ø 5 mm
- ⑥ Ø 6 mm
- ⑧ Ø 8 mm
- ⑩ Ø 10 mm
- ⑫ Ø 12 mm
- ⑭ Ø 14-14,5 mm
- ⑯ Ø 16 mm
- ⑳ Ø 20 mm
- ㉑ Ø 21 mm
- ㉒ Ø 22 mm
- ㉓ Ø 23 mm
- ㉔ Ø 24,5 mm
- ㉘ Ø 28,5 mm
- ㉚ Ø 32 mm
- ㉜ Ø 52 mm

POS	PARTNUMBER	PARTNAME	PIECE
12	46810637	BACKPLATE 12X17X0,30	X
12	46810638	BACKPLATE 12X18X0,30	X
12	46810639	SHIM 12X19X0,30	X
12	46810641	BACKPLATE 12X21X0,30	X
12	46811582	BACKPLATE 12X30X0,10	X
12	46810631	SHIM 12X20X0,25	X
12	46810633	SHIM 12X22X0,25	X
12	46811580	SHIM 12X32X0,10	X
12	46810503	SHIM 12X32X0,25	X
12	46810517	* SHIM 12X24X0,15	X
12	46810640	SHIM 12X20X0,30	X
12	46811258	RING 12X24X2,5	X
14	46811046	SHIM 14,5X35,4X1,25	X
16	50180023	* SHIM 16X23X0,20	X
16	50180030	SHIM	X
16	50180006	BACKPLATE 16X20X0,10	X
16	50180007	SHIM 16X21X0,10	X
16	50180028	SHIM 16X21X0,25	X
16	50180210	WASHER 16X21X1	X
16	50180008	SHIM 16X22X0,10	X
16	50180022	SHIM 16X22X0,20	X
16	50180037	SHIM 16X23X0,30	X
16	50180038	SHIM 16X24X0,30	X
16	50180032	SHIM 15X25X0,25	X
16	50180039	SHIM 16X25X0,30	X
16	50180012	SHIM 16X26X0,10	X
16	50180019	SHIM 16X26X0,15	X
16	50180026	SHIM 16X26X0,20	X
16	50180040	SHIM 16X26X0,30	X
16	50180041	SHIM 16X28X0,10	X
16	50180045	SHIM 16X28X0,15	X
16	50180054	SHIM 16X28X0,20	X
16	50180063	SHIM 16X28X0,25	X
16	50180072	SHIM 16X28X0,30	X
16	50180046	SHIM 16X30X0,15	X
16	50180055	SHIM 16X30X0,20	X
16	50180064	SHIM 16X30X0,25	X
16	50180073	SHIM 16X30X0,30	X

080000190

C130009090

* NEW PART

X ON DEMAND



- ⑤ Ø 5 mm
- ⑥ Ø 6 mm
- ⑧ Ø 8 mm
- ⑩ Ø 10 mm
- ⑫ Ø 12 mm
- ⑭ Ø 14-14,5 mm
- ⑯ Ø 16 mm
- ⑳ Ø 20 mm
- ㉑ Ø 21 mm
- ㉒ Ø 22 mm
- ㉓ Ø 23 mm
- ㉔ Ø 24,5 mm
- ㉘ Ø 28,5 mm
- ㉚ Ø 32 mm
- ㉜ Ø 52 mm



POS	PARTNUMBER	PARTNAME	PIECE
16	50180047	SHIM 16X32X0,15	X
16	50180056	SHIM 16X32X0,20	X
16	50180065	SHIM 16X32X0,25	X
16	50180074	SHIM 16X32X0,30	X
16	50180044	SHIM 16X34X0,10	X
16	50180048	SHIM 16X34X0,15	X
16	50180057	SHIM 16X34X0,20	X
16	50180066	SHIM 16X34X0,25	X
16	50180075	SHIM 16X34X0,30	X
16	50180049	SHIM 16X36X0,15	X
16	50180058	SHIM 16X36X0,20	X
16	50180067	SHIM 16X36X0,25	X
16	50180076	SHIM 16X36X0,30	X
16	50180050	SHIM 16X38X0,15	X
16	50180059	SHIM 16X38X0,20	X
16	50180068	SHIM 16X38X0,25	X
16	50180077	SHIM 16X38X0,30	X
16	50180051	SHIM 16X40X0,15	X
16	50180060	SHIM 16X40X0,20	X
16	50180069	SHIM 16X40X0,25	X
16	50180078	SHIM 16X40X0,30	X
16	50180052	SHIM 16X42X0,15	X
16	50180061	SHIM 16X42X0,20	X
16	50180070	SHIM 16X42X0,25	X
16	50180079	SHIM 16X42X0,30	X
16	50180053	SHIM 16X44X0,15	X
16	50180062	SHIM 16X44X0,20	X
16	50180071	SHIM 16X44X0,25	X
16	50180080	SHIM 16X44X0,30	X
16	50180177	WASHER 16X8,2X0,6	X
16	50180033	SHIM 16X26X0,25	X
16	50180034	BACKPLATE 16X20X0,30	X
16	50180035	BACKPLATE 16X21X0,30	X
16	50180036	BACKPLATE 16X22X0,30	X
16	50180043	SHIM	X
16	50180024	* SHIM 16X24X0,20	X
16	50180027	* SHIM 16X20X0,25	X
16	50180031	SHIM	X

080000190

C130009090

* NEW PART

X ON DEMAND



- ⑤ Ø 5 mm
- ⑥ Ø 6 mm
- ⑧ Ø 8 mm
- ⑩ Ø 10 mm
- ⑫ Ø 12 mm
- ⑭ Ø 14-14,5 mm
- ⑯ Ø 16 mm
- ⑳ Ø 20 mm
- ㉑ Ø 21 mm
- ㉒ Ø 22 mm
- ㉓ Ø 23 mm
- ㉔ Ø 24,5 mm
- ㉘ Ø 28,5 mm
- ㉚ Ø 32 mm
- ㉜ Ø 52 mm



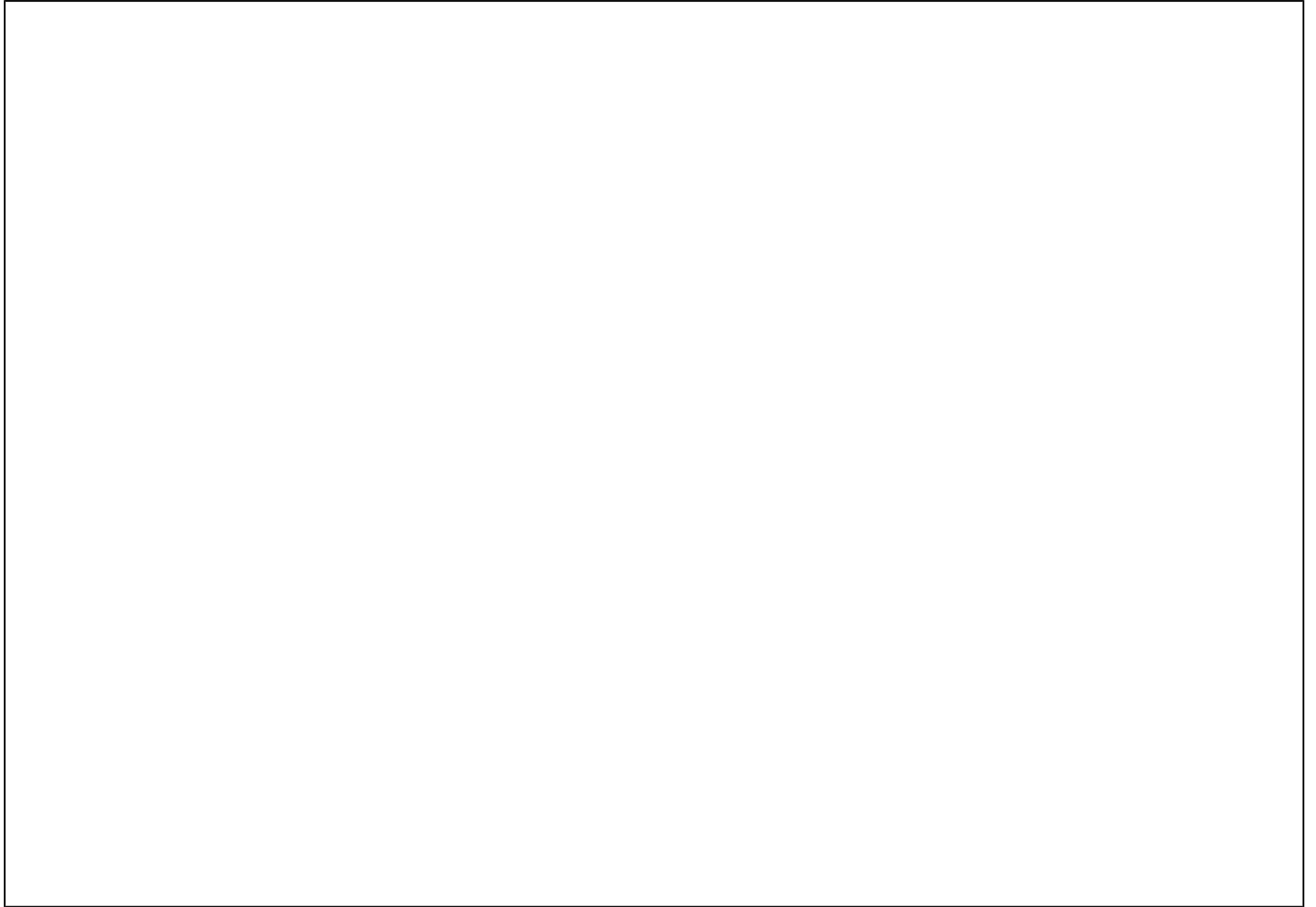
POS	PARTNUMBER	PARTNAME	PIECE
20	48600212	PRESSURE-RING 20X16,25X0,20	X
20	50180666	SHIM 20X24X0,30	X
20	50180654	SHIM 20X36X0,20	X
20	50180655	SHIM 20X38X0,20	X
20	50180656	SHIM 20X40X0,20	X
20	50180665	SHIM 20X40X0,25	X
20	50180662	SHIM 20X34X0,25	X
20	50180657	SHIM 20X24X0,25	X
20	50180653	SHIM 20X34X0,20	X
20	50180634	RING 20X22,9X1	X
20	50180650	SHIM 20,2X28X0,20	X
20	50180663	SHIM 20X36X0,25	X
20	50180664	SHIM 20X38X0,25	X
20	50180659	SHIM 20,2X28X0,25	X
21	50180209	WASHER 21X36X0,25	X
22	50180330	* PRESS. RING 22X18X0,30	X
23	50180635	SHUTTLE VALVE 23X38X0,25	X
23	50180578	SHIM D23XD16X2	X
24	40541061	WASHER 24,5X34X2	X
28	36120469	SHIM 28,5X14X2	X
28	36120471	SHIM 28,5X14X5	X
32	48600460	WASHER 32X42X2,5	X
32	50600065	SHIM 32X45X2	X
32	46811637	PRESSURE RING 36X32,25	X
52	50600002	SHIM 52X59X2,2	X

080000190

C130009090

* NEW PART

X ON DEMAND



A large, empty rectangular box with a thin black border, occupying the majority of the page. It is intended for the user to write their notes.



3CFF230300EN



Husqvarna Motorcycles GmbH
Stallhofnerstraße 3 | 5230 Mattighofen | Austria
www.husqvarna-motorcycles.com



THE PIONEERS OF MOTOCROSS