

SPAREPARTSCATALOG

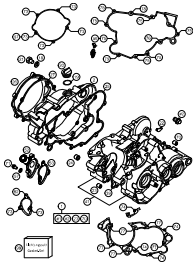
ENGINE

ART.-NR.: 3CM080405PEN

TC85 2016

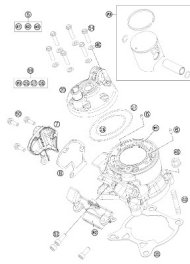
CONTENT

ENGINE CASE



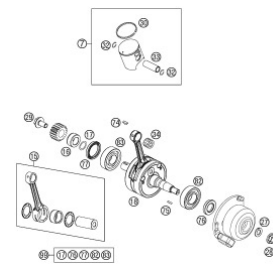
3

CYLINDER



4

CRANK-SHAFT, PISTON

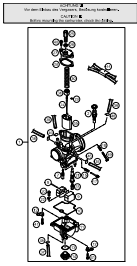


5

FEED VALVE H

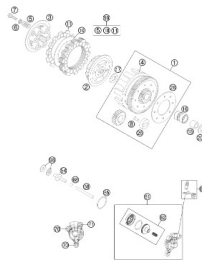


CARBURETOR



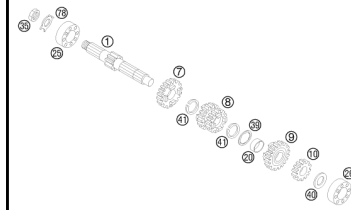
7

CLUTCH



9

TRANSMISSION - MAIN-SHAFT

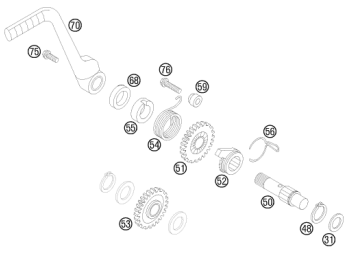


10

TRANSMISSION

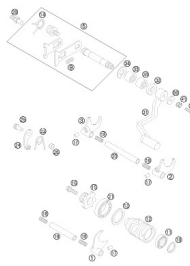


KICKSTARTER



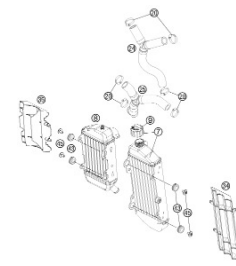
12

SHIFTING MECHANISM



13

COOLING SYSTEM

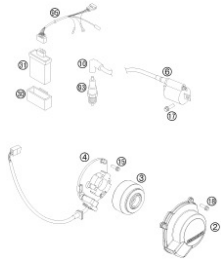


14

EXHAUST CON



IGNITION SYSTEM



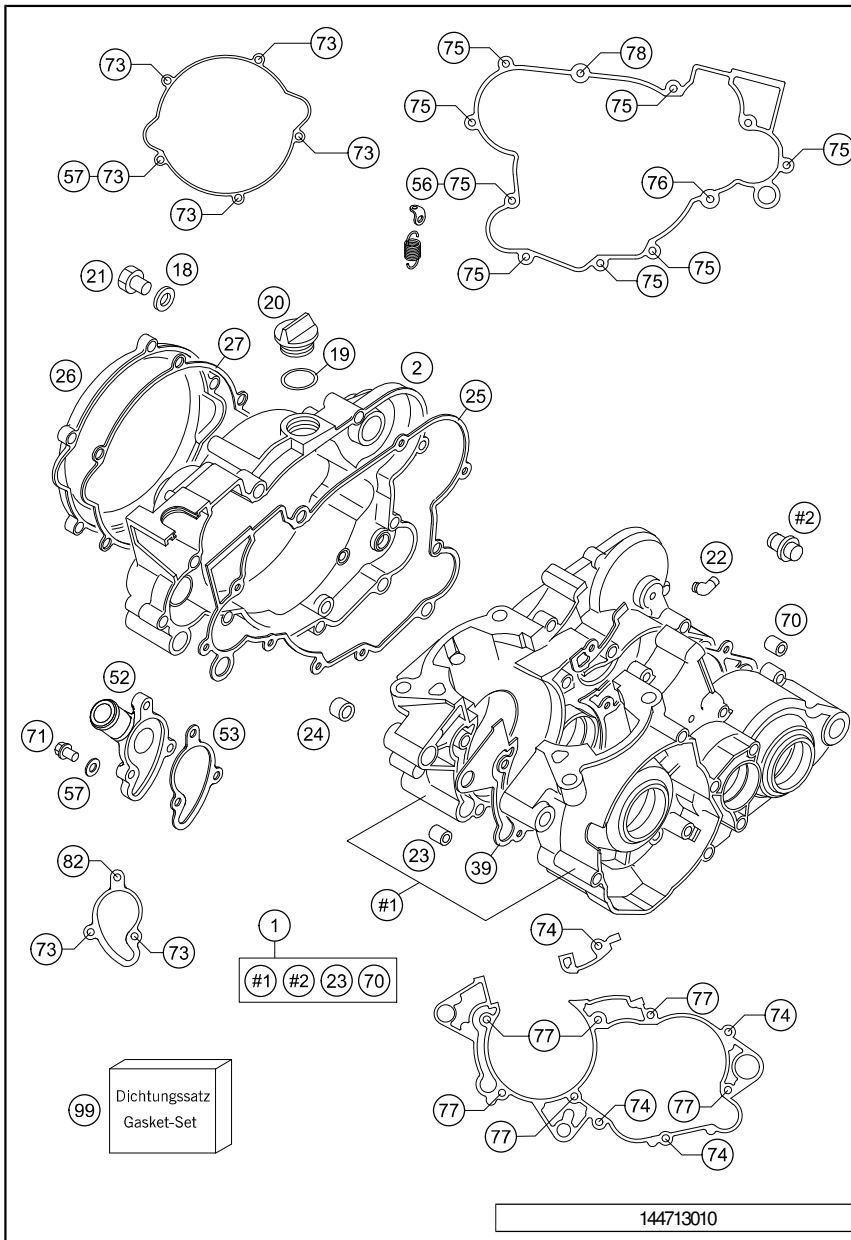
17



All information contained is without obligation. HUSQVARNA MOTORCYCLES G... right to modify any equipment, technical specifications, prices, colors, shapes, m... work, constructions, equipment and the like so as to adapt them to local conditio... above items, all without previous announcement and without giving reasons. KTM... certain models without previous notice. HUSQVARNA MOTORCYCLES shall not b... deviations of availability and/or ability to deliver, illustrations, descriptions, print... illustrated models partly contain extra equipment, which is not applied to standa...

© by HUSQVARNA MOTORCYCLES GmbH, Mattighofen AUSTRIA; All rights res... extracts, with written allowance of HUSQVARNA MOTORCYCLES GmbH, Mattigh...

ENGINE CASE

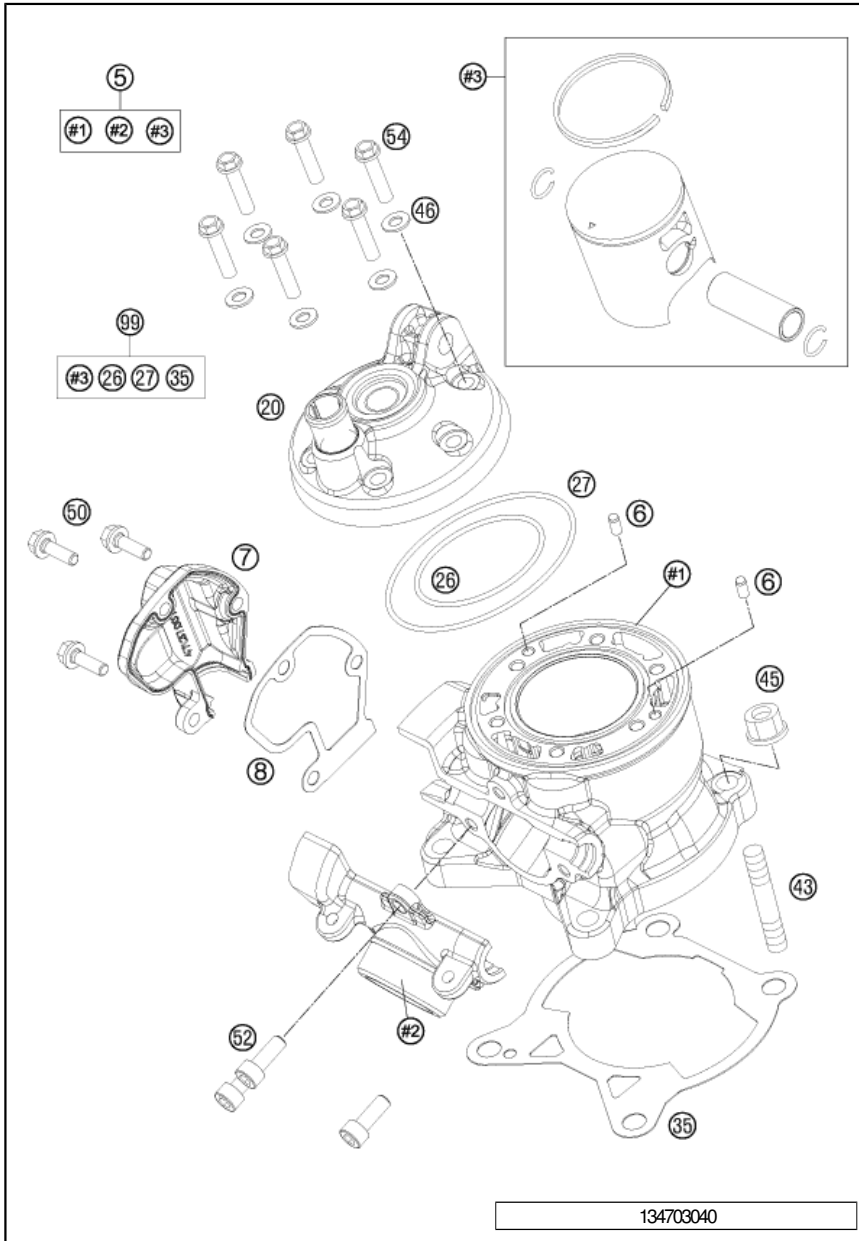


POS	PARTNUMBER	PARTNAME
1	47030000144	ENGINE CASE CPL. 85 SX2008
2	47030001100	CLUTCH COVER 85 SX06
18	0603010420	COPPER GASKET 10,2X14X2 MM01
19	0770160030	O RING 16,00X3,00 NBR 70
20	58030120000	OIL FILLER CAP M24X3 WITH O R
21	46030021100	OIL DRAIN PLUG M10 WS= 13
22	45130022000	ANGLE PIECE 500CM L C 2001
23	47030023100	DOWEL 13X13
24	45130023000	DOWEL 7X9X10
25	47030025000	INNER CLUTCH COVER GASKET
26	47030626000KA	OUTER CLUTCH COVER
27	47030027100	GASKET FOR OUTER CLUTCH COVER
39	47030039000	GASKET F. ENGINE CASE 85 SX 03
52	47035052000	WATER PUMP COVER 85 SX2003
53	47035053000	GASKET FOR WATER PUMP COVER 0
56	47003071000	SPRING HOLDER
57	0603061001	OJ SEAL RING DIN7603-6X10X1
70	47030023000	DOWEL 14,5X19
71	0025060106	HI COLLAR SCREW M6X10 TX30
73	0015060203	HI COLLAR SCREW M6X20 WS=8
74	0025060256	HI COLLAR SCREW M6X25 TX30
75	0015060303	HI COLLAR SCREW M6X30 SW=8
76	0025060356	HI COLLAR SCREW M6X35 TX30
77	0025060406	HI COLLAR SCREW M6X40 TX30
78	0025060456	HI COLLAR SCREW M6X45 TX30
82	0015060653	HI COLLAR SCREW M6X65 WS=8
99	47030099100	GASKET SET CPL. 85/105SX04

C144713011

* N

CYLINDER



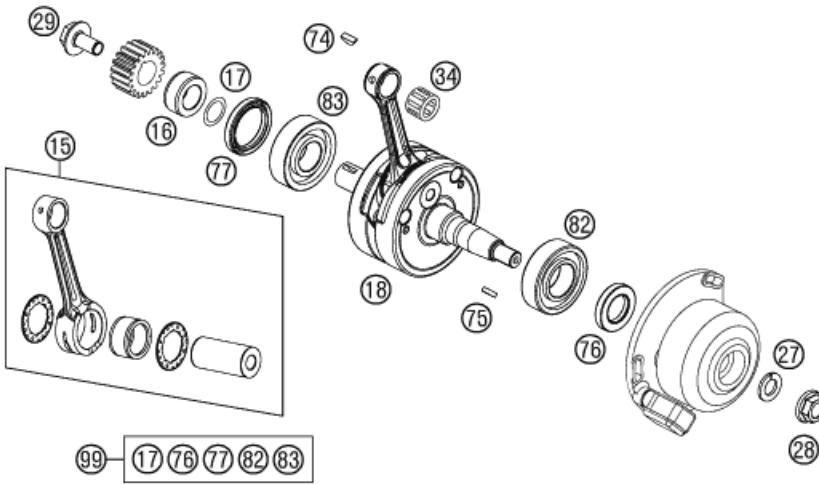
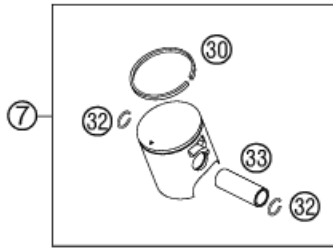
PCS	PARTNUMBER	PARTNAME
5	47130038000	CYLINDER+ PISTON 85 SX
6	0402040980	NEEDLE ROLLER DIN 6402 NFB 4X9,8
7	47137007000	CONTROL COVER
8	47137008000	GASKET CONTROL COVER
20	47130006000	CYLINDER HEAD 85 SX
26	0770540020	O RING 54X2 VITON
27	0770800021	O RING 80,00X2,00 VITON
35	47030035020	CYLINDER BASE GASKET 0,20MM
35	47030035030	CYLINDER BASE GASKET 0,30MM
35	47030035000	CYLINDER BASE GASKET 0,50MM
43	0835080240	STUD DIN 0835-M8X24
45	46030045000	COLLAR NUT M8 VS=10
46	0603061001	CJ-SEAL RING DIN 7603-6X10X1
50	0015050123	HH COLLAR SCREW M5X12 VS=8
52	0012060164	AH SCREW DIN 6912 M6X16 SL
54	0025060256	HH COLLAR SCREW M6X25 TX30
99	00050000204	PISTON KIT GR I 85 SX 06-15
99	00050000205	PISTON KIT GR II 85 SX 03-15

134703040

C144713040

* N

CRANKSHAFT, PISTON



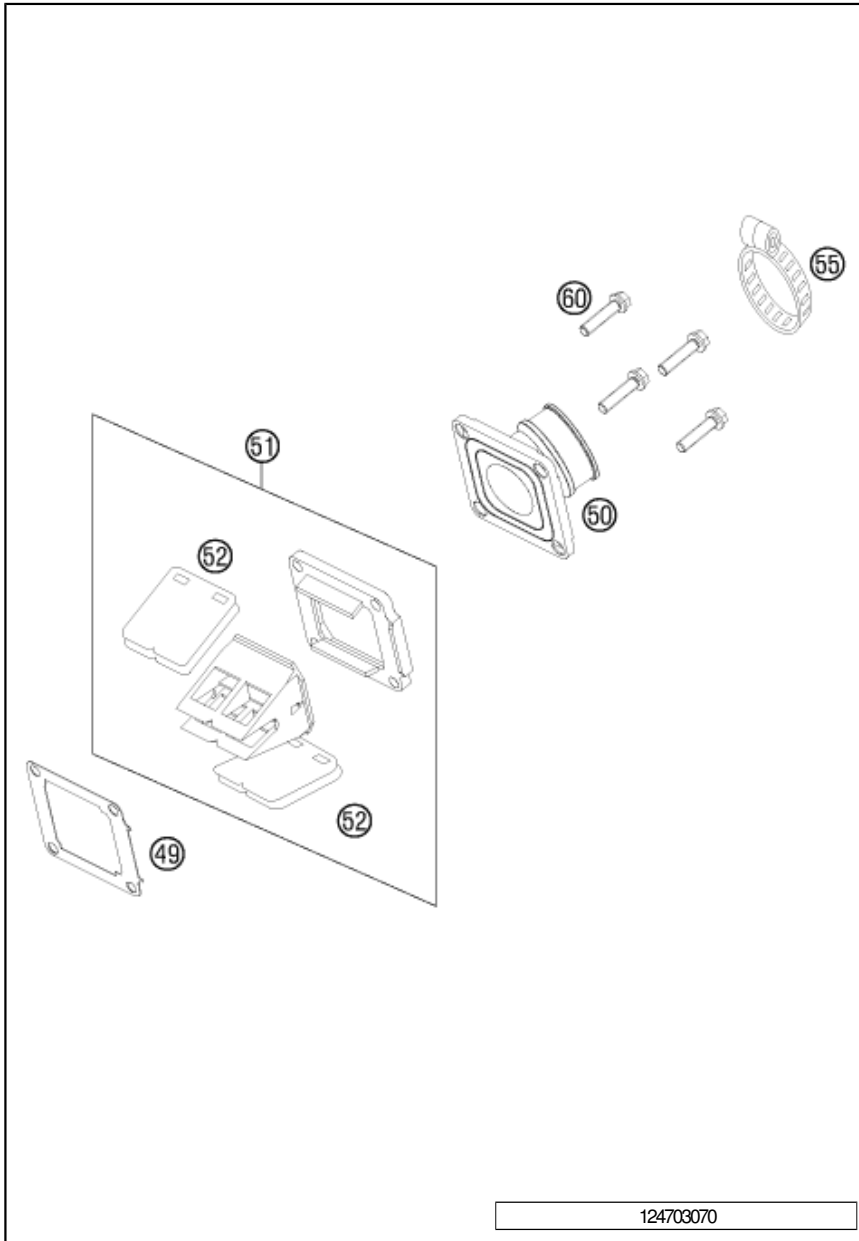
PCS	PARTNUMBER	PARTNAME
7	47030007100 I	PISTON CPL 47MM SIZE 1 2005
7	47030007100 II	PISTON CPL 47MM SIZE 2 2005
15	47030015200	CONNECT. ROD REPAIR SET 85 SX
16	47030016000	SPACER SLEEVE 85 SX 2003
17	0770020180	O RING 18,77X1,78 NBR 70
18	47030018200	CRANKSHAFT 85 SX
27	50230029012	LOCKING RING VSK 12
28	49030021000	COLLAR NUT M12X1 R/S
29	47032019000	HI SCREW COLLAR M10X1,25X2
30	47030030000	PISTON RING 85 SX 2003
32	47030074000	WIFE LOCK RING 85 SX 2003
33	47030033000	PISTON PIN 85 SX 2003
34	47030034000	NEEDLE BEARING IKBK 14X18X17 03
74	0888040050	WOODRUFF KEY DIN 6888 4X5X13
75	0888030050	WOODRUFF KEY DIN 6888 3X5X13
76	47030076100	SEAL SHAFT RING 20X35X6 BTSL
77	0760304261	OIL SEAL
82	49030023000	CYL ROLL BEARING N205
83	47030083000	BALL BEARING 22X52X15
99	00050002307	CRANKSHAFT REP. KIT 85/105 SX

134703060

C144713060

* N

REED VALVE HOUSING



PCS	PARTNUMBER	PARTNAME
49	47030049000	GASKET FOR INTAKE FLANGE 85 SX
50	47030050100	INTAKE FLANGE 85 SX 2009
51	47030051144	FEED VALVE ASSY CPL 85 SX 2009
52	47030052144	FEED VALVE CPL 85 SX 2009
55	51230061000	CLAMP 40/12 GEM
60	0025060256	HI COLLAR SCREW M6X25 TX30

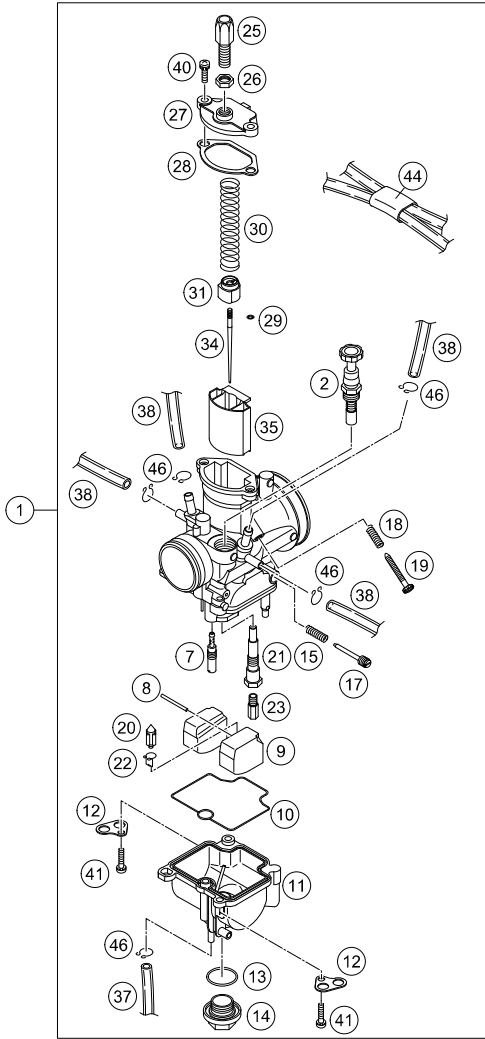
124703070

C134703070

* N

CARBURETOR

ACHTUNG !!!
Vor dem Einbau des Vergasers, Bedüsung kontrollieren.
CAUTION !!!
Before mounting the carburetor, check the jetting.



124703110

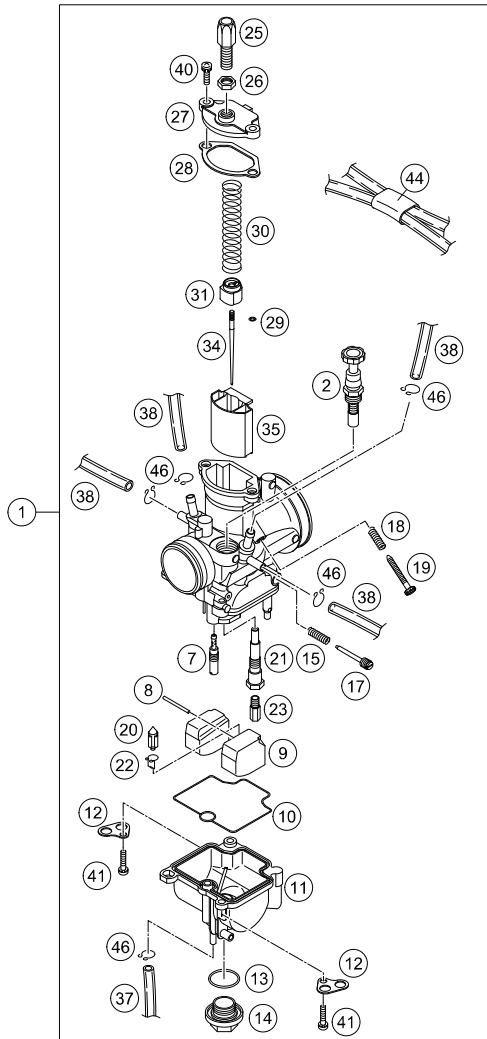
POS	PARTNUMBER	PARTNAME
1	47031001000	CARBURETOR KEIHN FWK28 2003
2	54631245000	STARTER PISTON CPL
7	54531607038	IDLE JET 38 KEIHN
7	54531607040	IDLE JET 40 KEIHN
7	54531607042	IDLE JET 42 KEIHN
7	54531607045	IDLE JET 45 KEIHN
7	54531607048	IDLE JET 48 KEIHN
7	54531607050	IDLE JET 50 KEIHN
8	57331008000	ARM PIN FLOAT
9	47031009000	FLOAT CPL FWK28 03
10	47031010000	FLOAT CHAMBER GASKET
11	47031011000	FLOAT CHAMBER FWK28 03
12	54531612100	RETAINING PLATE FOR BLEEDER
13	0770180230	O RING 18,00X2,30 NBR 70
14	54531699000	PLUG M18X1
15	54531615000	SPRING FOR ADJUSTMENT SCREW
17	54531617000	ADJUSTMENT SCREW
18	54631118000	SPRING
19	54631219100	ADJUSTMENT SCREW M5
20	47031020000	FLOAT NEEDLE CPL
21	47031021000	NEEDLE JET
22	54531621000	CLAMP
23	54531623115	MAIN JET 115 KEIHN
23	54531623118	MAIN JET 118 KEIHN
23	54531623120	MAIN JET 120 KEIHN
23	54531623122	MAIN JET 122 KEIHN
23	54531623125	MAIN JET 125 KEIHN
23	54531623128	MAIN JET 128 KEIHN
23	54531623130	MAIN JET 130 KEIHN
23	54531623132	MAIN JET 132 KEIHN
23	54531623135	MAIN JET 135 KEIHN
25	54531625000	ADJUSTMENT SCREW M6X0,75
26	52031126000	HEXAGON NUT M6X0,75 DIN0439
27	47031027000	CARBURETOR COVER FWK28 03
28	47031028000	CARBURETOR COVER GASKET FWK28 03
29	54531629000	CLIP FOR JET NEEDLE
30	47031030000	THROTTLER VALVE SPRING
31	47031031000	SPRING CAP

C124703110

* N

CARBURETOR

ACHTUNG !!!
 Vor dem Einbau des Vergasers, Bedüsung kontrollieren.
CAUTION !!!
 Before mounting the carburetor, check the jetting.



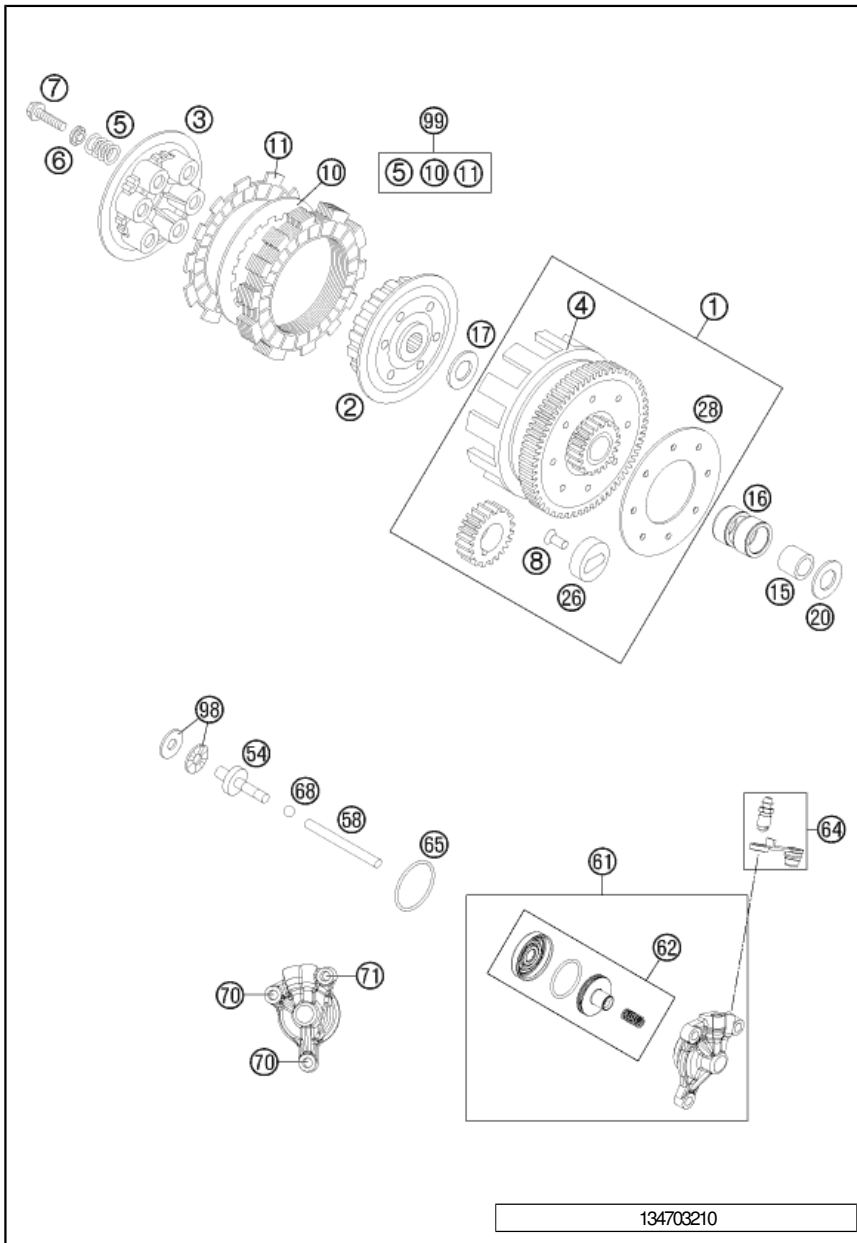
124703110

C124703110

POS	PARTNUMBER	PARTNAME
34	47031034000	JET NEEDLE N5HGK8HN
34	47031034100	JET NEEDLE N5HFKEHN
34	47031034200	JET NEEDLE N5HK8HN
35	47031035000	THROTTLE VALVE 3,5
37	52031137001	PVC HOSE 3X6MM
38	31007007101	PVC HOSE 4X6MM
40	0016040163	HI COLLAR SCREW M4X16 WS=6
41	0985040163	FLAT HEAD SCREW DIN 985-M4X16
44	47031084000	PLASTIC CLIP
46	54531696000	CLAMP 6 MM

* N

CLUTCH



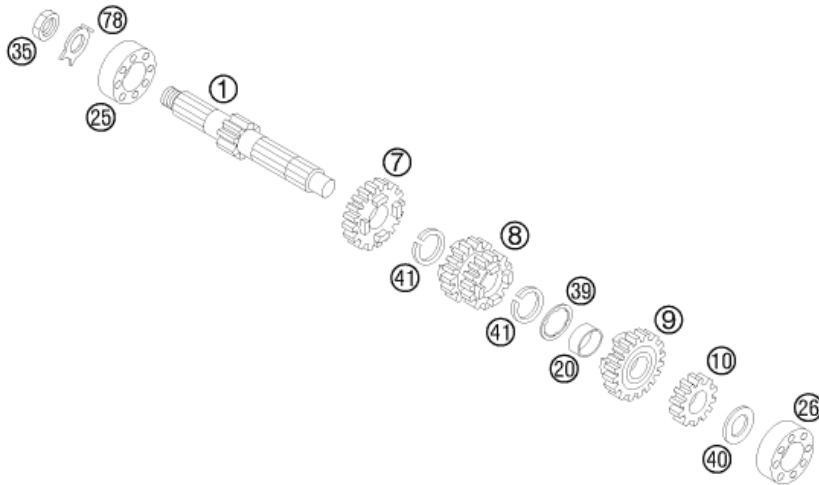
PCS	PARTNUMBER	PARTNAME
1	47032001244	OUTER CLUTCH HUB CPL 85 SX 13
2	47032002000	INNER CLUTCH HUB 85 SX 2003
3	47032003000	PRESSURE CAP 85 SX 2003
4	47032001100	OUT. CLUTCH HUB LOOSE 85 SX 07
5	47032005000	CLUTCH SPRING 85 SX 2003
6	47032006000	SPRING RETAIN 5,1X10,2X15X2,5
7	0015050203	1/2 HH COLLAR SCREW M5X20 WS=
8	47032008000	RIVET DIN 661 5X14
10	47032010000	STEEL DISC 85 SX 03
11	47032011000	LINING DISC 85 SX 2003
15	47032015000	BUSHING 20X25X20,5
16	0405252910	NEEDLE BEARING K 25X29X10
17	47032017000	SUPPORT WASHER 18,5X35X1,5 03
20	47032020000	STOP DISC 20X32X2
26	47032026000	DAMPING ELEMENT 85 SX 2003
28	47032028000	RETAINING PLATE 85 SX 2003
54	47032054000	PRESSURE PLATE 85 SX 2003
58	47032058000	PUSH ROD 85 SX 2003
61	47132061044	OUTPUT CYLINDER CPL
62	47132066000	PISTON CPL
64	47132064000	BLEEDER SCREW WITH CAP
65	0770031018	O RING 31,47X1,78
68	47032068000	BALL D=6MM 85 SX 2003
70	0015060163	HH COLLAR SCREW M6X16 WS=8
71	0015060303	HH COLLAR SCREW M6X30 WS=8
98	47032098000	AXIAL NEEDLE BEARING 85 SX 03
99	47032010010	CLUTCH KIT 105/85 SX 03-14

134703210

C144713210

* N

TRANSMISSION I - MAIN SHAFT



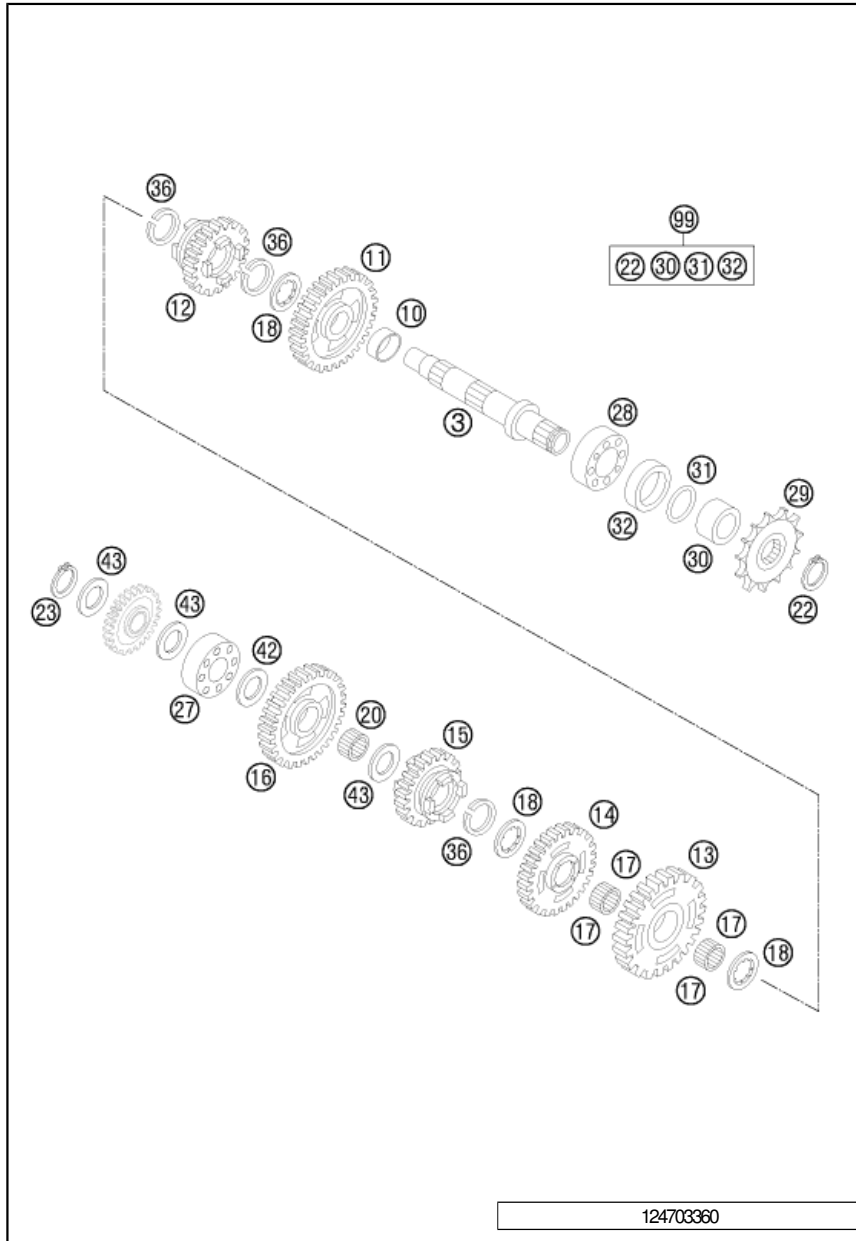
PCS	PARTNUMBER	PARTNAME
1	47033001000	MAIN SHAFT 11-T85 SX2003
7	47033007000	IDLER GEAR 5TH G 21-T03
8	47033008000	SLID. GEAR 3RD/4TH G 16/19-T
9	47033009100	IDLER GEAR 6TH G 20-T05
10	47033010000	SOLID GEAR 2ND G 14-T03
20	47033020000	IDLER GEAR BUSHING 05
25	46033028000	GROOVED BALL BEARING 20X42X12
26	47033026000	BALL BEARING 16X35X8
35	46030029000	H/NUT 14X1,25X7 W6-22
39	47033039000	STOP DISK 05
40	47033041000	STOP DISC 16X26X1
41	47033096000	AXIAL CLIP 19 SW
78	46030078000	LOCKING PLATE D=14MM

124703330

C124703330

* N

TRANSMISSION II - COUNTERSHAFT



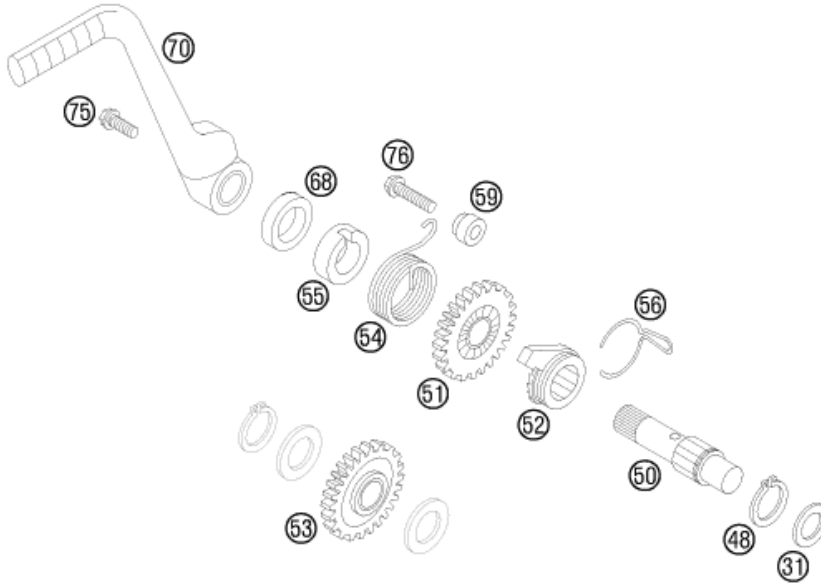
PCS	PARTNUMBER	PARTNAME
3	47033003100	COUNTERSHAFT
10	47033021000	IDLER GEAR BUSHING 07
11	47033011200	IDLER GEAR 2ND G 28-T09
12	47033012100	SLIDING GEAR 6TH G 21-T
13	47033013200	IDLER GEAR 3RD G
14	47033014200	IDLER GEAR 4TH G
15	47033015100	SLIDING GEAR 5TH G 25-T
16	47033016000	IDLER GEAR 1ST G 29-T03
17	50133099000	NEEDLE CAGE K18X22X10 PARTIED
18	47033095000	SHIM
20	47033099000	NEEDLE BEARING K15X19X10S
22	49033091000	CIRCLIP AS20X1,75
23	0471150010	CIRCLIP DIND471-15X1
27	0625160020	BALL BEARING 16002 C3
28	0625062041	BALL BEARING 6204 JF2 C4
29	47033029013	ENGINE SPROCKET 13-T85 SX 03
29	47033029014	ENGINE SPROCKET 14-T85 SX 03
30	47033030000	SPACER FOR SPROCKET
31	46033031000	% O RING 18,77X1,78
32	0760263560	% SHAFT SEAL RING 26X35X6
36	0417210120	CIRCLIP SA21
42	47033040000	STOP DISC 15X25X1
43	47033043000	STOP DISC 15X25X0,5
99	00050000942	COUNTER SHAFT REPKIT 105/85SX

124703360

C134703360

* N

KICK STARTER



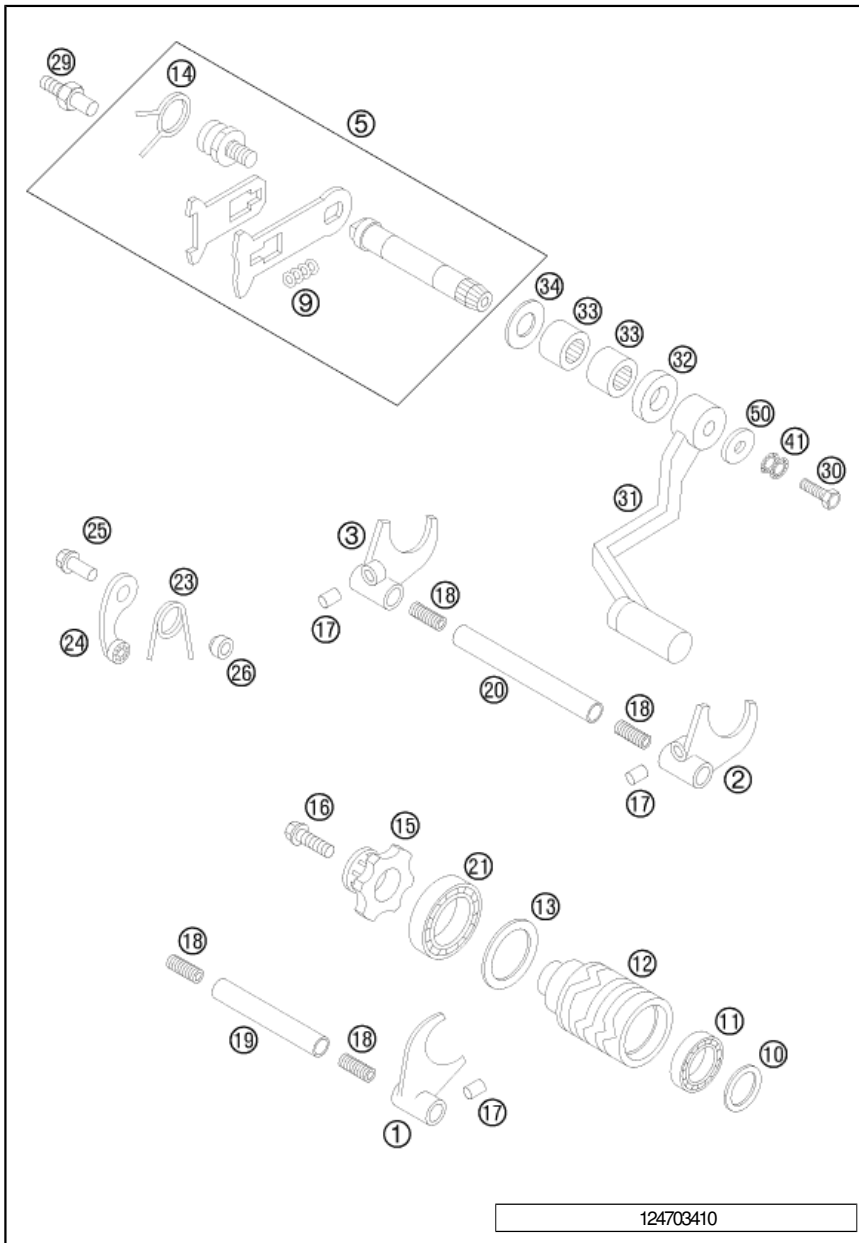
PCS	PARTNUMBER	PARTNAME
31	47033040000	STOP DISC 15X25X1
48	0471190120	CIRCLIP DIN471-19X1,2
50	47033050100	KICKSTARTER SHAFT 85 SX LONG
51	47033051000	KICKSTART GEAR 85 SX 2003
52	47033052000	PATCHET GEAR 85 SX 2003
53	47033053000	KICKST. INTERMEDIATE GEAR 2003
54	47033054000	KICKSTART SPRING 85 SX 2003
55	46033055000	DRIVING HUB
56	47033056000	PATCHET GEAR SPRING 85 SX 2003
59	47033059000	SPRING SPACER 85 SX 2003
68	0760142460	SHAFT SEAL RING 14X24X6 B
70	47033070000	KICKSTARTER CPL. 85 SX 2003
75	0015060163	HH COLLAR SCREW M6X16 VS=8
76	0015050253	HH COLLAR SCREW M5X25 VS=8

124703390

C124703390

* N

SHIFTING MECHANISM



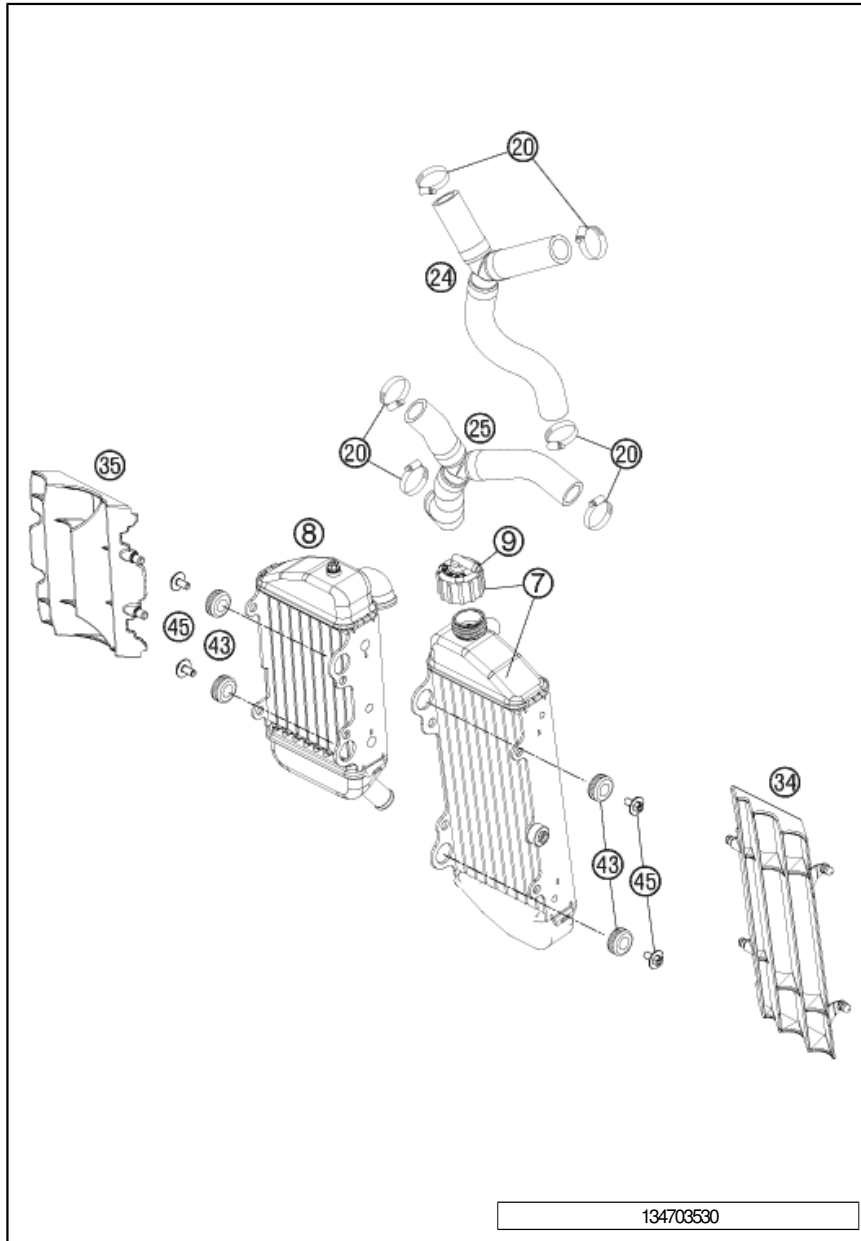
PCS	PARTNUMBER	PARTNAME
1	47034001000	SHIFT FORK 5TH/6TH GEAR 2003
2	47034002000	SHIFT FORK 2ND/3RD GEAR 2003
3	47034003000	SHIFT FORK 1ST/4TH GEAR 2003
5	47034005044	SHIFTING SHAFT CPL. 85 SX 2003
9	46034009000	PRESSURE SPRING SLIDER PLATE
10	47034091000	WASHER 15X20X0,5
11	0625069020	BALL BEARING 6902 15X28X7
12	47034012000	SHIFT ROLLER 85 SX 2003
13	47034092000	WASHER 25X32X0,5
14	46034014000	RETURN SPRING
15	47034015000	SHIFT LOCATION DRUM 85 SX 2003
16	0025060256	HH COLLAR SCREW M6X25 TX30
17	0402061200	NEEDLE ROLLER DIN 5402 NFB 6X12
18	46034019052	SPRING SHIFT RAIL 2001
19	47034019000	SHIFTING RAIL 85 SX 2003
20	46034020100	SHIFT RAIL 2001
21	0625618050	BALL BEARING 61805 C3
23	46034023100	LOCKING LEVER SPRING 2001
24	46034024100	LOCKING LEVER CPL. 65 SX 2002
25	0025080206	HH COLLAR SCREW M8X20 TX40
26	47034052000	SLEEVE LOCKING LEVER
29	47034029000	AFPRESTIER FOR SPRING 2003
30	0933060205	HH SCREW DIN 933 M6X20 10.9
31	47034031000	SHIFT LEVER 85 SX 2003
32	0760142460	SHAFT SEAL RING 14X24X6 B
33	54632095000	NEEDLE BEARING HK 1412 14X20X12
34	47033043000	STOP DISC 15X25X0,5
41	50233041000	PAIR OF WASHERS M6 NORDLOCK
50	50232050001	STEEL WASHER 6,4X17X3

124703410

C134703410

* N

COOLING SYSTEM



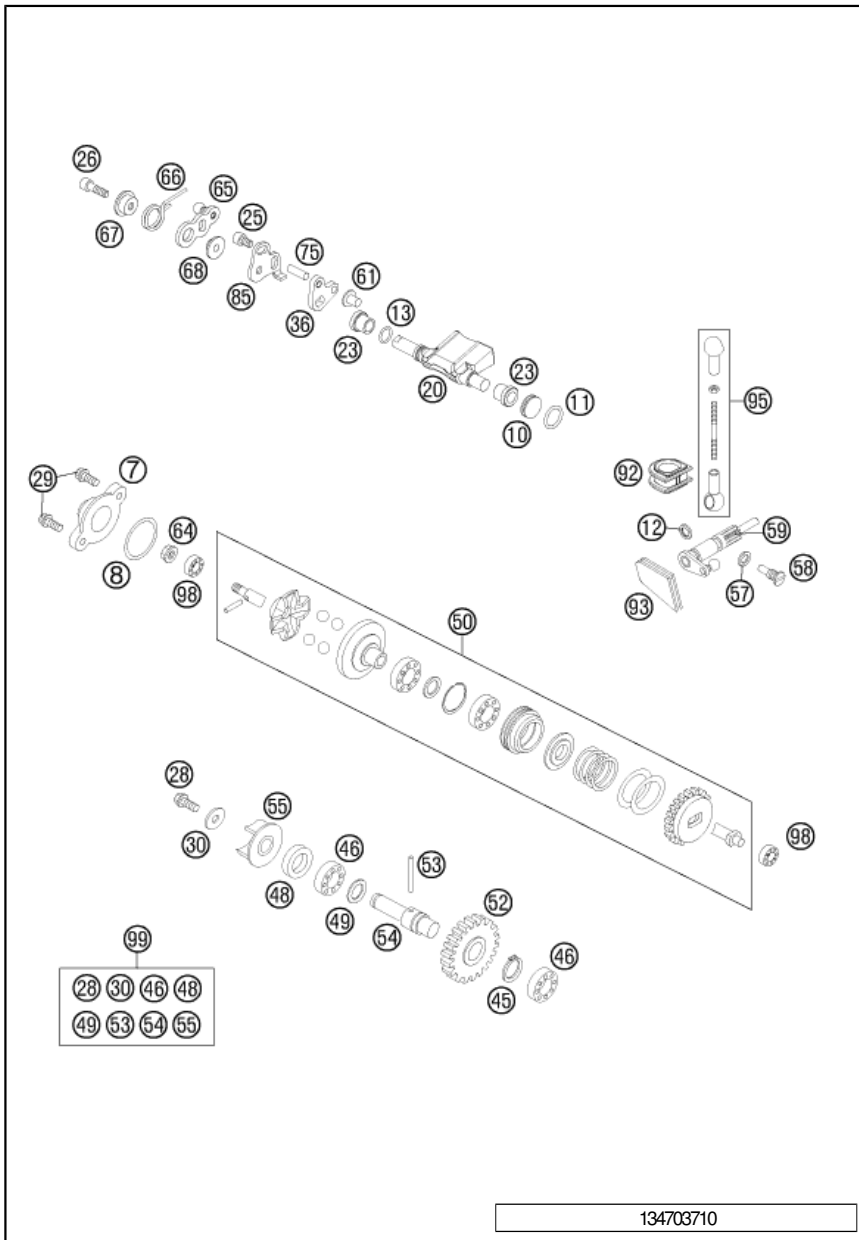
134703530

PCS	PARTNUMBER	PARTNAME
7	47135007000	RADIATOR L/S
8	47135008000	RADIATOR R/S
9	72035016000	RADIATOR CAP 1,8 BAR
20	10001020000	HOSE CLAMP GEM 18-29
24	47135025033	RADIATOR HOSE CPL TOP
25	47135028033	RADIATOR HOSE BELOW
34	4713503400030	RADIATOR PROTECTOR L/S
35	46235034000	RADIATOR PROTECTOR 65 SX 2009
43	41001052000	RUBBER SLEEVE D= 12MM
45	0024060123	COLLAR SCREW M6X12 TX

C144713530

* N

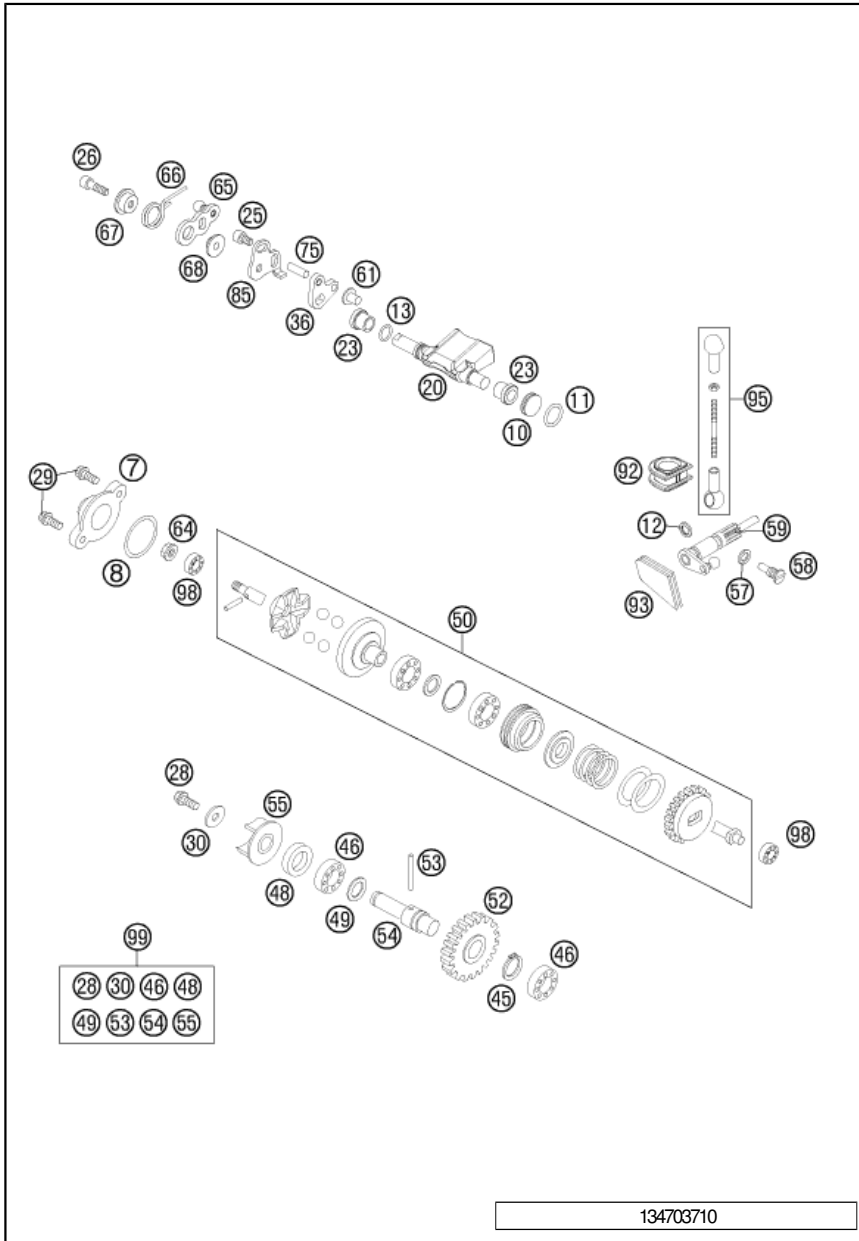
EXHAUST CONTROL



PCS	PARTNUMBER	PARTNAME
7	54637070200	CLOSING COVER 2003
8	0770020200	O RING 21,95X1,78 NBR
10	47037010000	CLOSING COVER 85 SX 2003
11	0770120020	O RING 12,00X2,00 NBR 70
12	54632090000	SEAL RING DH/GR 12X16X3
13	0770008015	O RING 8,00X1,5
20	47137020000	CONTROL FLAP
23	47037023000	BEARING SLEEVE 85 SX 2003
25	0912050063	AH SCREW DIN 912 M5X6
26	0912050163	AH SCREW DIN 912-M5X16
28	0015050123	HH COLLAR SCREW M5X12 V6=8
29	0015050203	% HH COLLAR SCREW M5X20 V6=
30	0349000050	WASHER DIN 7349-5X15X2
36	47037036000	DRIVER SHEET 85 SX 2003
45	0471100010	CIRCLIP DIN 471-10X1
46	0625006087	GROOVED BALL BEAR 608 2FSC3
48	0760082472	SHAFT SEAL RING 8X24X7 ADJ
49	54334015000	WASHER 10X14X0,5 STEEL
50	47037050044	CENTRIFUGAL TIMER CPL
52	47035054026	WATER PUMP GEAR 2003
53	47035058000	PIN 2X22
54	47035054000	WATER PUMP SHAFT 85 SX 2003
55	47035055000	WATER PUMP WHEEL 85 SX 2003
57	0603040801	COPPER GASKET DIN 7603- A4X8X1
58	47037058000	LOCK SCREW CONTROL SHAFT 03
59	47037057100	CONTROL SHAFT 85 SX 06
61	47035061000	SCREW M6X8
64	56509064100	SELF LOCKING NUT M6 10.9
65	47037065000	CONTROL LEVER 85 SX 2003
66	54637066000	OVERLOAD SPRING
67	47037067000	SPRING SLEEVE 85 SX 2003
68	47037068000	BEARING SLEEVE 85 SX 2003
75	0007050180	CYLINDER PIN DIN 7-5X18(M6)
85	47137086000	STOP PLATE
92	47137091000	GASKET RUBBER
93	47037093000	GASKET RUBBER BOTTOM 85 SX
95	47037095044	CONNECT. ROD CPL 85 SX 03

* N

EXHAUST CONTROL



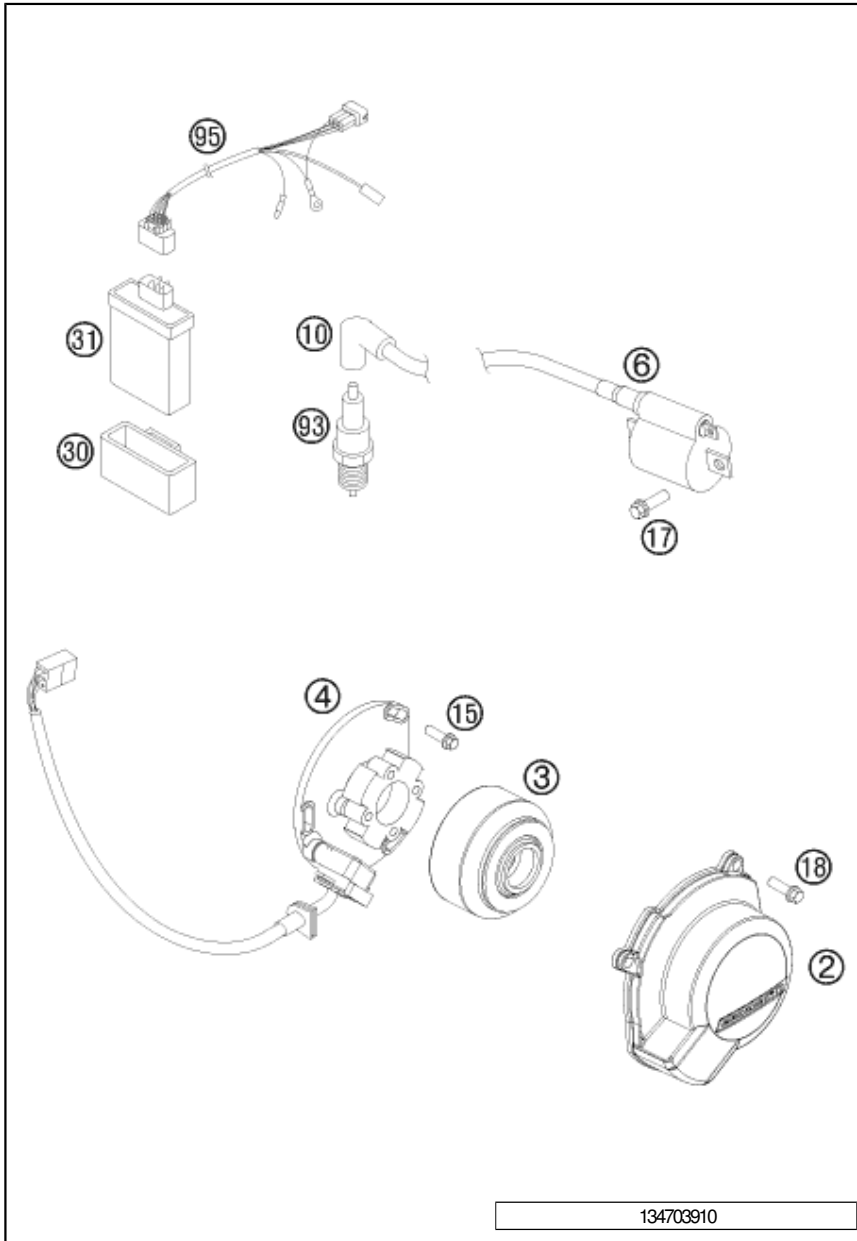
PCS	PARTNUMBER	PARTNAME
98	54637098100	BALL BEARING 626LLBC3/5K
99	47035055010	WATER PUMP REP. KIT 85 SX

134703710

C144713710

* N

IGNITION SYSTEM



PCS	PARTNUMBER	PARTNAME
2	47030002100	IGNITION COVER
3	46139005000	ROTOR 65 SX 2003
4	46139004000	STATOR 65/85 SX 2003
6	46139006100	IGNITION COIL CPL. 65 SX 2003
10	47039090000	SPARK PLUG CAP NGK REINFORC.04
15	0015050163	HH COLLAR SCREWMM5X16 WS=8
17	0015060163	HH COLLAR SCREWMM6X16 WS=8
18	0015060203	HH COLLAR SCREWMM6X20 WS=8
30	46139030000	RUBBER BR. DIG.BOX 65SX 2003
31	47039031000	CDI UNIT 85 SX 2003
93	51539093000	SPARK PLUGBF9EQMX
95	46139095000	WIRING HARNESS 65 SX 2003

134703910

C144713910

* N

NOTES

NOTES

NOTES

3CM080405PEN

3CM080405PEN



Husqvarna Motorcycles GmbH
Stallhofnerstraße 3 | 5230 Mattighofen | Austria
www.husqvarna-motorcycles.com

