

SPAREPARTSCATALOG

CHASSIS

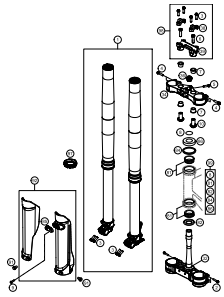
ART.-NR.: 3CFF2201P1EN

FC 350 2016



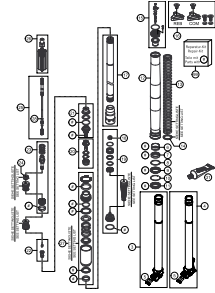
Husqvarna®
MOTORCYCLES

FRONT FORK, TRIPLE CLAMP



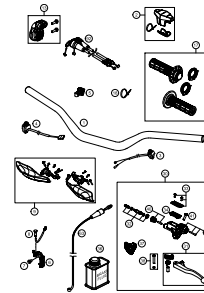
4

FRONT FORK DISASSEMBLED



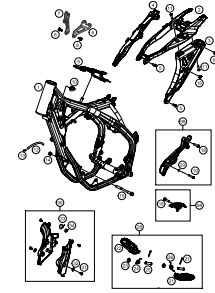
5

HANDLEBAR, CONTROLS



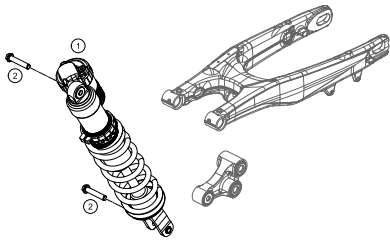
6

FRAME



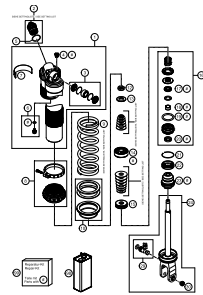
7

SHOCK ABSORBER



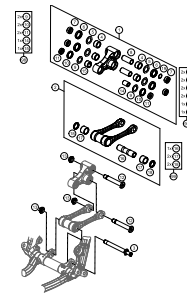
8

SHOCK ABSORBER DISASSEMBLED



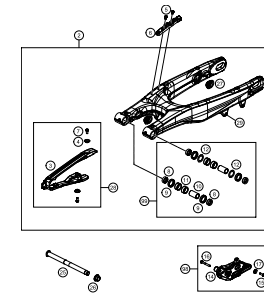
9

PRO LEVER LINKING



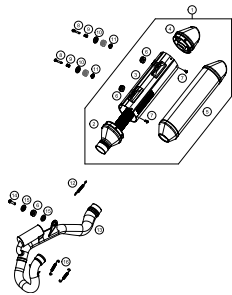
10

SWING ARM



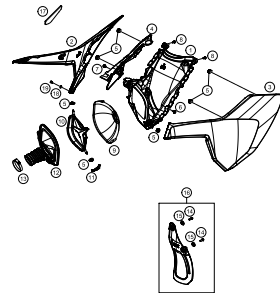
11

EXHAUST SYSTEM



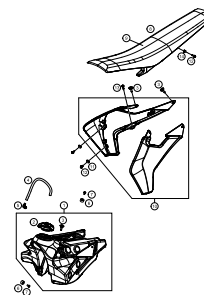
12

AIR FILTER



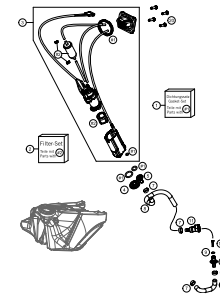
13

TANK, SEAT, COVER



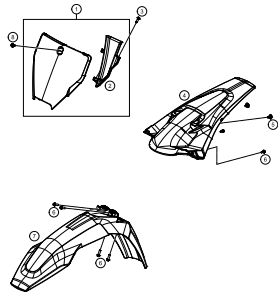
14

FUEL PUMP



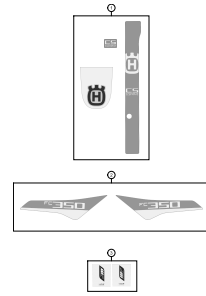
15

MASK, FENDERS



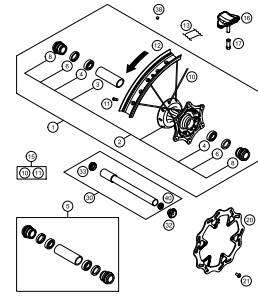
16

DECAL



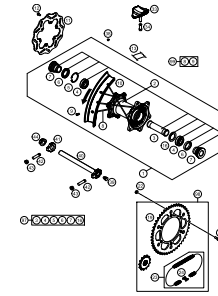
17

FRONT WHEEL



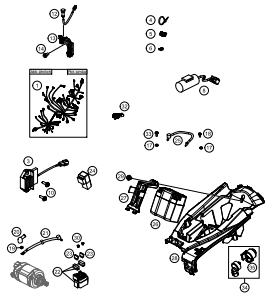
18

REAR WHEEL



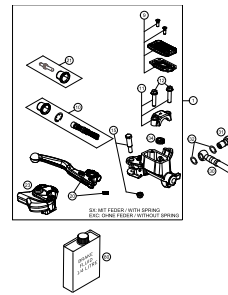
19

WIRING HARNESS



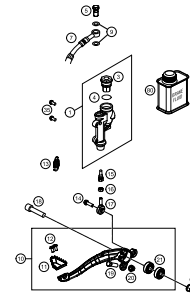
20

HAND BRAKE CYLINDER



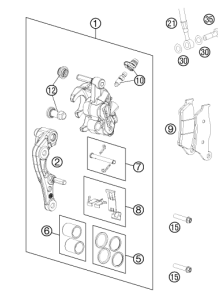
21

REAR BRAKE CONTROL



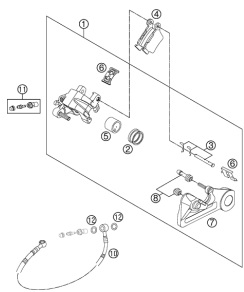
22

BRAKE CALIPER FRONT



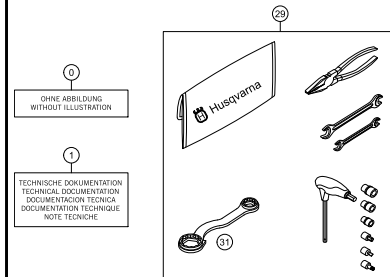
23

BRAKE CALIPER REAR



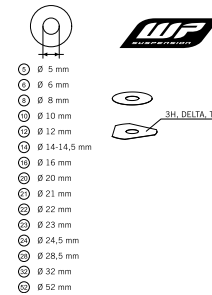
24

ACCESSORIES KIT



25

WP SHIMS FOR SETTING

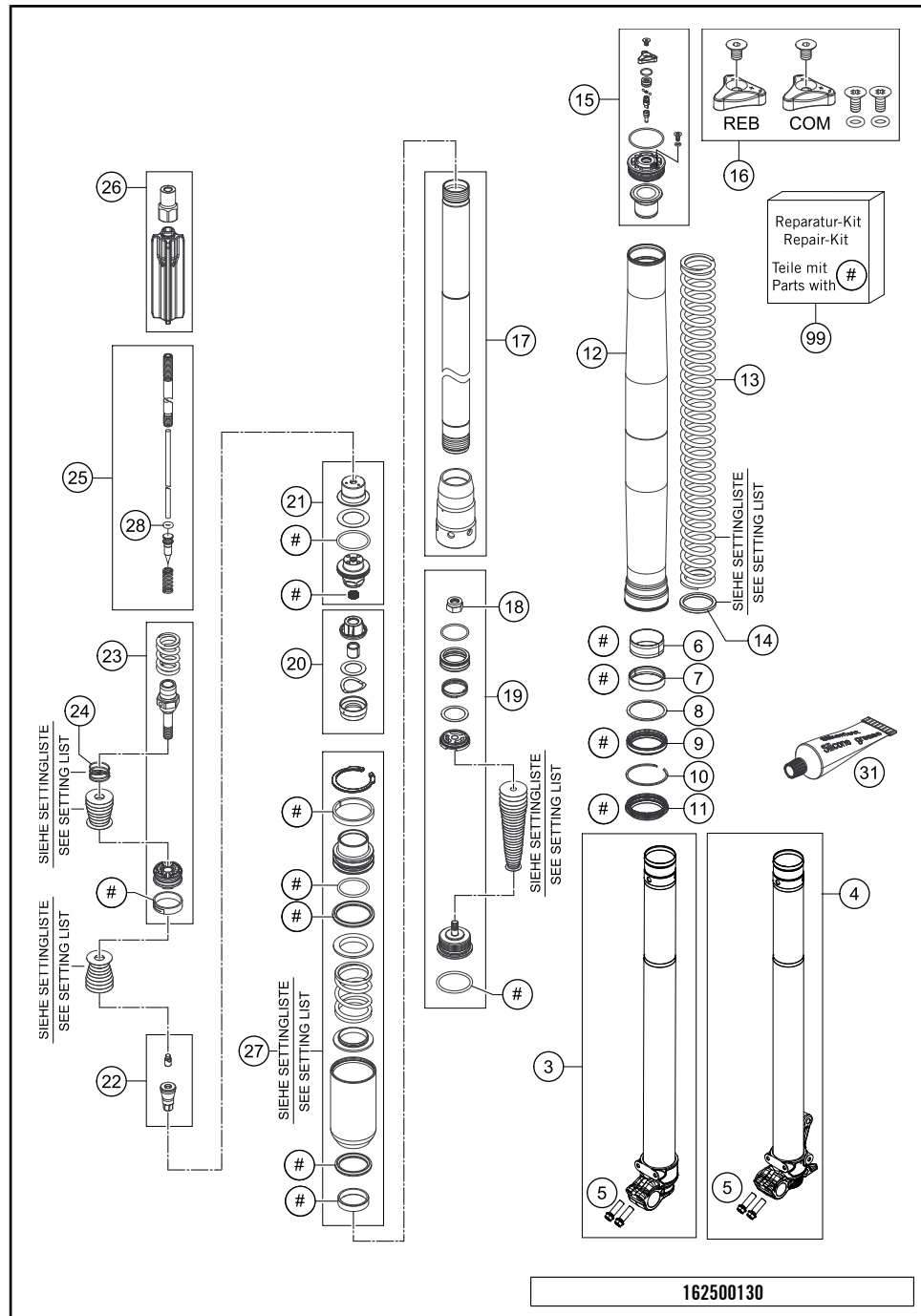


26



All information contained is without obligation. HUSQVARNA MOTORCYCLES GmbH particularly reserves the right to modify any equipment, technical specifications, prices, colors, shapes, materials, services, service work, constructions, equipment and the like so as to adapt them to local conditions or to cancel any of the above items, all without previous announcement and without giving reasons. KTM may stop manufacturing certain models without previous notice. HUSQVARNA MOTORCYCLES shall not be held liable for any deviations of availability and/or ability to deliver, illustrations, descriptions, printing and/or other errors. The illustrated models partly contain extra equipment, which is not applied to standard models.

© by HUSQVARNA MOTORCYCLES GmbH, Mattighofen AUSTRIA; All rights reserved; Reprint, also in extracts, with written allowance of HUSQVARNA MOTORCYCLES GmbH, Mattighofen only.



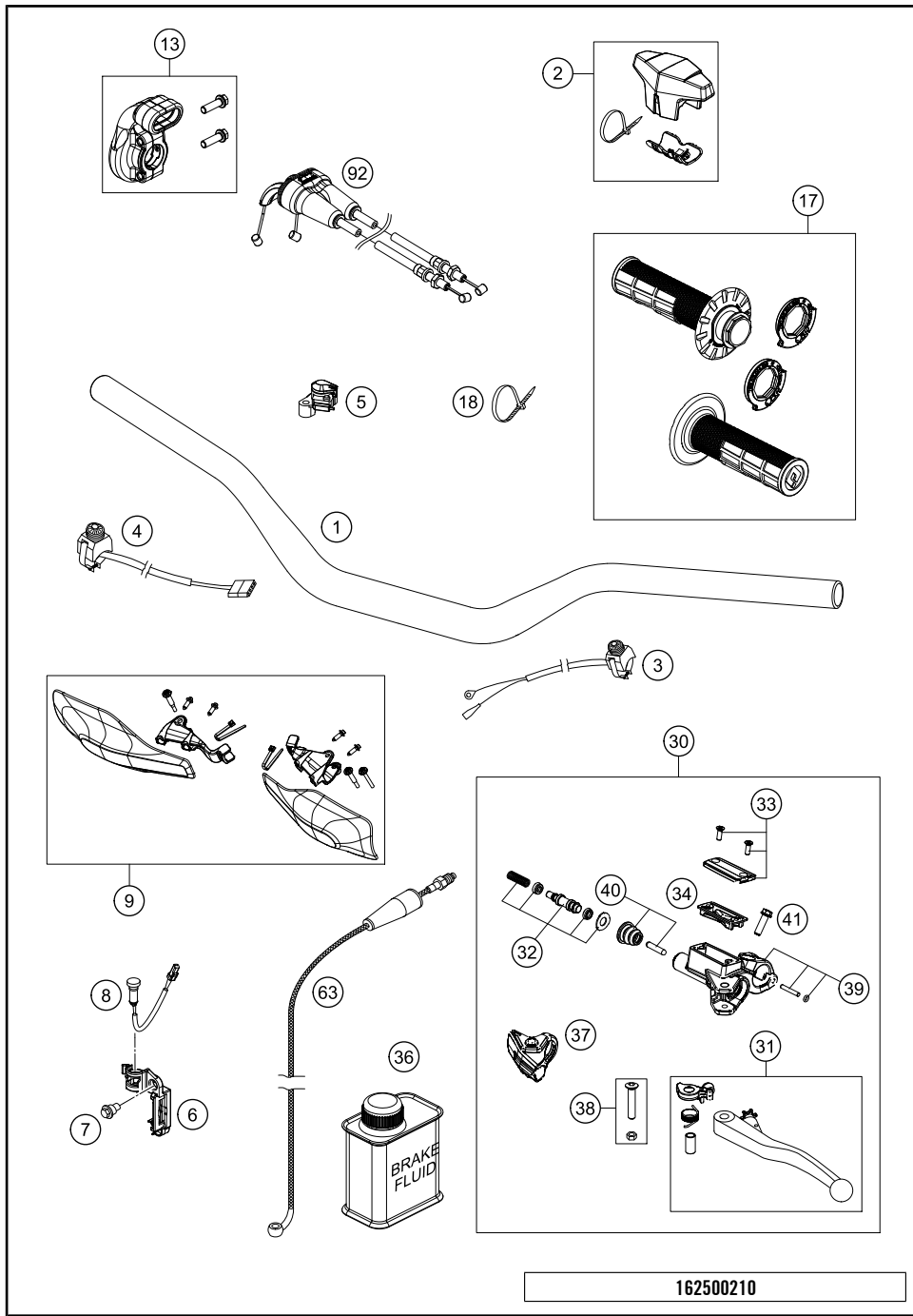
POS	PARTNUMBER	PARTNAME	PIECE
3	48601327S1	AXLE CLAMP R/S WITH INNER TUBE	1
4	48601326S1	AXLE CLAMP L/S WITH INNER TUBE	1
5	0025080256	HH COLLAR SCREW M8X25 TX40	4
6	48601008	GUIDING BUSH 47X49X20 R11	2
7	48601009	GUIDING BUSH 48X52X12 R11	2
8	48600013	SUPPORT RING 50 X 57,6 X 1,5	2
9	48601179	OIL SEALRING D48X57,9X11,4 RED	2
10	48600070	LOCK WASHER SB58	2
11*	48601562	DUST SEAL D48X58,4X5,7 RED	2
12	48600736	OUTER TUBE L577 D54/60MM 2L	2
13	91410100S	SPRING 4,0N/MM SET D=4,9MM	x
13	91410101S	SPRING 4,2N/MM SET D=4,9MM	x
13	91410102S	SPRING 4,4N/MM SET D=4,9MM	x
13	91410103S	SPRING 4,6N/MM SET D=4,9MM	x
13	91410104S	SPRING 4,8N/MM SET D=4,9MM	x
13	91410105S	SPRING 5,0N/MM SET D=4,9MM	x
14	48600456	SPACER 43X35X2,5	x
14	48600458	SPACER 43X35X1,5	x
15	48601116E	SCREW CAP M51X1,5 CPL.	1
15	48601050E	SCREW CAP M51X1,5 REB. KPL.	1
16	R14033	SCREW CAP SMALL PART KIT	1
17	48601031S	CARTRIDGE KIT	2
18*	40540486	NUT M6X0,5 REBOUND	2
19*	48601279S	BASE VALVE KIT	2
20	48601025S1	CHECK VALVE D21 CPL.	2
21	R14035	SCREW SLEEVE KIT	2
22*	48601527S	NEEDLE KIT	2
23*	R14056	TAP KIT	2
24	48600382	SHUTTLE VALVE SPRING C=0,4	2
25	48601343S	PISTON ROD CPL.	2
26	48601035S1	SPRING GUIDE CPL.	2
27*	48601315S5	PRESSURE TANK FOR 24187P** CPL	1
28	46811265	O-RING VITON 2,2X1,6	2
31	T511	SILICONE GREASE F. DUST STRI	1
99	R24001	REPAIR - KIT	x

162500130

C162500130

* NEW PART

X ON DEMAND



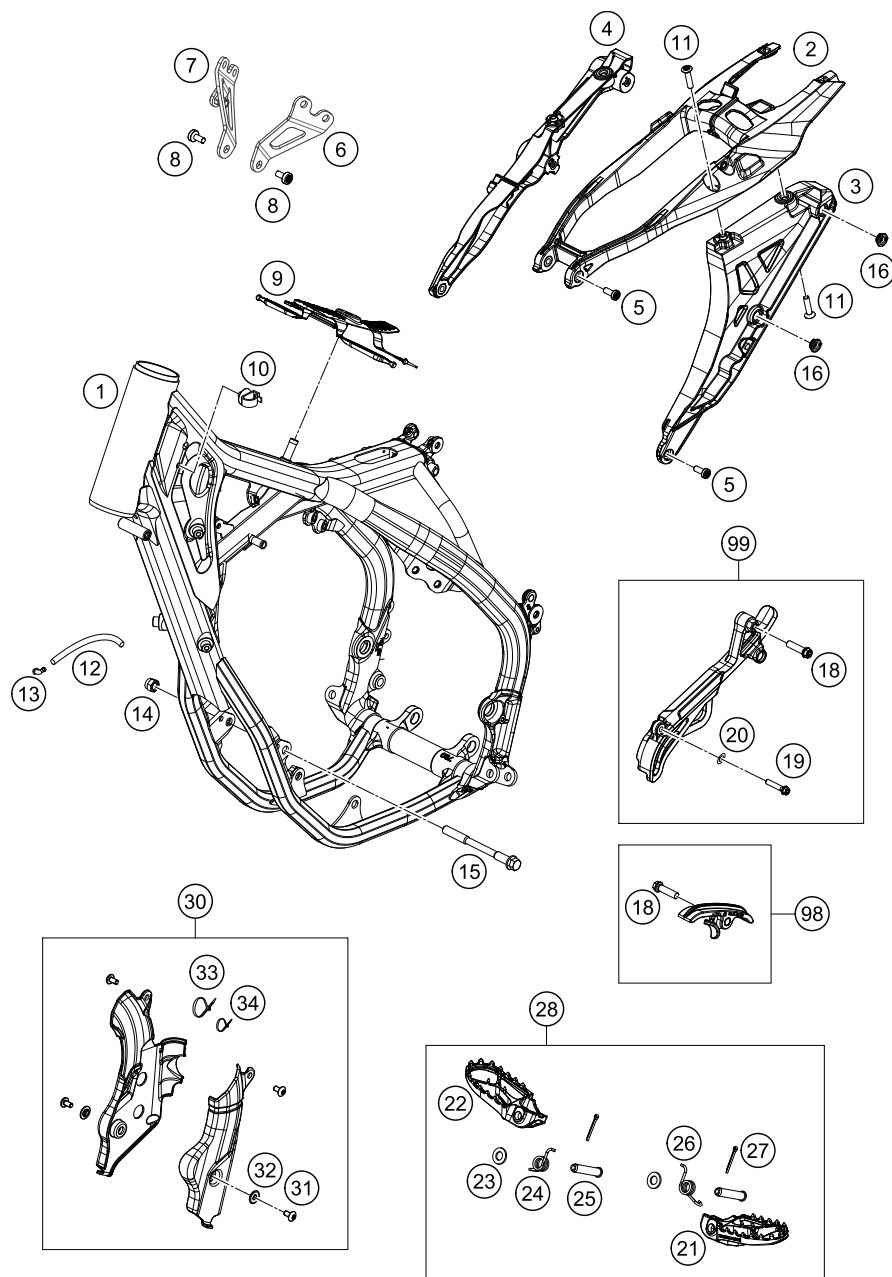
POS	PARTNUMBER	PARTNAME	PIECE
1*	2500200100030	HANDLEBAR D=28MM	1
2	80302602144	BAR PAD 2015	1
3	50311089200	SHORT CIRCUIT BUTTON 02	1
4	78111074000	STARTER BUTTON GREY 13	1
5	77239974100	MAP SWITCH SET	1
6	77214098000	HOLDER INDICATOR LIGHT SX	1
7	59001092050	SPECIAL SCREW M6X12,5 WS=8	1
8	81214083000	INDICATOR LIGHT LED YELLOW FI	1
9*	2500207900028	HANDGUARD CPL. LE.+RI. WHITE	1
13*	79002010025	THROTTLE CONTROL CASING CPL.	1
17*	79002021000	GRIP SET	1
18	44011076140	CABLE TIE 140/2,5MM BLACK	x
18	44011076200	CABLE TIE 200/3,6MM BLACK	x
30*	25002030044	MASTER CYLINDER DOT CPL. 9,0MM	1
31*	50302031300	CLUTCH LEVER CPL. 2009	1
32*	25002032000	REP. KIT PISTON DOT 9,0MM	1
33*	25002033000	COVER HYDR. CLUTCH DOT CPL.	1
34*	50302034100	RUBBER FOR RESERVOIR 09	1
36	00062030000	BRAKE FLUID DOT5.1 0,25L	1
37*	76502037000	PROTECT.CAP FOR LEVER PERCH 13	1
38*	50302038200	LEVER SCREW SHORT CPL. 09	1
39*	25002044000	CLAMP CPL. SEND BLASTED	1
40*	50302046000	PUSH ROD CPL. 09	1
41*	0025060166	HH COLLAR SCREW M6X16 TX30	1
63*	25032063000	CLUTCH PIPE L=955MM	1
92*	79002091000	THROTTLE CABLE CPL. 4STROKE	1

162500210

C162500210

* NEW PART

X ON DEMAND



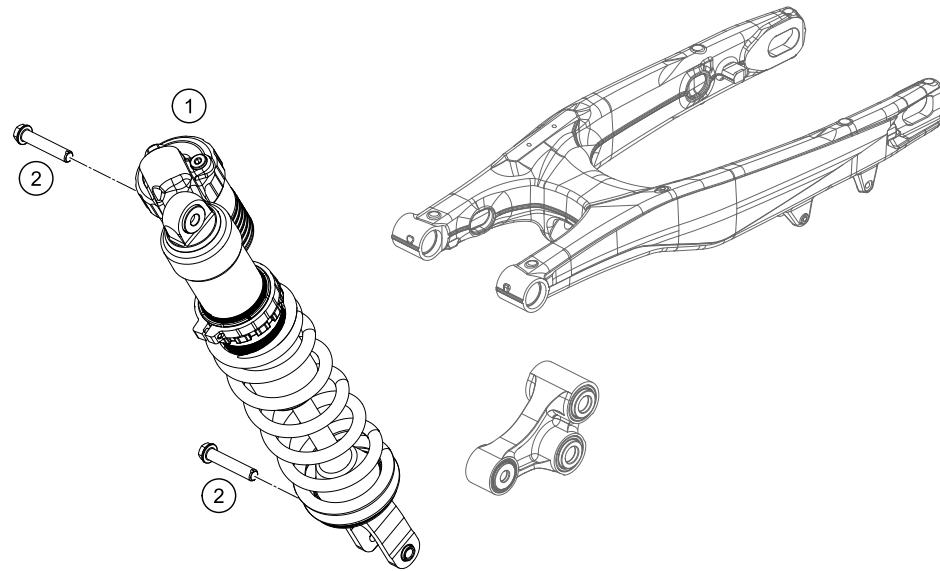
162500310

POS	PARTNUMBER	PARTNAME	PIECE
1*	7900300100028	FRAME "790P3" WHITE	1
2*	25003002010	SUBFRAME UPPER PART	1
3*	25003002020	SUBFRAME L/S	1
4*	25003002030	SUBFRAME R/S	1
5	0035080206S	AH-COLLAR SCREW M8X20 ISA45	4
6*	79003013000	ENGINE BRACE L/S	1
7*	79003014044	REINFORCING RIGHT CPL.	1
8*	0035080156S	AH-COLLAR SCREW M8X15 TORX45	6
9*	79007012000	TANK REST RUBBER	1
10*	58111076000	CABLE SUPPORT KHS NR.150-47610	1
11	0019080306S	COUNTER-SUNK SCREW ISA45 M8X30	4
12	55007016001	PVC-HOSE 7X10 PER METER	x
13	50303089000	ANGLE PIECE '97	1
14	54310086100	SELF LOCKING NUT M10 CU WS=14	2
15	77203014000	ENGINE BRAC.SCR. M10X115	2
16	47106003160	QUICK CONNECTOR CLUTCH	4
18	0025080306	HH COLLAR SCREW M8X30 TX40	2
19*	0025060406	HH COLLAR SCREW M6X40 TX30	1
20*	0125060003	WASHER DIN0125-A 6,4	1
21*	79003040000	FOOTREST L/S 2016	1
22*	79003041000	FOOTREST R/S 2016	1
23	0125100003	WASHER DIN0125-A10,5	2
24*	79003044000	FOOTREST SPRING R/S 2016	1
25	54803044000	PIN FOR FOOT PED 51.5X9.8 MM	2
26*	79003045000	FOOTREST SPRING L/S 2016	1
27	0094032253	PIN DIN0094-3,2X25 STEEL	2
28*	79003040033	FOOT PEGS SET CPL. 2016	1
30*	2500309400030	FRAME PROTECTION SET BLACK	1
31*	78105081010	SCREW TORX M5X10	4
32*	54803092060	BUSH F. FRAME PROTECTION 03	2
33*	44011076305	CABLE TIE 300/4,8MM BLACK	2
34*	44011076140	CABLE TIE 140/2,5MM BLACK	1
98*	79003053010	CHAIN SLIDING KIT BELOW CPL.16	1
99*	79003096010	SPROCKET COVER KIT	1

C162500310

* NEW PART

X ON DEMAND



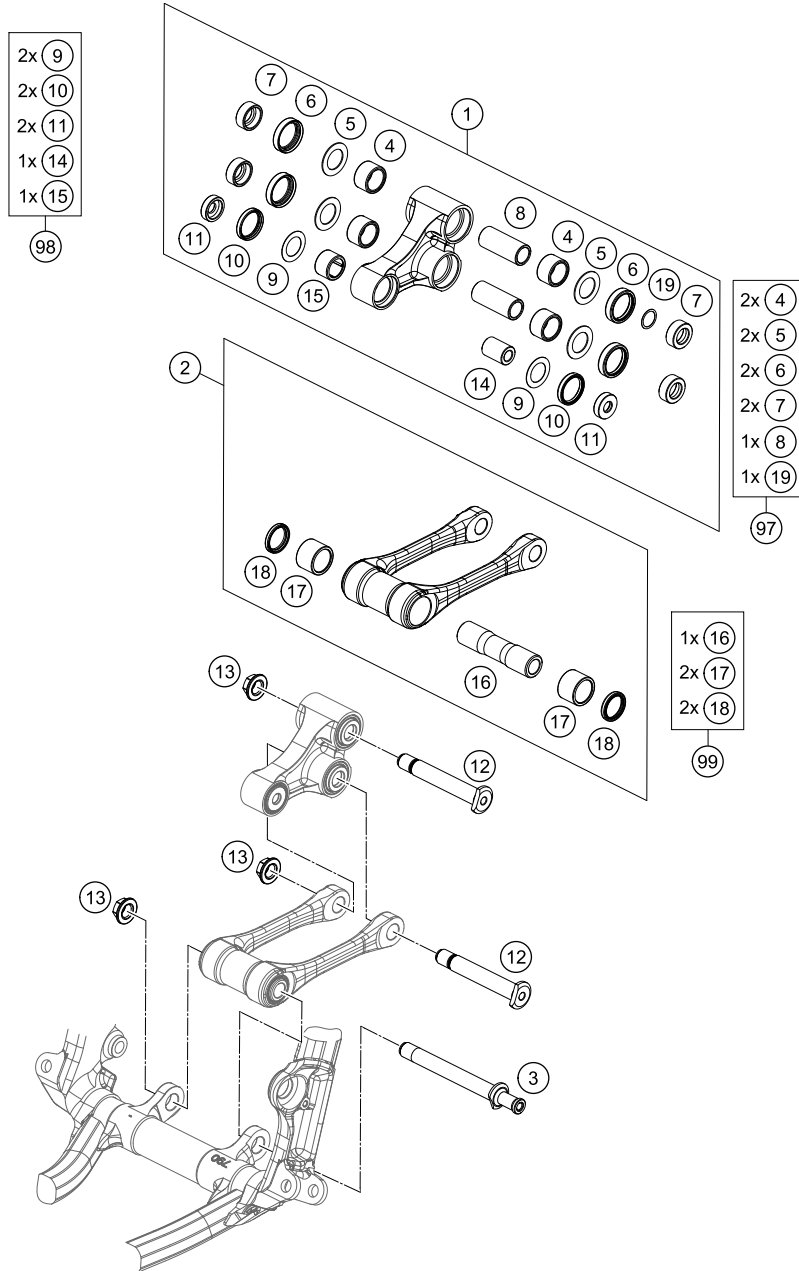
POS	PARTNUMBER	PARTNAME	PIECE
1*	18187P5701	MONOSHOCK LINK 350 SX-F US 16	1
2	77204089000	HH COLLAR SCREW M10X52 SW13	2

157890410

C167920410

* NEW PART

X ON DEMAND

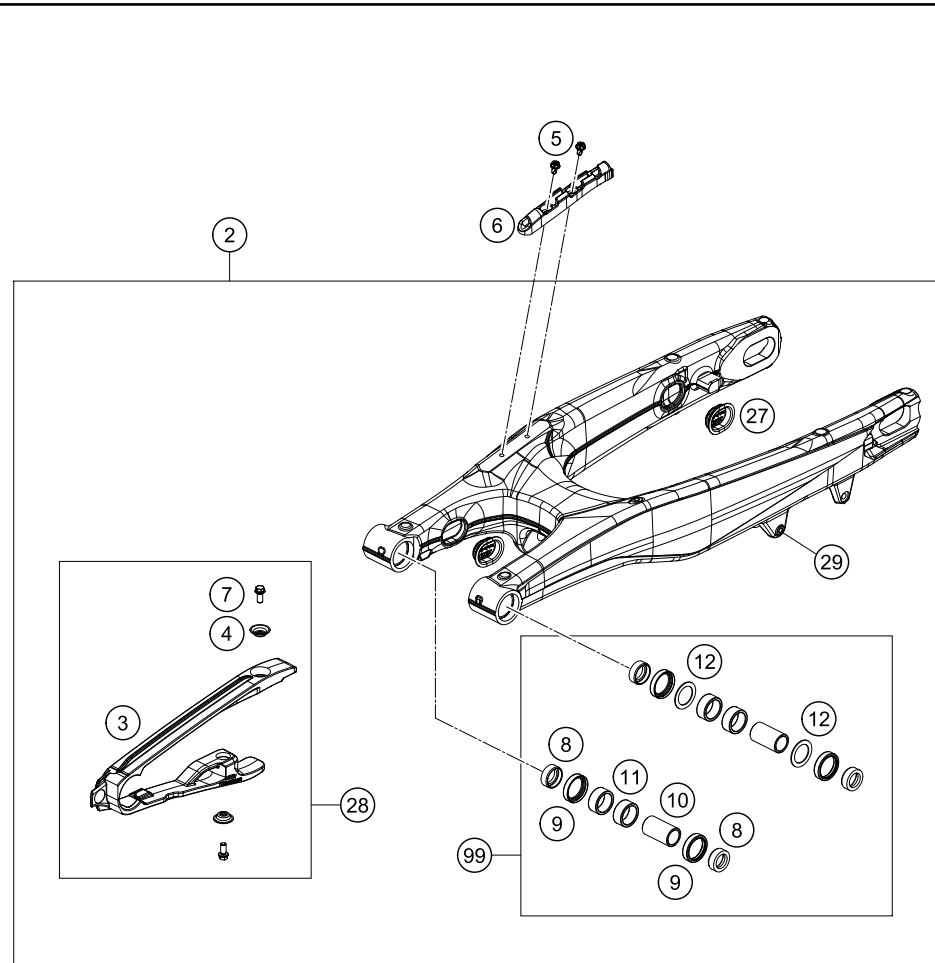


POS	PARTNUMBER	PARTNAME	PIECE
1*	7900408004401	TRIANGLE LEVER CPL. SX 2016	1
2*	7900408304401	PULLROD CPL. SX 2016	1
3*	79004084000	BOLT TIE-ROD BEARING M14X1,5	1
4	54603097000	NEEDLE BUSH HK 2016	4
5	59033080000	SHIM 20X32X1	4
6	0760253270	SHAFT SEAL RING 25X32X7	4
7	77204080130	BUCKET SHAFT SEAL RING 25X11	4
8	54603081000	BUSHING SLEEVE 15 X 20 X 48	2
9	50180604	SHIM D29,75 X D19 X T0,4 08	2
10	0760243050	SHAFT SEAL RING 24X30X5	2
11	77204080020	BUCKET FOR SHAFT SEAL RING	2
12	77204085000	BOLT FOR CANTILEVER M14	2
13	77204087000	HEX NUT M14X1.5 SW17	3
14	77204080010	BEARING SLEEVE 10X18X25,5	1
15	0618182416	NEEDLE BUSH HN1816 RS 18/24/16	1
16*	79004084010	BEARING SLEEVE F. TIE-ROD 16	1
17	0618222820	NEEDLE BEARING HK2220 22X28X20	2
18	0760222841	SHAFT SEAL RING G22x28x4	2
19	54603090010	STEEL WASHER 15,2X19X0,1	x
19	54603090020	STEEL WASHER 15,2X19X0,2	x
19	54603090030	STEEL WASHER 15,2X19X0,3	x
97	77204080110	TRIANGLE LEVER REP. KIT REAR	x
98	77204080090	TRIANGLE LEVER REP. KIT FRONT	x
99	79004083010	PULL ROD REP. KIT SX-F	x

157890460

C167900460

* NEW PART X ON DEMAND



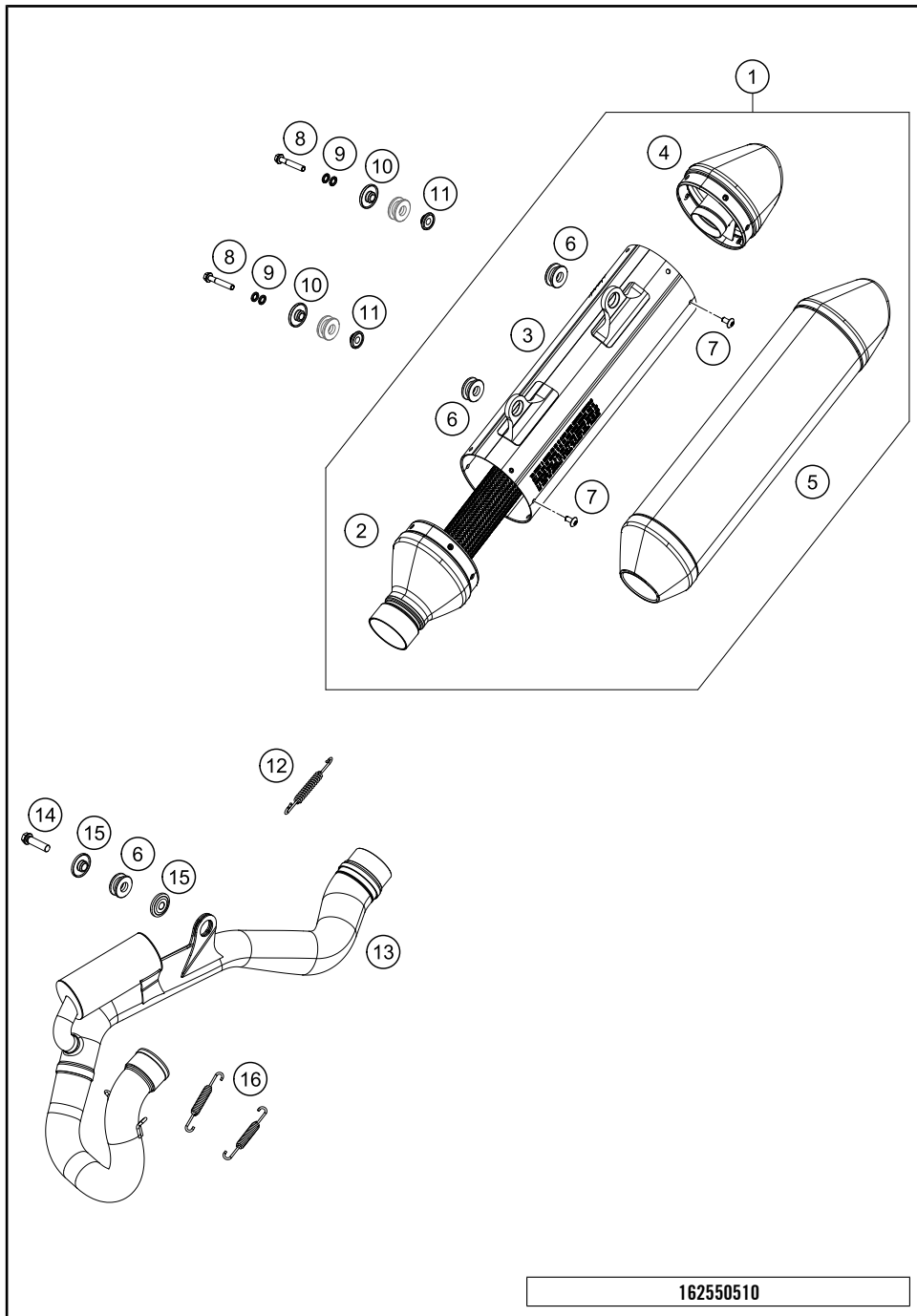
POS	PARTNUMBER	PARTNAME	PIECE
2*	25004030044	SWINGARM CPL. 2016	1
3	77204066100	CHAIN SLIDING PROTECTION	1
4	77304066050	BUSHING F. CHAIN SLIDING PR.07	2
5	0009050106	EJOT SPIRAL SCREW SF M5X10-K	2
6*	79004042000	BRAKE HOSE GUIDE	1
7	59009062013	SPECIAL SCREW M6X13 WS=8 10.9	2
8*	77704034000	SUPPORT F. SHAFT SEAL RING 16	4
9	0760253270	SHAFT SEAL RING 25X32X7	4
10*	59404032000	BEARING SLEEVE 17X22X38,7 03	2
11*	0618222812	NEEDLEBEAR HK2212V 22/28/12 MB	4
12	54603036000	STOP DISK 22,2X31,7X1	2
14*	79004070000	CHAIN GUIDE	1
15	59009062019	SPECIAL SCREW M6X19 WS=8 10.9	1
16	0025060456	HH COLLAR SCREW M6X45 TX30	1
17	77304070130	BUSH. F. CHAIN FAIL. PROT. 07	1
25*	79004037000	SWING ARM M16X1,5 2016	1
26	54804038000	SELF LOCK.NUT M16X1,5 WS=19 03	1
27	77204041000	CLOSING COVER	4
28	77204066010	CHAIN GUARD CPL. 11-15	1
29	54603055051	PRESS IN NUT M6 STEEL ZINC	1
98	79004070010	CHAIN GUIDE KIT REAR 16	1
99	79004030010	SWING ARM REPAIR KIT SX-F	x

167940490

C162500490

* NEW PART

X ON DEMAND



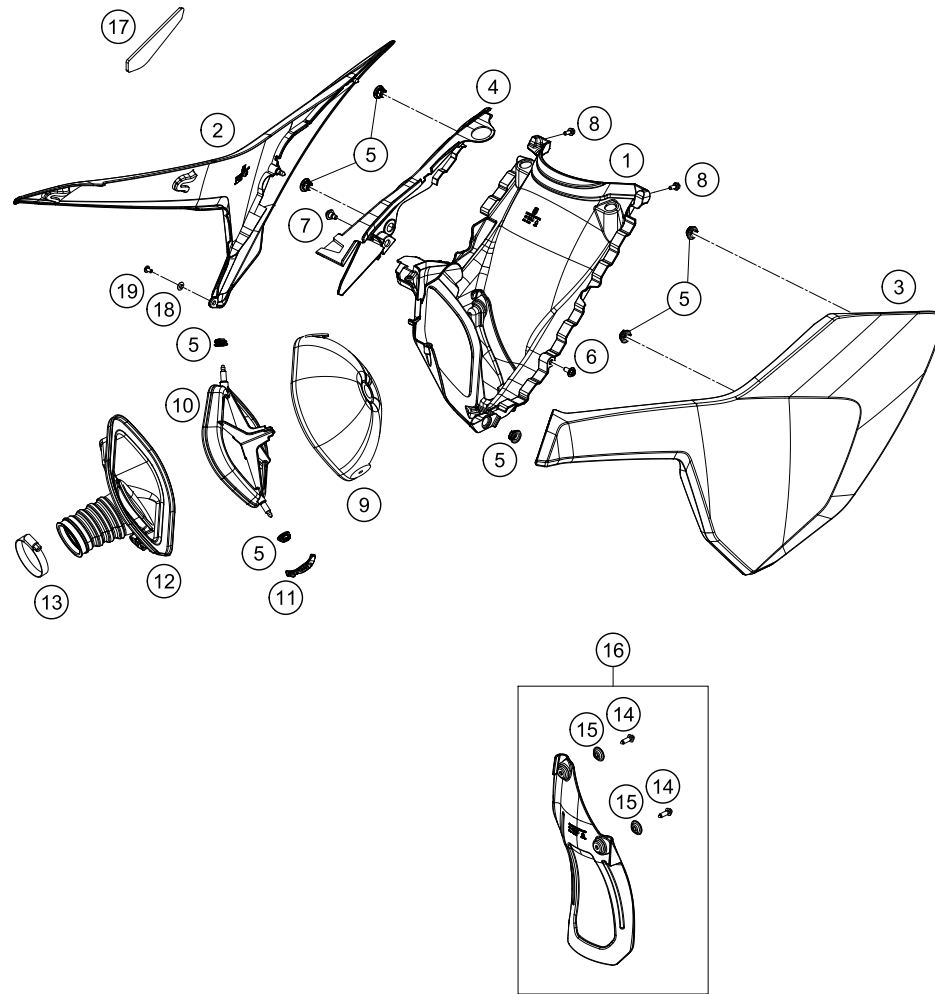
162550510

POS	PARTNUMBER	PARTNAME	PIECE
1*	25505079000	SILENCER	1
2*	25505079050	MUFFLER CONNECTION CAP	1
3*	25505079080	SILENCER HOUSING	1
4*	25505079060	ENDCAP CPL.	1
5*	25505078590	INSULATING PACKAGE 590 GRAMM	1
6	77205068000	DAMP. COMPON. BLACK	3
7	78105081010	SCREW TORX M5X10	12
8	0025060356	HH COLLAR SCREW M6X35 TX30	2
9*	50233041000	PAIR OF WASHERS M 6 NORDLOCK	2
10	77205169000	BUSHING 7.5x12x28x8.3 11	2
11*	77205069000	BUSHING 7.5x12x20x8.2 11	2
12	50305116000	TEN.SPRING L=75MM EY.MOVEABLE	1
13*	79205007000	EXHAUST MANIFOLD SX	1
14*	0025080356	HH COLLAR SCREW M8X35 TX40	1
15*	77805069000	BUSHING 8.5x12x28x8.3	2
16	50305016000	TEN.SPRING L=62MM EY.MOVEABLE	2

C162550510

* NEW PART

X ON DEMAND



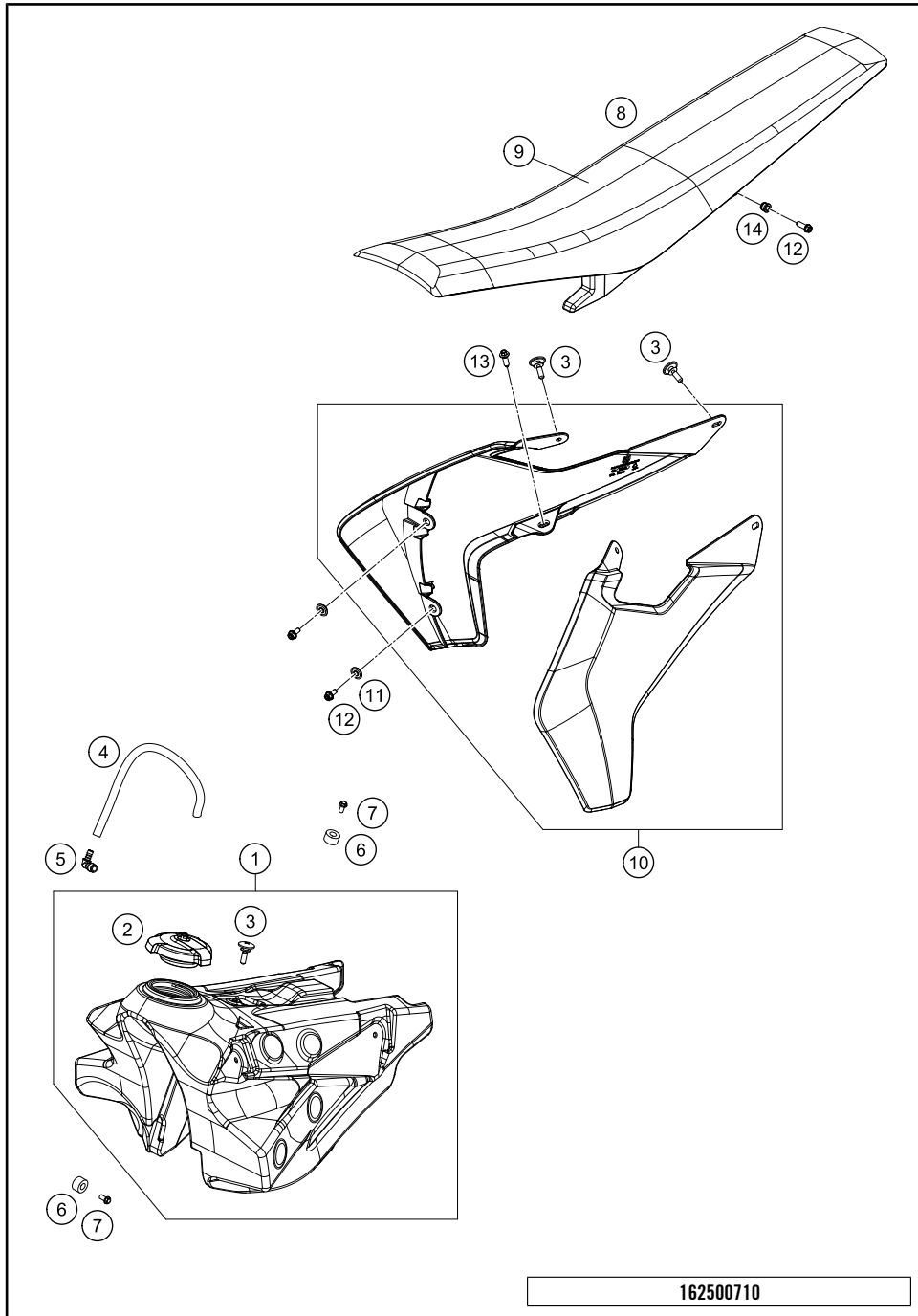
POS	PARTNUMBER	PARTNAME	PIECE
1*	25006001000	AIR FILTER BOX	1
2	2500600400028A	FILTER BOX COVER R/S WHITE WITH DECAL	1
3	2500600300028A	FILTER BOX COVER L/S WHITE WITH DECAL	1
4*	25006001050	AIR BOX COVER	1
5	47106003160	QUICK CONNECTOR CLUTCH	7
6*	0024060136	HH COLLAR SCREW M6X13 TX30	1
7*	59001092050	SPECIAL SCREW M6X12,5 WS=8	1
8*	0025050126	HH COLLAR SCREW M5X12 TX30	2
9*	79006015000	AIR FILTER	1
10*	79006016000	AIR FILTER SUPPORT	1
11*	79006017000	FILTER MOUNTING BRACKET	1
12*	79006026000	INTAKE BOOT	1
13	78006027000	HOSE CLAMP 45-65MM	1
14	0017060206	SCREW F. PLASTIC K60X20AL SW6	2
15	77304066050	BUSHING F. CHAIN SLIDING PR.07	2
16*	79006010010	SPLASH PROTECTOR KIT	1
17*	79008013050	THERMAL PROTECTION FOIL	1
18*	25006004050	BUSHING 5,1X6,5X4	1
19*	78105081010	SCREW TORX M5X10	1

162500610

C162500610

* NEW PART

X ON DEMAND



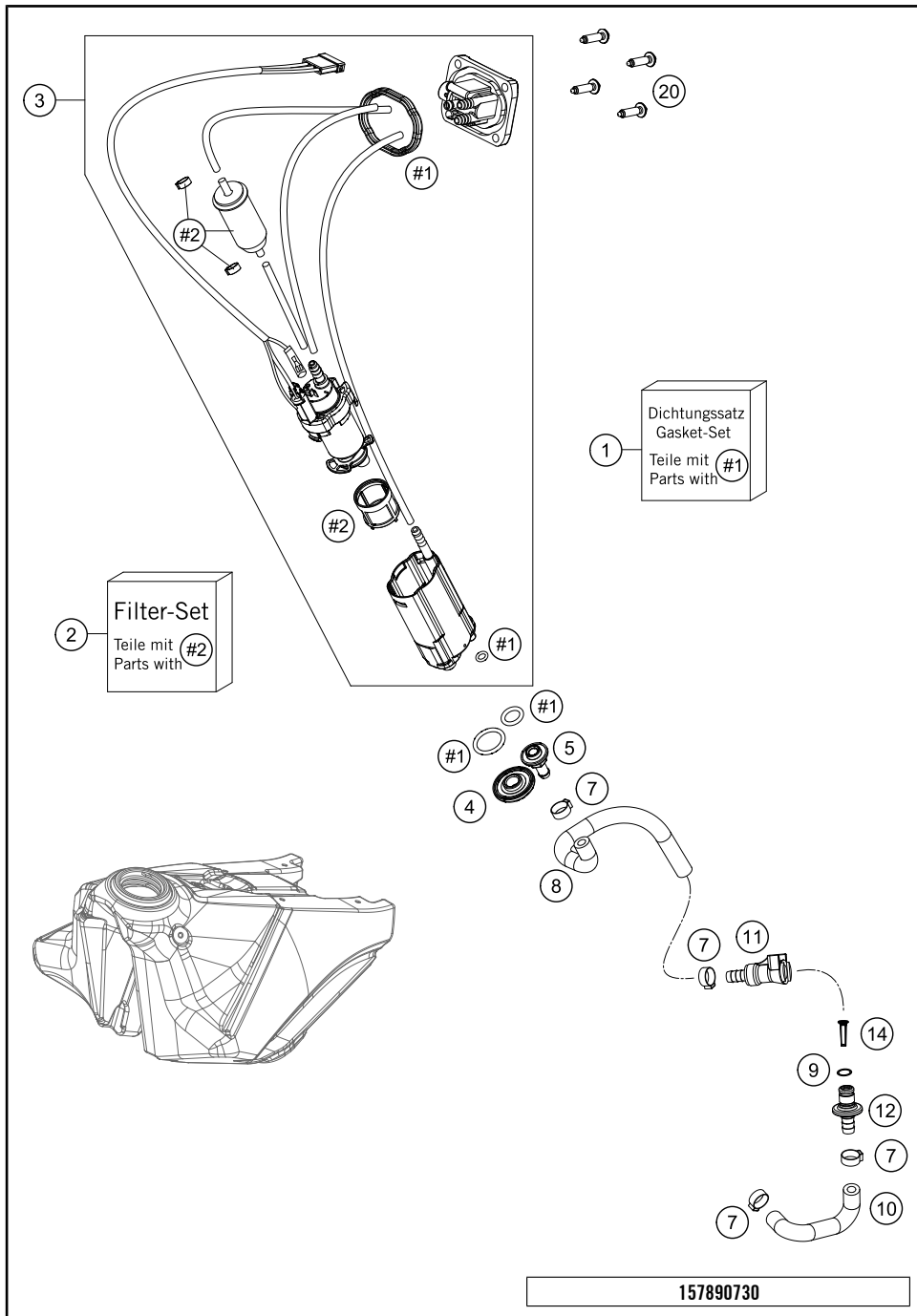
POS	PARTNUMBER	PARTNAME	PIECE
1*	2500701304430	FUEL TANK CPL. FC 16	1
2*	2500700804455	TANK CAP CPL.	1
3	50307011000	SCREW SEAT FASTENING D=6X23/18	5
4	78007000270	PVC-HOSE 5,6X10X270MM	1
5	51030022000	ANGLE PIECE 90 DEGREE M10X1	1
6	50307014000	TANK ROLLER 12X26X12 '98	3
7	0026060136	COLLAR SCREW M6X13 ISA30	3
8*	25007040000	SEAT CPL.	1
9*	25007040050	SEATCOVER TC/FC 16	1
10*	25008054000HAA	SPOILER SET BLUE TC/FC 2016 WITH DECAL	1
11	50308052000	BUSH FOR SPOILER 6X11X16X5 MM	4
12*	0025060166	HH COLLAR SCREW M6X16 TX30	5
13	0017060206	SCREW F. PLASTIC K60X20AL SW6	2
14*	81303002011	SPACER BUSHING 12X9X6,2	1

162500710

C162500710

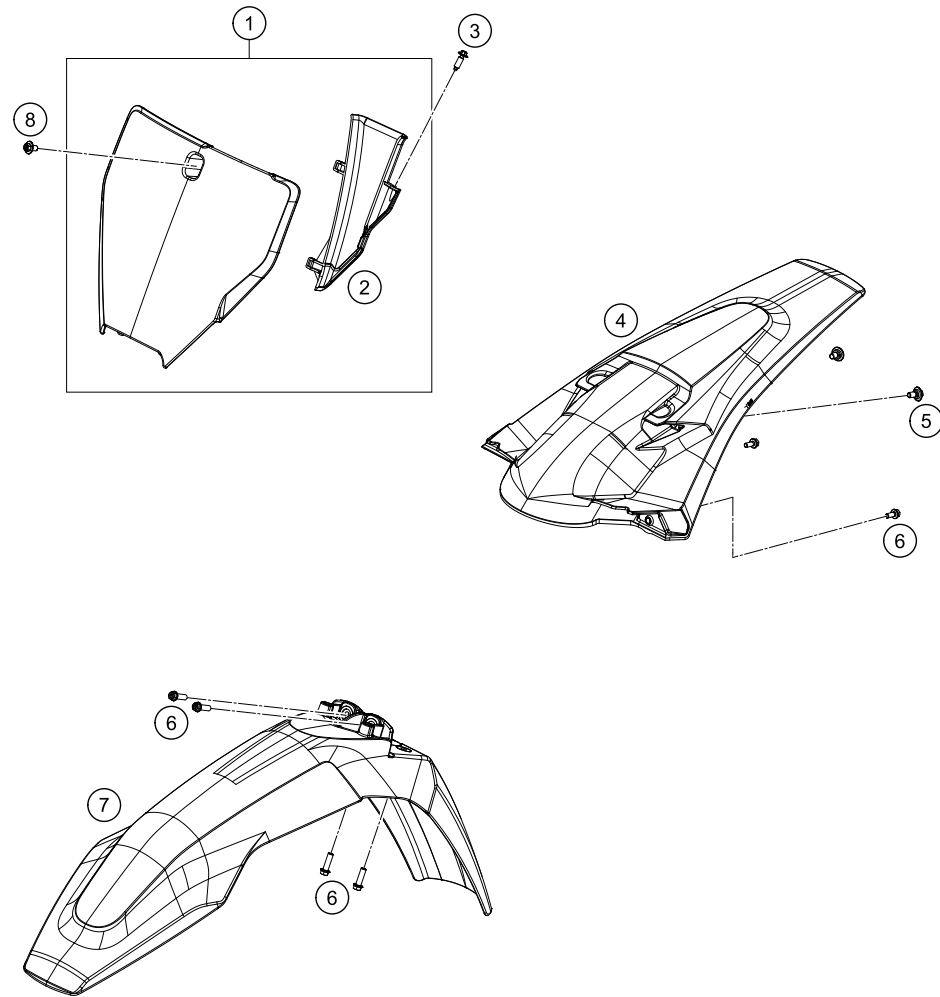
* NEW PART

X ON DEMAND



POS	PARTNUMBER	PARTNAME	PIECE
1	78107089000	GASKET KIT	1
2	81207090000	FILTER KIT	1
3*	77707088000	FUEL PUMP SX	1
4	78107088014	NUT F. FUEL PUMP M12	1
5	78107088017	FUEL CONNECTOR M8	1
7	00050157706	VARIABLE ONE-EAR CLAMP 15,7MM	4
8*	79007017000	FUEL HOSE TANK	1
9	58507012000	O-RING VITON F. PLUG CPC 05	1
10*	79007018000	FUEL HOSE TANK	1
11	5850701050030	CLUTCH CPC BLACK 05	1
12	77707010000	CONNECTOR FUEL PUMP	1
14	78141013190	FUEL FILTER	1
20*	0017060255	EJOT PT SCREW K60X25-Z SW6	4

C157890730 * NEW PART X ON DEMAND



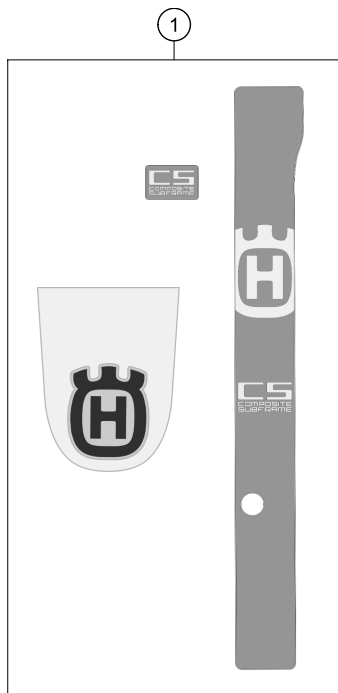
POS	PARTNUMBER	PARTNAME	PIECE
1*	2500800704428	START NUMBER PLATE CPL. HQV	1
2*	2500802200030	BRAKE HOSE GUIDE	1
3	0017060206	SCREW F. PLASTIC K60X20AL SW6	1
4*	25008013000HAA	REAR FENDER BLUE WITH DECAL	1
5*	83008000015	SPECIAL SCREW M6X15X3	2
6*	0025060166	HH COLLAR SCREW M6X16 TX30	6
7*	2500801000028	FRONT FENDER	1
8	0024060106	HH COLLAR SCREW M6X10 TX30	1

162500810

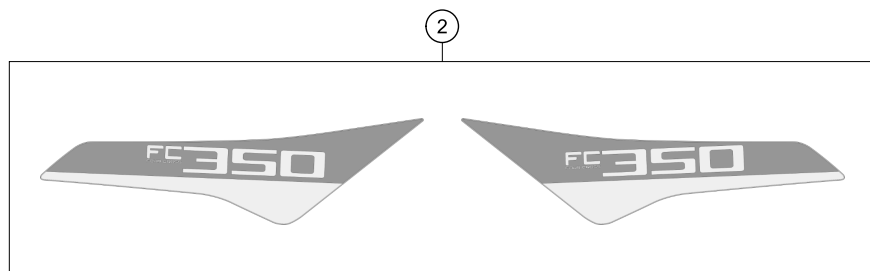
C162500810

* NEW PART

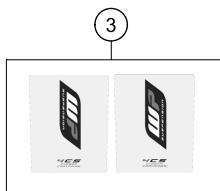
X ON DEMAND



1



2



3

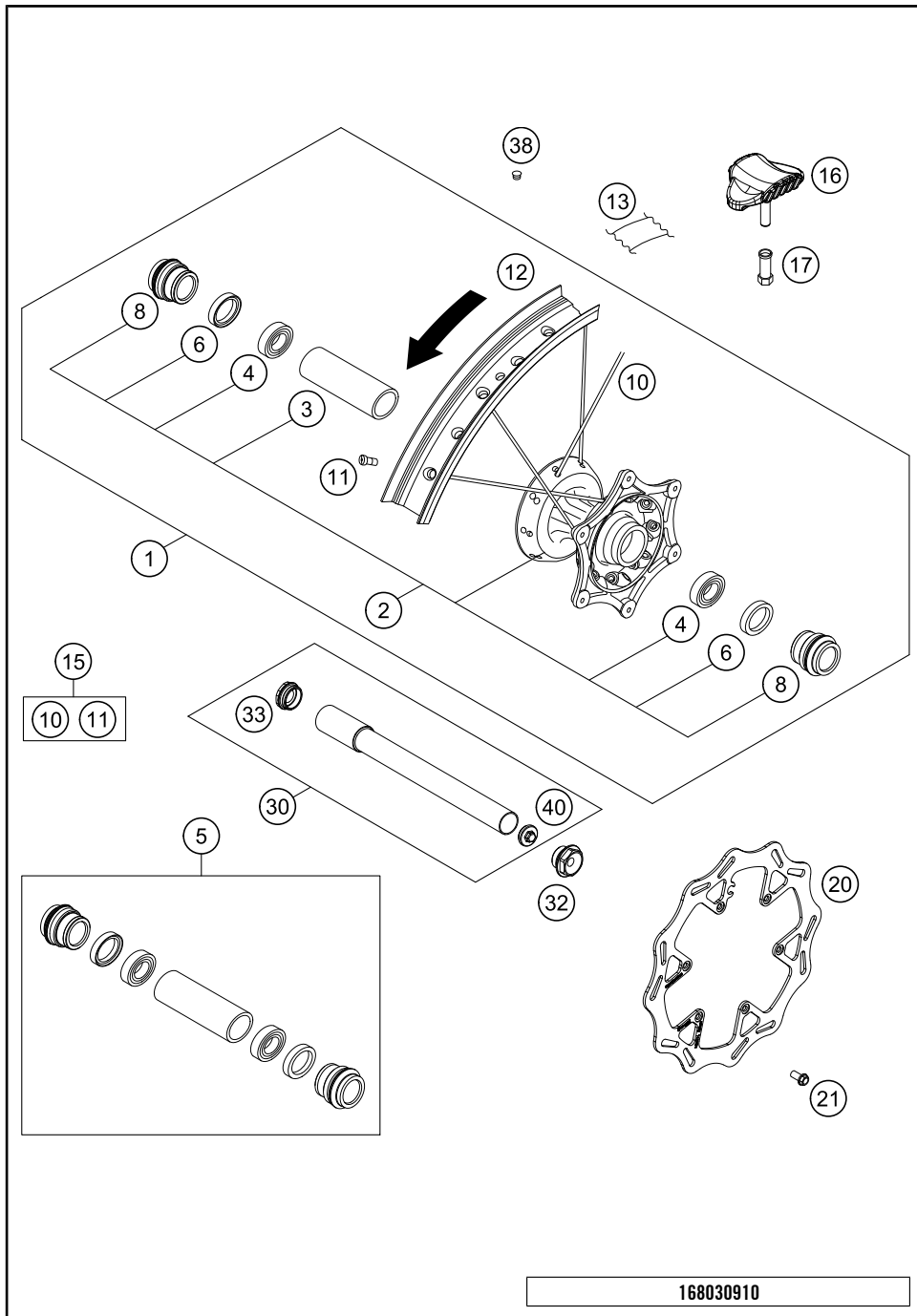
POS	PARTNUMBER	PARTNAME	PIECE
1*	25008099000	DECAL KIT TC/FC/FS 2016	1
2*	25008092200	DISPLACEMENT STICKERS FC 350	1
3	52000115	STICKER FRONT FORK-SET WP"4CS"	1

162550830

C162550830

* NEW PART

X ON DEMAND

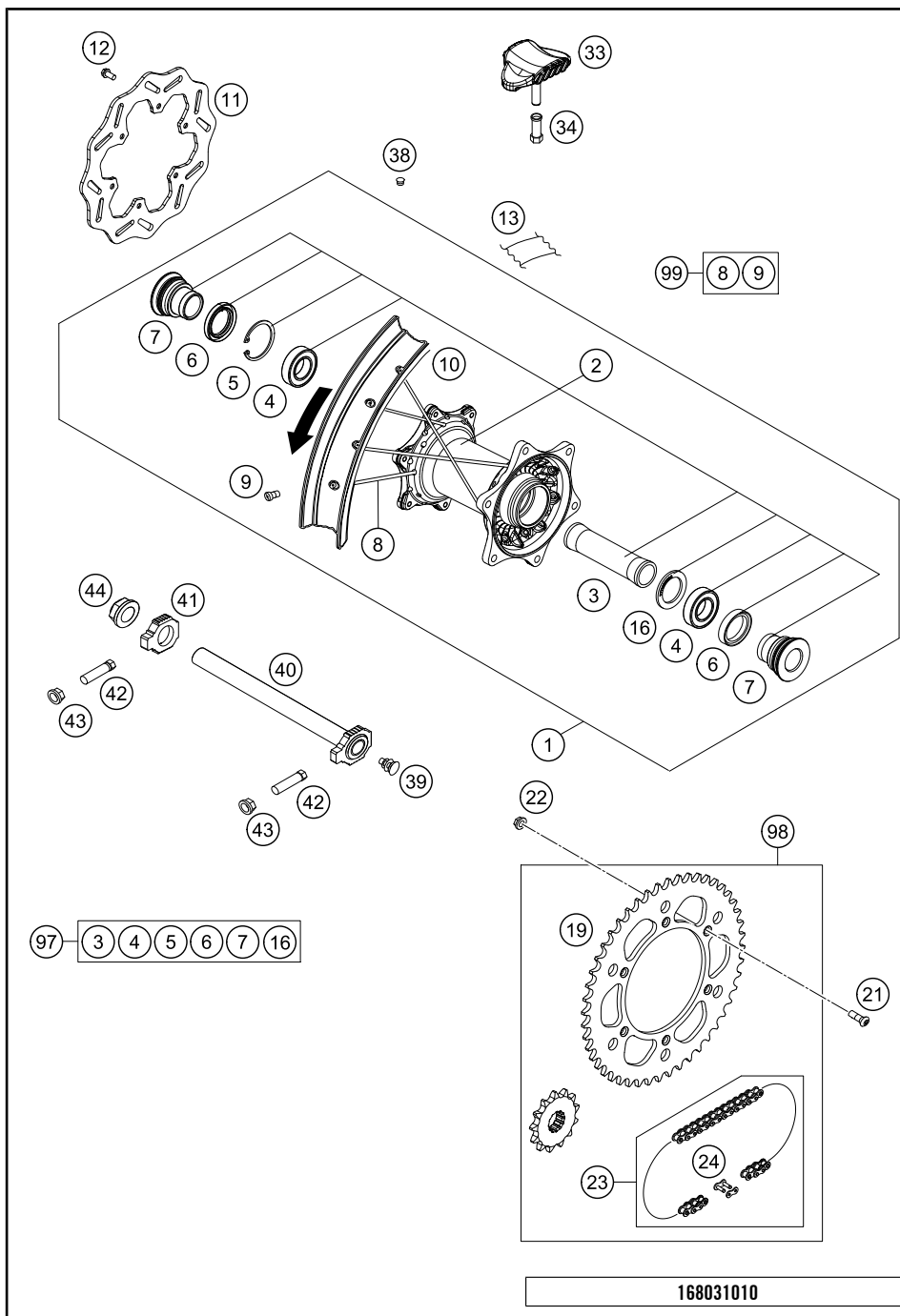


POS	PARTNUMBER	PARTNAME	PIECE
1*	2500900114430	FRONT WHEEL CPL.1,6X21" DID22MM	1
2*	25009010144	FRONT WHEEL HUB CPL.	1
3	54809011000	BEA.SPACERTUBE 35X2 L=79,4 03	1
4	0625069068	GR.BALL BEAR.6906 DDU2CG23S6NM	2
5	77709015000	FRONT WHEEL REP. KIT SX-F USA	1
6	0760354771	SHAFT SEAL RING 35X47X7 TC	2
8	77709012000	SPACER BUSHING F. FR. WHEEL	2
10*	79009071226	SPOKE M4,5X226-21" 16	36
11	77109072000	SPOKE NIPPLE M4,5 AL 11	36
12	8120907010030	RIM FRONT 1,60X21" DID	1
13	50309073000	RIM BAND 21"	1
15	00050000977	SPOKE KIT FRONT	x
16	78109090000	RIM LOCK 1,60"	1
17	77110090050	NUT FOR WHEEL HOLDER	1
20*	25009060000	BRAKE DISC FRONT D=260MM	1
21	59009062013	SPECIAL SCREW M6X13 WS=8 10.9	6
30	77709081033	WHEEL SPIN.FR. CPL. D=22 15	1
32	70009082000	AXLESCREW M20X1.5; SW17	1
33	70009081050	PLUG BUSHING SW17 '12	1
38	55003135000	PLUG FOR RIM	x
40	7770908107055	AUXILIARY SCREW FRONT	1

168030910

C168030910

* NEW PART X ON DEMAND

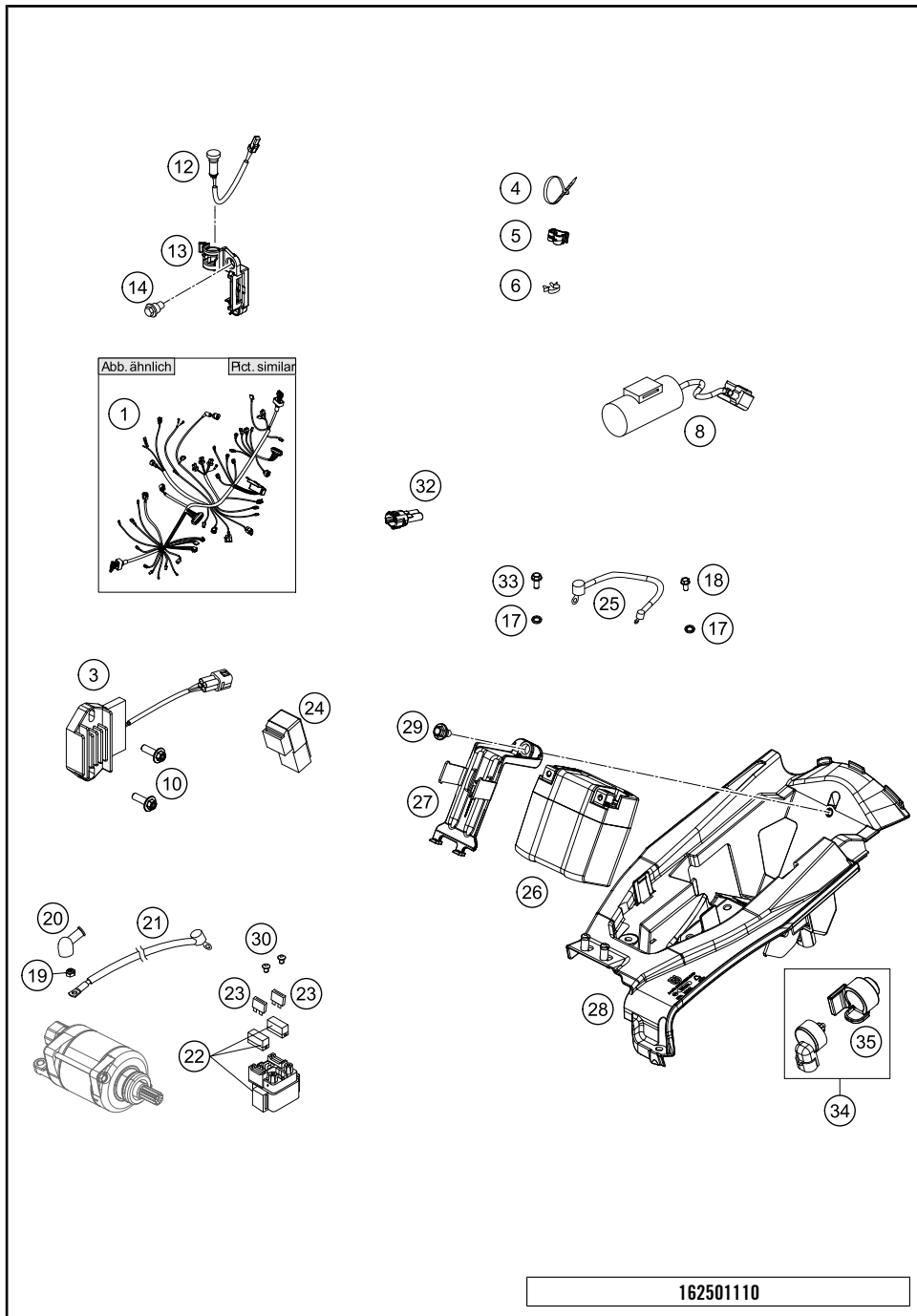


POS	PARTNUMBER	PARTNAME	PIECE
1*	2501000104430	REAR WHEEL CPL.2,15X19" DID 16	1
2*	25010010044	rear hub complete	1
3	77710011000	BEARING DISTANCE TUBE 121,5MM	1
4	0625060058	GR.BALL BEAR.6005 DDU2CG23S6NM	2
5	0472047175	CIRCLIP DIN0472-47X1,75	1
6	0760324771	SHAFT SEAL RING 32X47X7 BSL	2
7*	77710016000	DISTANCE BUSHING REAR WHEEL	2
8*	79010071205	SPOKE M4,5X205-19" 16	36
9	77109072000	SPOKE NIPPLE M4,5 AL 11	36
10*	2501007000030	RIM 2,15X19" DID	1
11*	25010060000	BRAKE DISC REAR D=220MM	1
12	59009062013	SPECIAL SCREW M6X13 WS=8 10.9	6
13	50310073200	RIM BAND 18" AND 19"	1
16	77710015000	DISTANCE RING	1
19	7771015104830	SPROCKET 48-T BLACK	x
19	7771015105030	SPROCKET 50-T BLACK	1
19	7771015105230	SPROCKET 52-T BLACK	x
21	0019080266S	COUNTER-SUNK SCREW ISA45 M8X26	6
22	06923080003	HEXAGON NUT DIN EN1661 M8 SW13	6
23	50310165118	CHAIN 5/8X1/4" MX	1
24	50310166000	CONNECTING LINK F. 50310165118	1
33	78110090000	RIM LOCK 2,15"	1
34	77110090050	NUT FOR WHEEL HOLDER	1
38	55003135000	PLUG FOR RIM	x
39	50210086000	COVERING CAP SFL16	x
40*	77710085044	WHEEL SPINDLE CPL. '13	1
41*	77710084000	CHAIN TENSIONER R/S	1
42	50304040100	SCREW M10X1,25X50 WS=10	2
43	58414030000	HH COLLAR NUT M10X1,25 WS=13	2
44*	61010086000	COLLAR NUT M25X1,5 WS=32 05	1
97	77710015010	REAR WHEEL REP. KIT	x
98	00050002044	DRIVETRAIN KIT HQV 13T/50T	x
98	00050002071	DRIVETRAIN KIT HQV 14T/50T	x
99	00050000979	SPOKE KIT REAR 19"	x

168031010

C162501010

* NEW PART X ON DEMAND

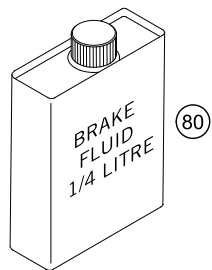
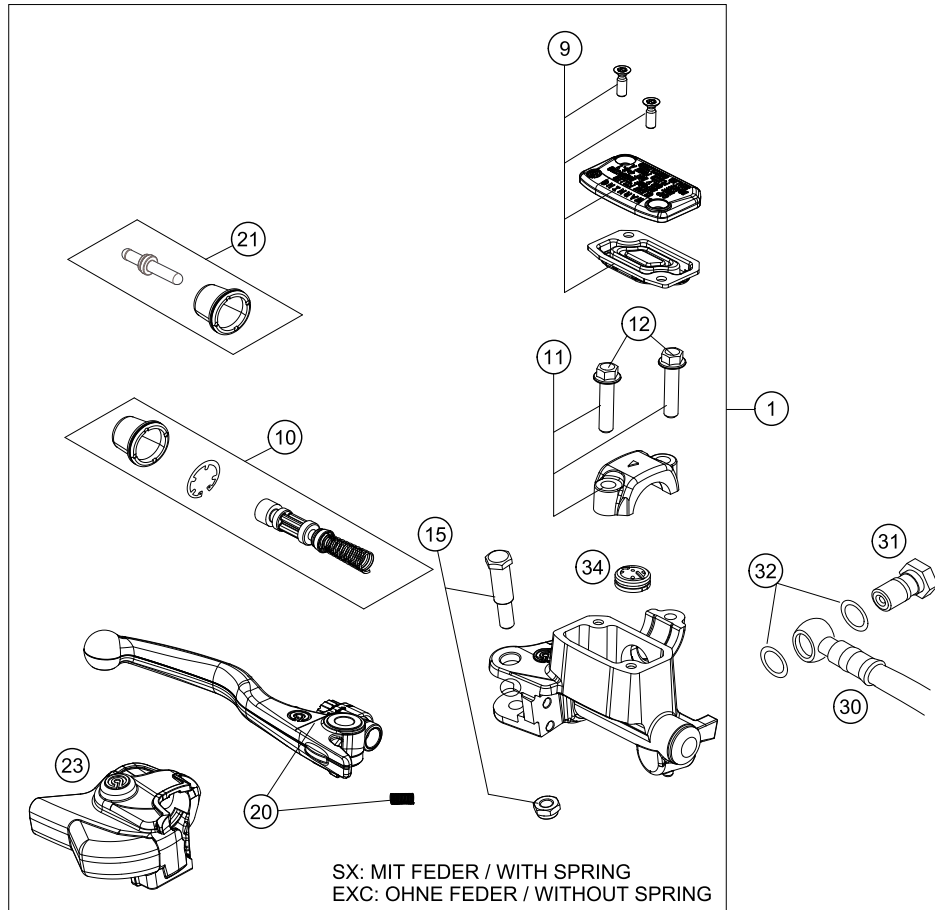


POS	PARTNUMBER	PARTNAME	PIECE
1*	79211075000	WIRING HARNESS	1
3	77211034000	VOLTAGE REGULATOR 09	1
4	44011076140	CABLE TIE 140/2,5MM BLACK	x
4	44011076200	CABLE TIE 200/3,6MM BLACK	x
4	44011076305	CABLE TIE 300/4,8MM BLACK	x
5	83013026000	CABLE GUIDE	2
6*	58111076000	CABLE SUPPORT KHS NR.150-47610	x
8*	79011035000	CONDENSER 2016	1
10*	0024060206	HH COLLAR SCREW M6X20 TX30	2
12	81214083000	INDICATOR LIGHT LED YELLOW FI	1
13	77214098000	HOLDER INDICATOR LIGHT SX	1
14	59001092050	SPECIAL SCREW M6X12,5 WS=8	1
17	58411098100	CONTACT WASHER M6 VSV-K6	3
18	0009050106	EJOT SPIRAL SCREW SF M5X10-K	1
19	0985060003	SELF LOCK. NUT DIN0985-M 6	1
20	77240099000	PROTECTION CAP F. STARTER ENG.	1
21	58411059100	STARTERCABLE 700 MM '97	2
22	58211058000	STARTER RELAY 12V '99	1
23	58011109110	FUSE 10 A 2000	2
24	61111057000	RELAY CM1A-R-12V-H80 07	1
25	58711086000	WIRING HARNESS BATTERY DUKE'99	1
26*	79011053100	BATTERY 12V / 2,2AH	1
27*	79011056000	BATTERY BOX SUPPORT	1
28*	25011055000	BATTERY BOX	1
29*	59001092050	SPECIAL SCREW M6X12,5 WS=8	1
30	0902060083	AH OVAL SCREW ISO 7380 M 6X8	2
32	69011040000	END PLUG CAN-BUS 08	1
33	0025050126	HH COLLAR SCREW M5X12 TX30	2
34*	76511010000	MAP-SELECT-SWITCH	1
35*	76511010050	RUBBER HOLDER F. MAP-SEL-SWIT.	1

162501110

C162501110

* NEW PART X ON DEMAND



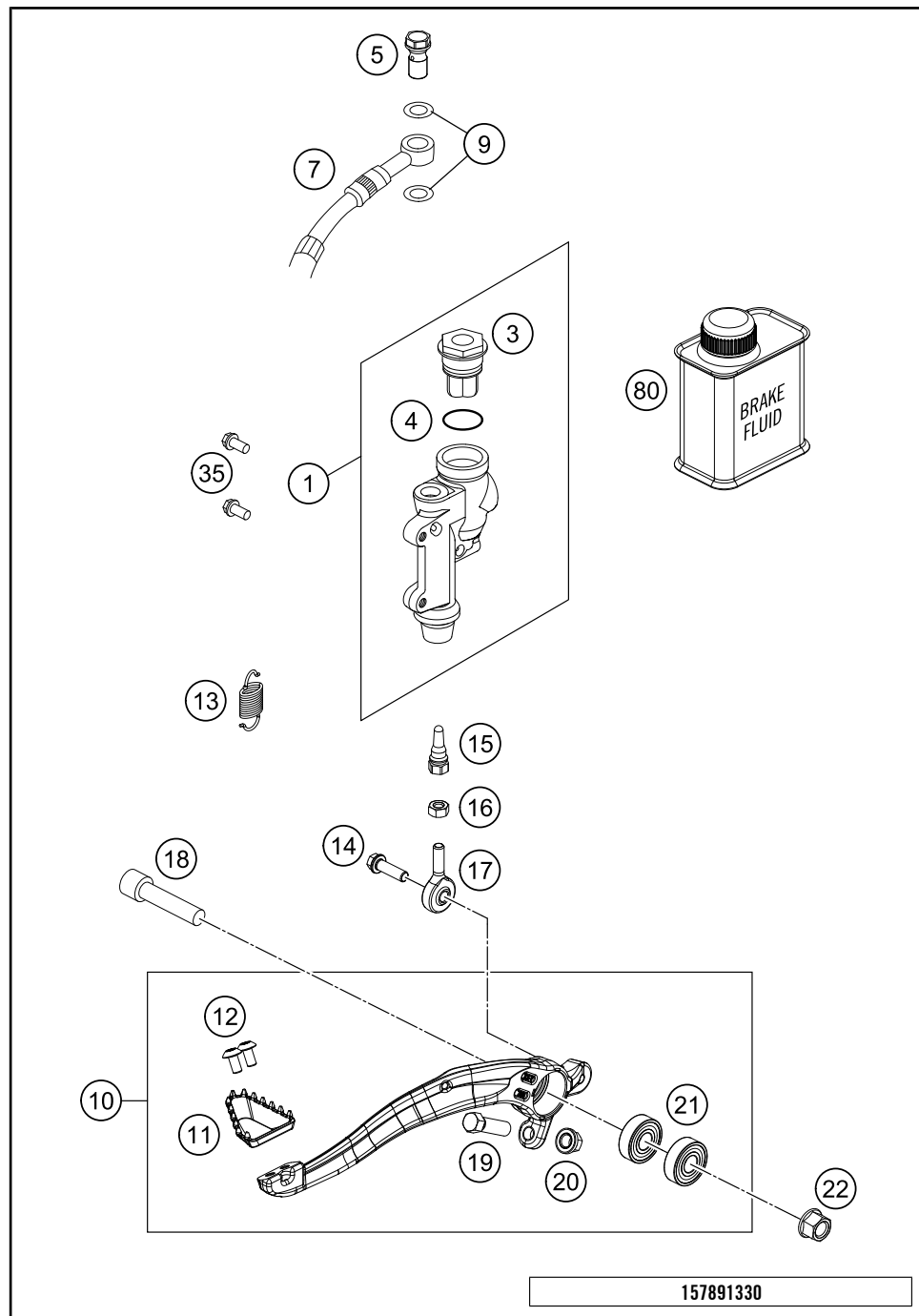
POS	PARTNUMBER	PARTNAME	PIECE
1	77713001044	HAND BREAK CYLIND. CPL. X 2014	1
9	77713003000	HAND BRAKE CYL. COVER	1
10	77713008000	REPAIR KIT PISTON SX 2014	1
11	54802005100	CLAMP CPL. 06	1
12	0025060256	HH COLLAR SCREW M6X25 TX30	2
15	77713006000	LEVER SCREW	1
20	77713002000	HAND BRAKE LEVER +SPRING SX 14 SX WITH SPRING, EXC W/O SPR.	1
21	77713007000	PUSH ROD CPL. SX 2014	1
23	77713004000	PROTECTION CAP HAND BRAKE CYL.	1
30	59013010000	BRAKEHO. FRONT 1235MM 2000	1
31	54813020100	HOLLOW SCREW BLACK M10X1X19	1
32	0603100141	COPPER GASKET DIN7603-10X14X1	2
34	54802051000	VALVE	1
80	00062030000	BRAKE FLUID DOT5.1 0,25L	1

147781310

C148031310

* NEW PART

X ON DEMAND

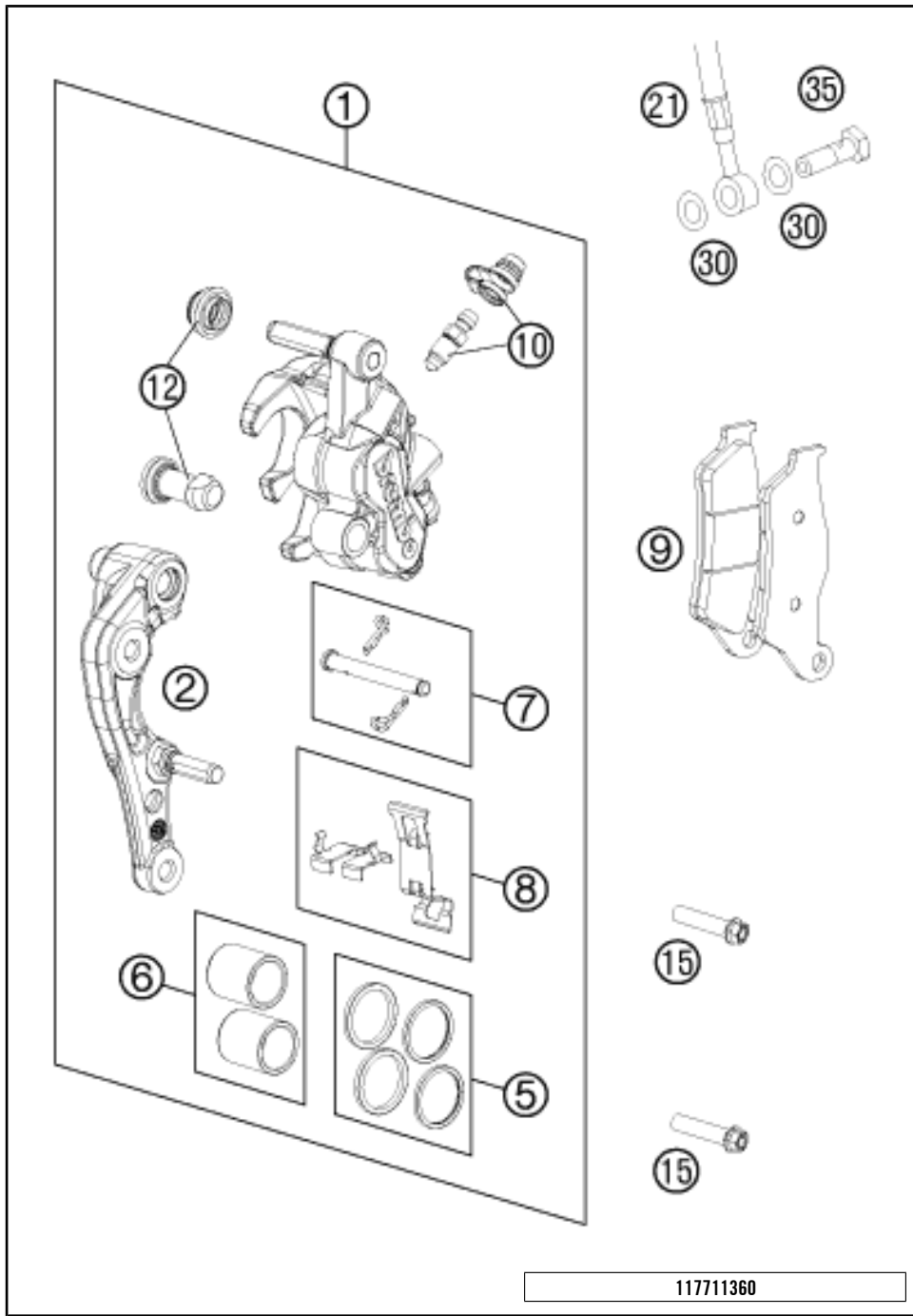


POS	PARTNUMBER	PARTNAME	PIECE
1	77013060044	REAR BRAKE CYLINDER CPL.SX 09	1
3	54813062100	REAR BRAKE CYL. COVER CPL. 04	1
4	54813063000	FOOT-BRAKE CYL. GASKET SX 03	1
5	54813020100	HOLLOW SCREW BLACK M10X1X19	1
7*	77213070100	BRAKE HOSE REAR	1
9	0603100141	COPPER GASKET DIN7603-10X14X1	2
10*	79013050044	FOOT BRAKE LEVER CPL.	1
11*	79413051000	STEP BRAKE LEVER 16	1
12*	78105081010	SCREW TORX M5X10	2
13*	79003062000	RETURN SPRING F. BRAKE LEVER	1
14	0025060206S	HH COLLAR SCREW M6X20 TX30	1
15	54813056000	PUSH ROD L=28MM 03	1
16*	0934060003	HEXAGON NUT DIN0934-M 6	1
17	54813055000	SWIVEL HEAD KA6 03	1
18	0032100406S	AH-COLLAR SCREW M10X40 ISA45	1
19	59001037000	SPECIAL SCREW M8X26 WS=10	1
20	46030045000	COLLAR NUT M8 WS=10	1
21	0625060002	BALL BEARING SKF 6000-2RS1	2
22	54630044000	COLLAR NUT M10 WS=13	1
35	0025060126	HH COLLAR SCREW M6X12 TX30	2
80	00062030000	BRAKE FLUID DOT5.1 0,25L	1

157891330

C167901330

* NEW PART X ON DEMAND

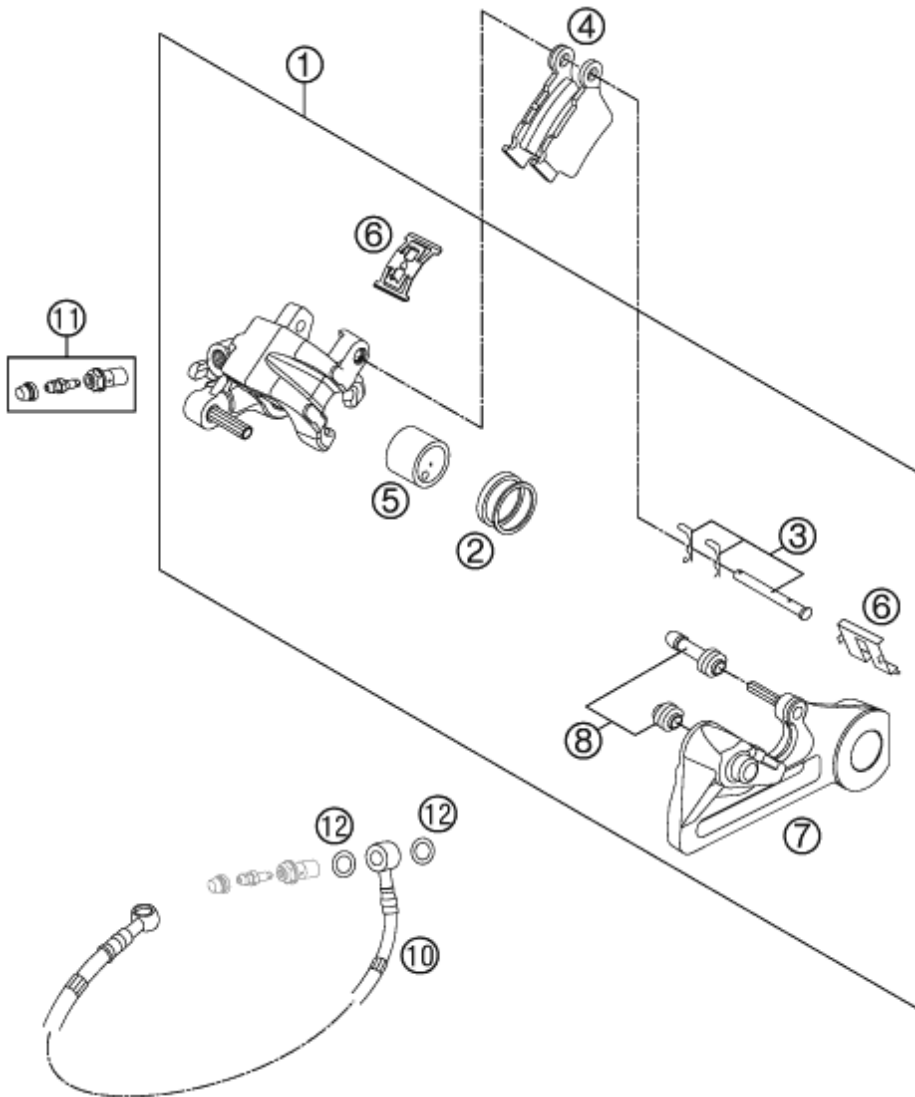


POS	PARTNUMBER	PARTNAME	PIECE
1	7701301500101	CALIPER NAT. WITHOUT PADS	1
2	77013014000	BRAKE CALIPER SUPPORT FRONT 09	1
5	77013021000	REP. KIT SEALS 24MM	1
6	77013019000	REP. KIT PISTON 24MM	1
7	77013017000	BOLT CPL. 09	1
8	77013018000	RETAINING PLATE SET BREMBO	1
9	77713030000	BRAKE PADS FRONT	1
10	61013020100	BLEEDER SCREW WITH CAP	1
12	54613218000	CUP SET SHORT	1
15	0025080306S	HH COLLAR SCREW M8X30 TX40	2
21	59013010000	BRAKEHO. FRONT 1235MM 2000	1
30	0603100141	COPPER GASKET DIN7603-10X14X1	2
35	50213025000	HOLLOW SCREW M10X1X19	1

117711360

C165481361

* NEW PART X ON DEMAND



POS	PARTNUMBER	PARTNAME	PIECE
1*	77713080001	BRAKE CAL. REAR - WITHOUT PADS	1
2	50313081200	REPAIR KIT SEALING RINGS 26MM	1
3	54813082000	BOLT SET FOR BRAKE CALIPER 03	1
4	54813090300	BRAKE PAD SET REAR TOYO	1
5	77713083000	BRAKE PISTON 26MM 2013	1
6	54813018000	RETAINING SPRING SET 2003	1
7*	77713075000	BRAKE CALIPER BRACKET REAR	1
8	54613218000	CUP SET SHORT	1
10*	77213070100	BRAKE HOSE REAR	1
11	62513020000	BLEEDER SCREW CPL. 05	1
12	0603100141	COPPER GASKET DIN7603-10X14X1	2

117711390

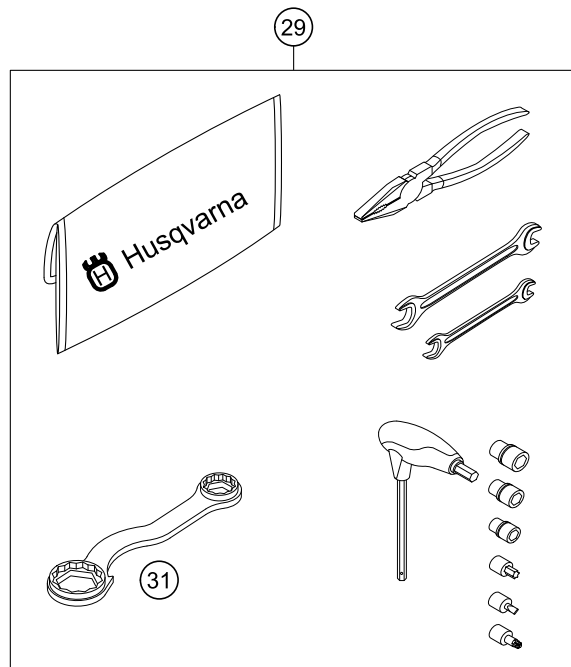
C162501390

* NEW PART

X ON DEMAND

0
OHNE ABBILDUNG
WITHOUT ILLUSTRATION

1
TECHNISCHE DOKUMENTATION
TECHNICAL DOCUMENTATION
DOCUMENTACION TECNICA
DOCUMENTATION TECHNIQUE
NOTE TECNICHE



POS	PARTNUMBER	PARTNAME	PIECE
0	HQV0110	HUSQVARNA BALLPOINT PEN	1
0	80312002000	DOCUMENTS BAG HUSQVARNA	1
0	HQV0120	HUSQVARNA NOTE-PAD	1
0	00063004202	PRINT LABEL 60X51 MM	1
0	79003040033	FOOT PEGS SET CPL. 2016	1
0	80302602144	BAR PAD 2015	1
0	0025050126	HH COLLAR SCREW M5X12 TX30	2
0	58411098100	CONTACT WASHER M6 VSV-K6	2
0	2500207900028	HANDGUARD CPL. LE.+RI. WHITE	1
0	77703020000	PLUG-IN STAND	1
0	79002014100	SETTING 4-T 39,5 MM 16	1
0	2500309400030	FRAME PROTECTION SET BLACK	1
0	52000115	STICKER FRONT FORK-SET WP"4CS"	1
0	00063004012	HEADLIGHT MASK BOX	1
0	81212016100	WASH CAP SET	1
0	77229072000	SPARK PLUG WRENCH	1
0	78141013190	FUEL FILTER	3
1	3402060EN	OWNERS MANUAL 350 FC 2016	1
29	80329899000	TOOL KIT	1
31	50329080100	WRENCH SW=17/21/27/32 B&F	1

148132000

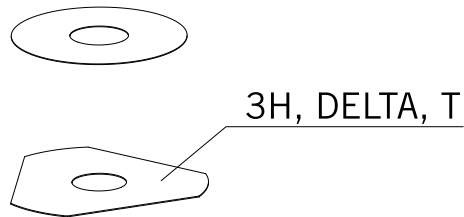
C162552000

* NEW PART

X ON DEMAND



- ⑤ Ø 5 mm
- ⑥ Ø 6 mm
- ⑧ Ø 8 mm
- ⑩ Ø 10 mm
- ⑫ Ø 12 mm
- ⑭ Ø 14-14,5 mm
- ⑯ Ø 16 mm
- ⑳ Ø 20 mm
- ㉑ Ø 21 mm
- ㉒ Ø 22 mm
- ㉓ Ø 23 mm
- ㉔ Ø 24,5 mm
- ㉘ Ø 28,5 mm
- ㉚ Ø 32 mm
- ㉜ Ø 52 mm



POS	PARTNUMBER	PARTNAME	PIECE
5	44906890	WASHER 5X15X2	X
6	40540400	SHIM 6X12X0,1	X
6	40540401	SHIM 6X14X0,1	X
6	40540402	SHIM 6X16X0,1	X
6	40540403	SHIM 6X18X0,1	X
6	40540404	SHIM 6X12X0,15	X
6	40540405	SHIM 6X14X0,15	X
6	40540406	SHIM 6X16X0,15	X
6	40540407	SHIM 6X18X0,15	X
6	40540408	SHIM 6X12X0,2	X
6	40540409	SHIM 6X14X0,2	X
6	40540410	SHIM 6X16X0,2	X
6	40540411	SHIM 6X18X0,2	X
6	48600095	* SHIM 6X20X0,20	X
6	40540412	SHIM 6X12X0,25	X
6	40540413	SHIM 6X14X0,25	X
6	40540414	SHIM 6X16X0,25	X
6	40540415	SHIM 6X18X0,25	X
6	40540417	SHIM 6X8,5X0,10	X
6	40540418	SHIM 6X9X0,10	X
6	40540419	SHIM 6X9,5X0,10	X
6	40540423	SHIM 6X9,5X0,15	X
6	40540425	SHIM 6X8,5X0,20	X
6	40540426	SHIM 6X9X0,20	X
6	40540427	SHIM 6X9,5X0,20	X
6	40540447	SHIM 6X10X0,3	X
6	40540449	SHIM 6X9X0,3	X
6	40540450	SHIM 6X9,5X0,3	X
6	40540494	SHIM 6X18X0,4	X
6	40540774	SHIM 6X18X0,1 DELTA	X
6	40541383	SHIM 6X11X0,1	X
6	40541391	SHIM 6X11X0,3	X
6	40541402	SHIM 6X11X0,2	X
6	40541403	SHIM 6X10X0,20	X
6	40541404	SHIM 6X10X0,1	X
6	40541405	SHIM 6X10X0,15	X
6	40541406	SHIM 6X11X0,15	X
6	40541408	SHIM 6X8,0X0,30	X

080000190

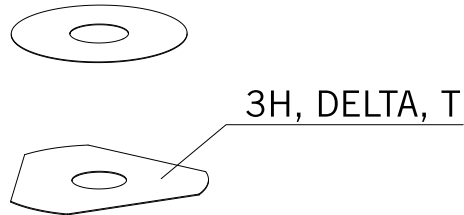
C130009090

* NEW PART

X ON DEMAND



- ⑤ Ø 5 mm
- ⑥ Ø 6 mm
- ⑧ Ø 8 mm
- ⑩ Ø 10 mm
- ⑫ Ø 12 mm
- ⑭ Ø 14-14,5 mm
- ⑯ Ø 16 mm
- ⑳ Ø 20 mm
- ㉑ Ø 21 mm
- ㉒ Ø 22 mm
- ㉓ Ø 23 mm
- ㉔ Ø 24,5 mm
- ㉘ Ø 28,5 mm
- ㉚ Ø 32 mm
- ㉜ Ø 52 mm



POS	PARTNUMBER	PARTNAME	PIECE
6	40541414	SHIM 6X8,0X0,10	X
6	40541416	SHIM 6X8X0,3	X
6	40541417	SHIM 6X11X0,25	X
6	48600102	* SHIM 6X24X0,25	X
6	48600063	SHIM 6X24X0,1	X
6	48600064	SHIM 6X22X0,1	X
6	48600065	SHIM 6X20X0,1	X
6	48600069	SHIM 6X20X0,15	X
6	48600100	SHIM 6X24X0,15	X
6	48600116	SHIM 6X24X0,1 DELTA	X
6	48600139	SHIM 6X22X0,1 DELTA	X
6	48600217	BACKPLATE 6X10X0,25	X
6	48600325	SHIM 6X13X0,1	X
6	48600327	SHIM 6X15X0,1	X
6	48600329	SHIM 6X17X0,1	X
6	48600331	SHIM 6X19X0,1	X
6	48600096	* SHIM 6X20X0,25	X
6	48600097	SHIM 6X22X0,15	X
6	48600099	* SHIM 6X22X0,25	X
6	40540448	BACKPLATE 6X8,5X0,30	X
6	48600479	SHIM 6X20X0,1 T/3H	X
6	48600332	SHIM 6X21X0,1	X
6	48600333	SHIM 6X23X0,1	X
6	40541393	* SHIM 6X12X0,3	X
6	48600330	SHIM 6X17X0,15	X
6	48600988	SHIM 6X28X0,10	X
6	48600989	SHIM 6X26X0,10	X
6	48601091	SHIM 6X28X0,15	X
6	48601093	SHIM 6X26X0,15	X
6	48600328	SHIM 6X15X0,15	X
6	48600326	SHIM 6X13X0,15	X
6	48601548	SHIM 6X17X1,5	X
8	40540477	SHIM 8X18X0,4	X
8	43570120	SHIM 8X18X0,10	X
8	44916098	WASHER 8,4X16X0,8	X
8	44916130	WASHER 8,2X15X1	X
8	44916180	WASHER 8,2X11X1	X
8	48600214	SHIM 8X16X0,1	X

080000190

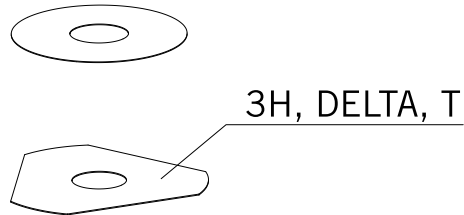
C130009090

* NEW PART

X ON DEMAND



- ⑤ Ø 5 mm
- ⑥ Ø 6 mm
- ⑧ Ø 8 mm
- ⑩ Ø 10 mm
- ⑫ Ø 12 mm
- ⑭ Ø 14-14,5 mm
- ⑯ Ø 16 mm
- ⑳ Ø 20 mm
- ㉑ Ø 21 mm
- ㉒ Ø 22 mm
- ㉓ Ø 23 mm
- ㉔ Ø 24,5 mm
- ㉘ Ø 28,5 mm
- ㉚ Ø 32 mm
- ㉜ Ø 52 mm



POS	PARTNUMBER	PARTNAME	PIECE
8	48600385	SHIM 8x14x0.25	X
8	48600346	SHIM 8X11X0,2	X
8	48600215	CHECK VALVE 8X20X0,1	X
8	48600485	SHIM 8X10X0,10	X
8	48601402	SHIM 8X13X0,10	X
8	48600350	CHECK VALVE 8X16X0,15	X
8	48600061	CHECK VALVE 8X24X0,4	X
8	48600062	CHECK VALVE 8X24X0,1	X
8	48600216	CHECK VALVE 8X22X0,1	X
8	48600480	SHIM 8X10X0,20	X
8	48600555	SHIM 8X16X0,20	X
8	48600213	SHIM 8X14X0,10	X
8	48600357	CHECK VALVE 8X11X0,1	X
8	48600351	CHECK VALVE 8X12X0,1	X
8	48600607	SHUTTLE VALVE 8X20X0,4	X
8	48601095	SHIM 8X17X0,10	X
8	48600352	CHECK VALVE 8X11X0,4	X
10	36120284	SHIM 10X16X0,10	X
10	36120298	SHIM 10X16X0,2	X
10	36120312	SHIM 10X16X0,30	X
10	36120314	SHIM 10X18X0,30	X
10	36120325	SHIM 10X19X0,15	X
10	36120327	SHIM 10X23X0,15	X
10	36120328	SHIM 10X25X0,15	X
10	36120329	SHIM 10X27X0,15	X
10	36120330	SHIM 10X29X0,15	X
10	36120331	SHIM 10X31X0,15	X
10	36120332	SHIM 10X33X0,15	X
10	36120334	SHIM 10X21X0,20	X
10	36120335	SHIM 10X23X0,20	X
10	36120336	SHIM 10X25X0,20	X
10	36120337	SHIM 10X27X0,20	X
10	36120338	SHIM 10X29X0,20	X
10	36120339	SHIM 10X31X0,20	X
10	36120340	SHIM 10X33X0,20	X
10	36120342	SHIM 10X21X0,25	X
10	36120343	SHIM 10X23X0,25	X
10	36120344	SHIM 10X25X0,25	X

080000190

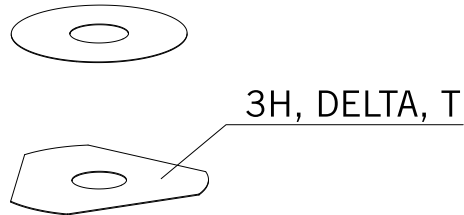
C130009090

* NEW PART

X ON DEMAND



- ⑤ Ø 5 mm
- ⑥ Ø 6 mm
- ⑧ Ø 8 mm
- ⑩ Ø 10 mm
- ⑫ Ø 12 mm
- ⑭ Ø 14-14,5 mm
- ⑯ Ø 16 mm
- ⑳ Ø 20 mm
- ㉑ Ø 21 mm
- ㉒ Ø 22 mm
- ㉓ Ø 23 mm
- ㉔ Ø 24,5 mm
- ㉘ Ø 28,5 mm
- ㉚ Ø 32 mm
- ㉜ Ø 52 mm



POS	PARTNUMBER	PARTNAME	PIECE
10	36120345	SHIM 10X27X0,25	X
10	36120349	SHIM 10X19X0,30	X
10	36120350	SHIM 10X21X0,30	X
10	40140275	WASHER 10X35X0,15	X
10	36120346	* SHIM 10X29X0,25	X
10	50180010	* SHIM 16X24X0,10	X
10	36120604	SHIM D10XD22X2,5	X
12	46810490	SHIM 12X24X0,20	X
12	46810491	SHIM 12X26X0,20	X
12	46810492	SHIM 12X28X0,20	X
12	46810493	SHIM 12X30X0,20	X
12	46810494	SHIM 12X32X0,20	X
12	46810495	SHIM 12X34X0,20	X
12	46810496	SHIM 12X36X0,20	X
12	46810497	SHIM 12X38X0,20	X
12	46810498	SHIM 12X40X0,20	X
12	46810499	SHIM 12X24X0,25	X
12	46810500	SHIM 12X26X0,25	X
12	46810501	SHIM 12X28X0,25	X
12	46810502	SHIM 12X30X0,25	X
12	46810504	SHIM 12X34X0,25	X
12	46810505	SHIM 12X36X0,25	X
12	46810507	SHIM 12X40X0,25	X
12	46810508	SHIM 12X24X0,30	X
12	46810509	SHIM 12X26X0,30	X
12	46810510	SHIM 12X28X0,30	X
12	46810512	SHIM 12X32X0,30	X
12	46810513	SHIM 12X34X0,30	X
12	46810518	SHIM 12X26X0,15	X
12	46810519	SHIM 12X28X0,15	X
12	46810520	SHIM 12X30X0,15	X
12	46810521	SHIM 12X32X0,15	X
12	46810522	SHIM 12X34X0,15	X
12	46810523	SHIM 12X36X0,15	X
12	46810524	SHIM 12X38X0,15	X
12	46810525	SHIM 12X40X0,15	X
12	46810604	SHIM 12X20X0,10	X
12	46810606	SHIM 12X22X0,10	X

080000190

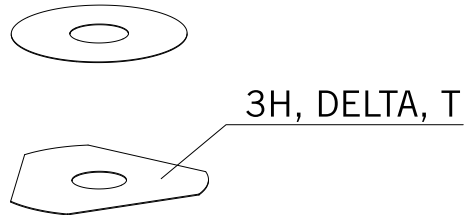
C130009090

* NEW PART

X ON DEMAND



- ⑤ Ø 5 mm
- ⑥ Ø 6 mm
- ⑧ Ø 8 mm
- ⑩ Ø 10 mm
- ⑫ Ø 12 mm
- ⑭ Ø 14-14,5 mm
- ⑯ Ø 16 mm
- ⑳ Ø 20 mm
- ㉑ Ø 21 mm
- ㉒ Ø 22 mm
- ㉓ Ø 23 mm
- ㉔ Ø 24,5 mm
- ㉘ Ø 28,5 mm
- ㉚ Ø 32 mm
- ㉜ Ø 52 mm



POS	PARTNUMBER	PARTNAME	PIECE
12	46810607	SHIM 12X23X0,10	X
12	46810608	SHIM 12X24X0,10	X
12	46810610	SHIM 12X27X0,15	X
12	46810611	SHIM 12X18X0,15	X
12	46810612	SHIM 12X19X0,15	X
12	46810615	SHIM 12X22X0,15	X
12	46810636	BACKPLATE 12X16X0,30	X
12	46810637	BACKPLATE 12X17X0,30	X
12	46810638	BACKPLATE 12X18X0,30	X
12	46810639	SHIM 12X19X0,30	X
12	46810641	BACKPLATE 12X21X0,30	X
12	46811582	BACKPLATE 12X30X0,10	X
12	46810631	SHIM 12X20X0,25	X
12	46810633	SHIM 12X22X0,25	X
12	46811580	SHIM 12X32X0,10	X
12	46810503	SHIM 12X32X0,25	X
12	46810517	* SHIM 12X24X0,15	X
12	46810640	SHIM 12X20X0,30	X
12	46811258	RING 12X24X2,5	X
12	46812018	SHIM 12X42X0,25	X
12	46812015	SHIM 12X44X0,20	X
14	46811046	SHIM 14,5X35,4X1,25	X
16	50180023	* SHIM 16X23X0,20	X
16	50180030	SHIM	X
16	50180006	BACKPLATE 16X20X0,10	X
16	50180007	SHIM 16X21X0,10	X
16	50180028	SHIM 16X21X0,25	X
16	50180210	WASHER 16X21X1	X
16	50180008	SHIM 16X22X0,10	X
16	50180022	SHIM 16X22X0,20	X
16	50180037	SHIM 16X23X0,30	X
16	50180038	SHIM 16X24X0,30	X
16	50180032	SHIM 15X25X0,25	X
16	50180039	SHIM 16X25X0,30	X
16	50180012	SHIM 16X26X0,10	X
16	50180019	SHIM 16X26X0,15	X
16	50180026	SHIM 16X26X0,20	X
16	50180040	SHIM 16X26X0,30	X

080000190

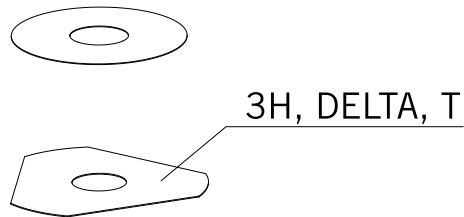
C130009090

* NEW PART

X ON DEMAND



- ⑤ Ø 5 mm
- ⑥ Ø 6 mm
- ⑧ Ø 8 mm
- ⑩ Ø 10 mm
- ⑫ Ø 12 mm
- ⑭ Ø 14-14,5 mm
- ⑯ Ø 16 mm
- ⑳ Ø 20 mm
- ㉑ Ø 21 mm
- ㉒ Ø 22 mm
- ㉓ Ø 23 mm
- ㉔ Ø 24,5 mm
- ㉘ Ø 28,5 mm
- ㉚ Ø 32 mm
- ㉜ Ø 52 mm



POS	PARTNUMBER	PARTNAME	PIECE
16	50180041	SHIM 16X28X0,10	X
16	50180045	SHIM 16X28X0,15	X
16	50180054	SHIM 16X28X0,20	X
16	50180063	SHIM 16X28X0,25	X
16	50180072	SHIM 16X28X0,30	X
16	50180046	SHIM 16X30X0,15	X
16	50180055	SHIM 16X30X0,20	X
16	50180064	SHIM 16X30X0,25	X
16	50180073	SHIM 16X30X0,30	X
16	50180047	SHIM 16X32X0,15	X
16	50180056	SHIM 16X32X0,20	X
16	50180065	SHIM 16X32X0,25	X
16	50180074	SHIM 16X32X0,30	X
16	50180044	SHIM 16X34X0,10	X
16	50180048	SHIM 16X34X0,15	X
16	50180057	SHIM 16X34X0,20	X
16	50180066	SHIM 16X34X0,25	X
16	50180075	SHIM 16X34X0,30	X
16	50180049	SHIM 16X36X0,15	X
16	50180058	SHIM 16X36X0,20	X
16	50180067	SHIM 16X36X0,25	X
16	50180076	SHIM 16X36X0,30	X
16	50180050	SHIM 16X38X0,15	X
16	50180059	SHIM 16X38X0,20	X
16	50180068	SHIM 16X38X0,25	X
16	50180077	SHIM 16X38X0,30	X
16	50180051	SHIM 16X40X0,15	X
16	50180060	SHIM 16X40X0,20	X
16	50180069	SHIM 16X40X0,25	X
16	50180078	SHIM 16X40X0,30	X
16	50180052	SHIM 16X42X0,15	X
16	50180061	SHIM 16X42X0,20	X
16	50180070	SHIM 16X42X0,25	X
16	50180079	SHIM 16X42X0,30	X
16	50180053	SHIM 16X44X0,15	X
16	50180062	SHIM 16X44X0,20	X
16	50180071	SHIM 16X44X0,25	X
16	50180080	SHIM 16X44X0,30	X

080000190

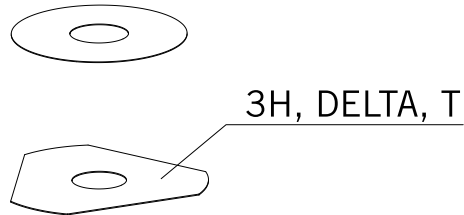
C130009090

* NEW PART

X ON DEMAND



- ⑤ Ø 5 mm
- ⑥ Ø 6 mm
- ⑧ Ø 8 mm
- ⑩ Ø 10 mm
- ⑫ Ø 12 mm
- ⑭ Ø 14-14,5 mm
- ⑯ Ø 16 mm
- ⑳ Ø 20 mm
- ㉑ Ø 21 mm
- ㉒ Ø 22 mm
- ㉓ Ø 23 mm
- ㉔ Ø 24,5 mm
- ㉘ Ø 28,5 mm
- ㉚ Ø 32 mm
- ㉜ Ø 52 mm



POS	PARTNUMBER	PARTNAME	PIECE
16	50180177	WASHER 16X8,2X0,6	X
16	50180033	SHIM 16X26X0,25	X
16	50180034	BACKPLATE 16X20X0,30	X
16	50180035	BACKPLATE 16X21X0,30	X
16	50180036	BACKPLATE 16X22X0,30	X
16	50180043	SHIM	X
16	50180024	* SHIM 16X24X0,20	X
16	50180027	* SHIM 16X20X0,25	X
16	50180031	SHIM	X
16	50180029	SHIM	X
20	48600212	PRESSURE-RING 20X16,25X0,20	X
20	50180666	SHIM 20X24X0,30	X
20	50180654	SHIM 20X36X0,20	X
20	50180655	SHIM 20X38X0,20	X
20	50180656	SHIM 20X40X0,20	X
20	50180665	SHIM 20X40X0,25	X
20	50180662	SHIM 20X34X0,25	X
20	50180657	SHIM 20X24X0,25	X
20	50180653	SHIM 20X34X0,20	X
20	50180634	RING 20X22,9X1	X
20	50180650	SHIM 20,2X28X0,20	X
20	50180663	SHIM 20X36X0,25	X
20	50180664	SHIM 20X38X0,25	X
20	50180659	SHIM 20,2X28X0,25	X
21	50180209	WASHER 21X36X0,25	X
22	50180330	* PRESS. RING 22X18X0,30	X
23	50180635	SHUTTLE VALVE 23X38X0,25	X
23	50180578	SHIM D23XD16X2	X
24	40541061	WASHER 24,5X34X2	X
28	36120469	SHIM 28,5X14X2	X
28	36120471	SHIM 28,5X14X5	X
32	48600460	WASHER 32X42X2,5	X
32	50600065	SHIM 32X45X2	X
32	46811637	PRESSURE RING 36X32,25	X
52	50600002	SHIM 52X59X2,2	X

080000190

C130009090

* NEW PART

X ON DEMAND



3CFF2201P1EN



Husqvarna Motorcycles GmbH
Stallhofnerstraße 3 | 5230 Mattighofen | Austria
www.husqvarna-motorcycles.com

