

SPAREPARTSCATALOG

CHASSIS

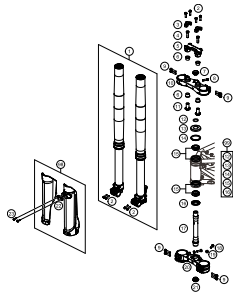
ART.-NR.: F2603Q3EN

701 SUPERMOTO 2017



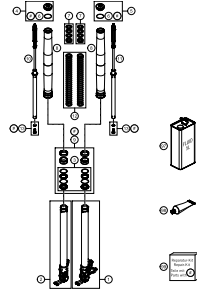
Husqvarna[®]
MOTORCYCLES

FRONT FORK, TRIPLE CLAMP



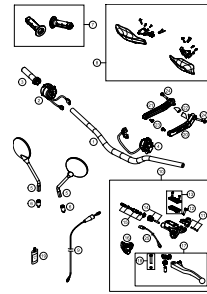
4

FRONT FORK DISASSEMBLED



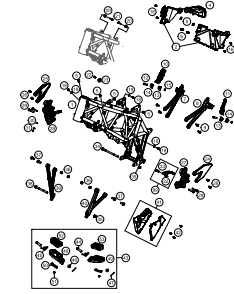
5

HANDLEBAR, CONTROLS



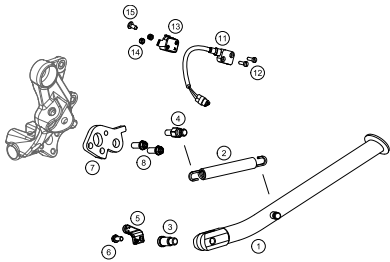
6

FRAME



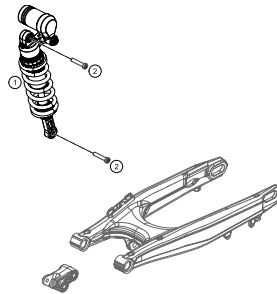
7

SIDE / CENTER STAND



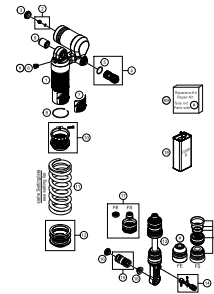
9

SHOCK ABSORBER



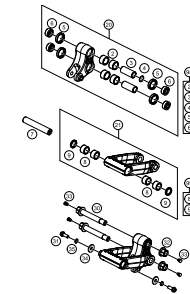
10

SHOCK ABSORBER DISASSEMBLED



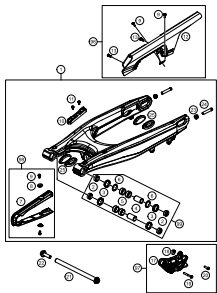
11

PRO LEVER LINKING



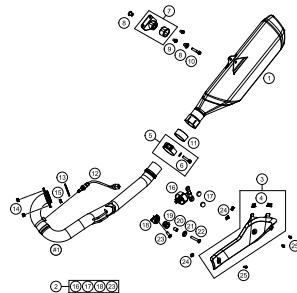
12

SWING ARM



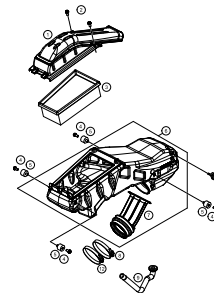
13

EXHAUST SYSTEM



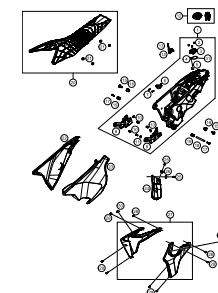
14

AIR FILTER



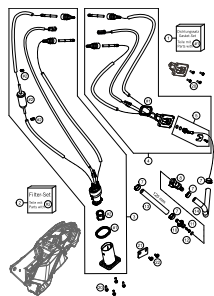
15

TANK, SEAT, COVER



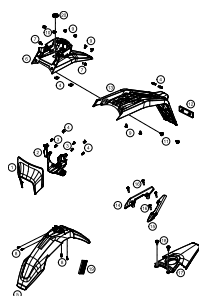
16

FUEL PUMP



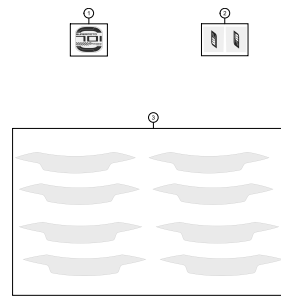
17

MASK, FENDERS



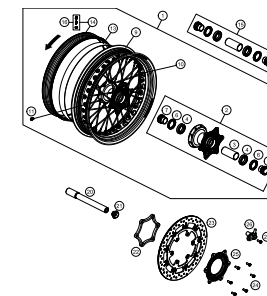
18

DECAL



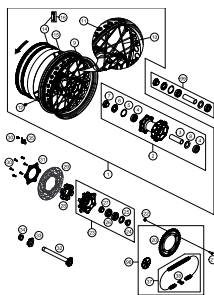
19

FRONT WHEEL



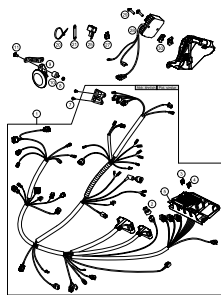
20

REAR WHEEL



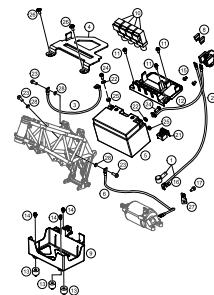
21

WIRING HARNESS



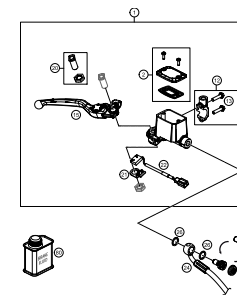
22

BATTERY



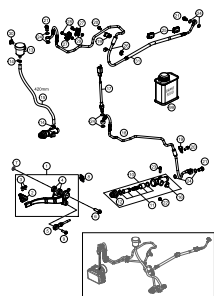
23

HAND BRAKE CYLINDER



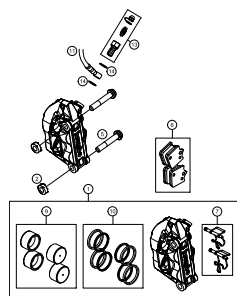
24

REAR BRAKE CONTROL



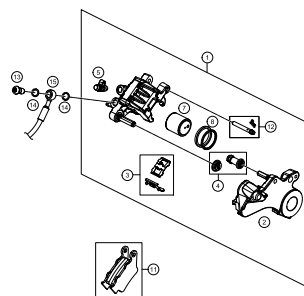
25

BRAKE CALIPER FRONT



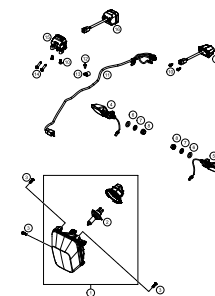
26

BRAKE CALIPER REAR



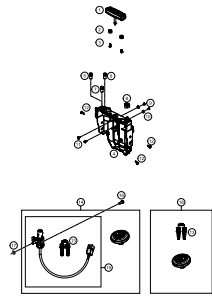
27

LIGHTING SYSTEM



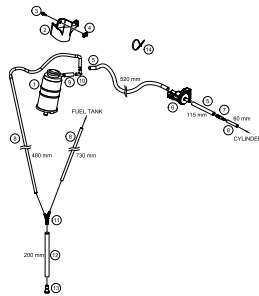
28

INSTRUMENTS / LOCK SYSTEM



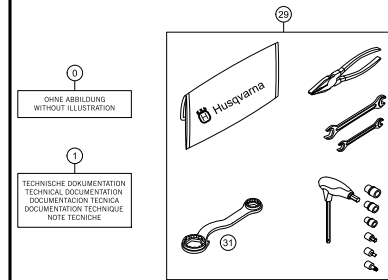
29

EVAPORATIVE CANISTER



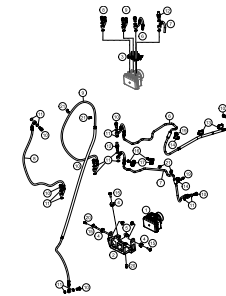
30

SEPERATE ENCLOSURE



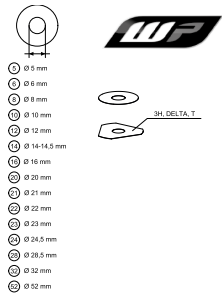
31

ANTIBLOCK SYSTEM ABS



32

WP SHIMS FOR SETTING

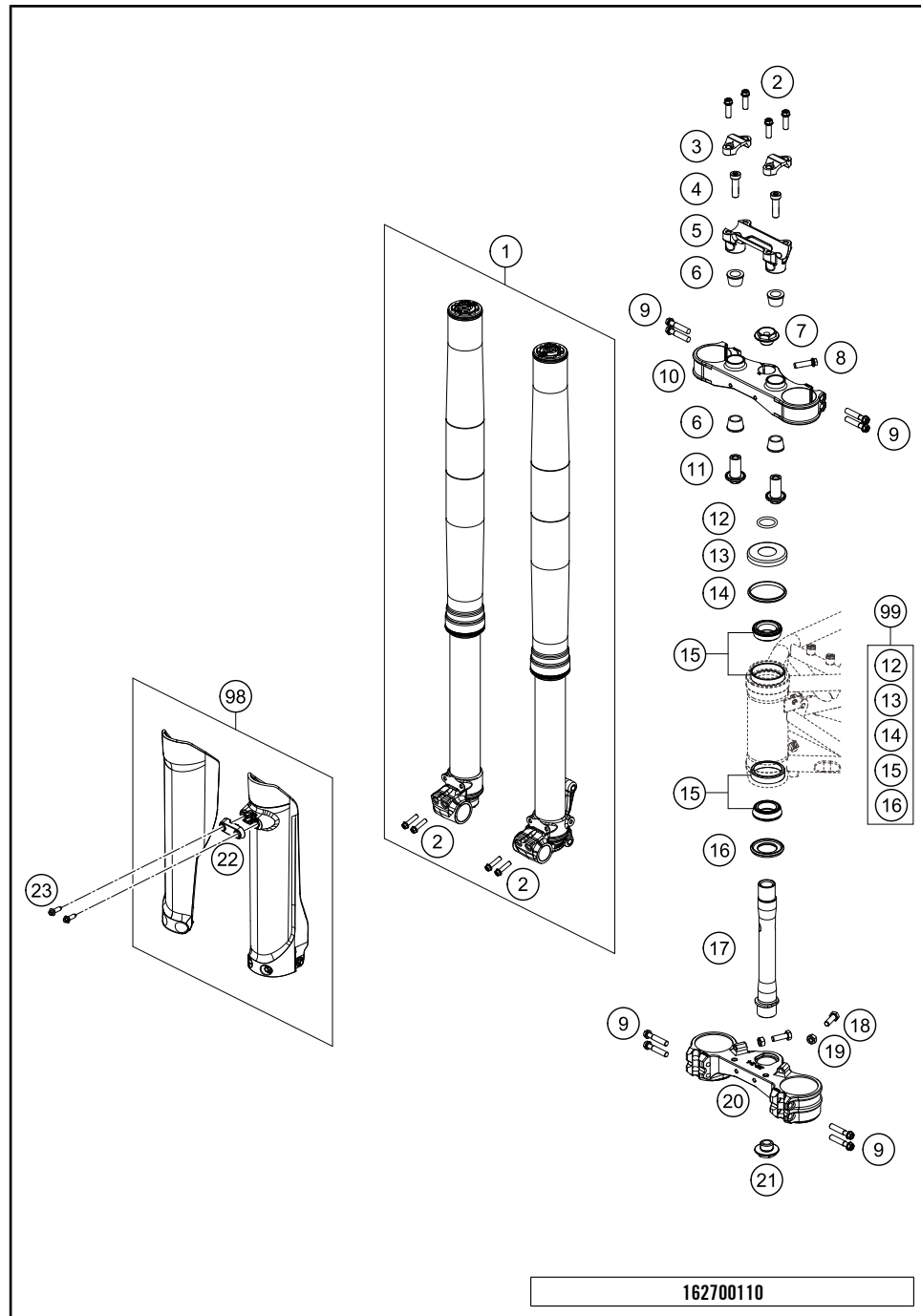


33



All information contained is without obligation. HUSQVARNA MOTORCYCLES GmbH particularly reserves the right to modify any equipment, technical specifications, prices, colors, shapes, materials, services, service work, constructions, equipment and the like so as to adapt them to local conditions or to cancel any of the above items, all without previous announcement and without giving reasons. KTM may stop manufacturing certain models without previous notice. HUSQVARNA MOTORCYCLES shall not be held liable for any deviations of availability and/or ability to deliver, illustrations, descriptions, printing and/or other errors. The illustrated models partly contain extra equipment, which is not applied to standard models.

© by HUSQVARNA MOTORCYCLES GmbH, Mattighofen AUSTRIA; All rights reserved; Reprint, also in extracts, with written allowance of HUSQVARNA MOTORCYCLES GmbH, Mattighofen only.



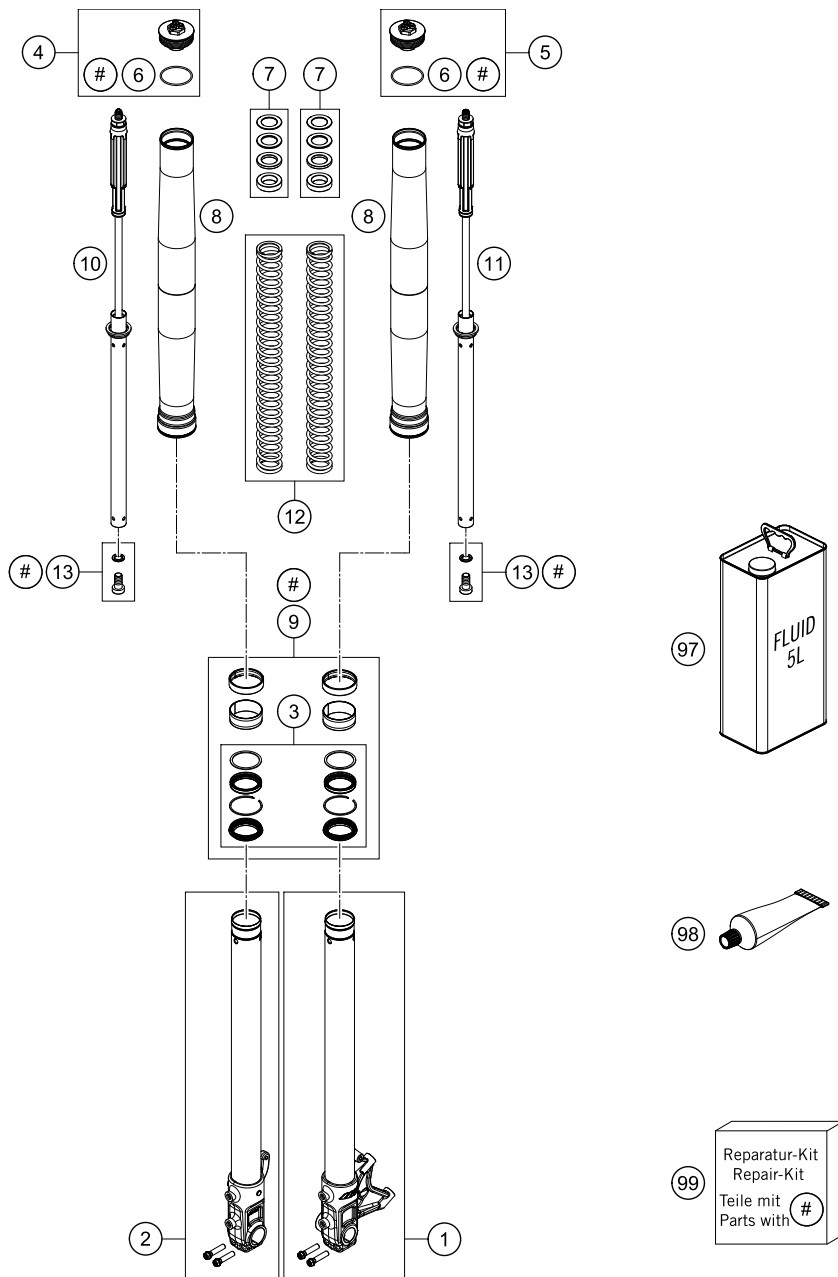
POS	PARTNUMBER	PARTNAME	PIECE
1	14158Q1201	Fork FS 701 WP SMC	1
2	0025080256	HH COLLAR SCREW M8X25 TX40	8
3	77201038000	HANDLEBAR CLAMP 28MM	2
4	0032100356S	AH-COLLAR SCREW M10X35 ISA45	2
5	79001139036	HANDLEBAR SUPPORT D28MM-H36MM	1
6	83001040000	RUBBER BUSH	4
7	54801036000	STEER.HEAD SCREW M20X1,5 WS=27	1
8	0015080256S	HH COLLAR SCREW M8X25 WS=10	1
9	0025080406	HH COLLAR SCREW M8X40 TX40	8
10	2700103423430	UPPER TRIPLECLAMP 33-35 OFFSET	1
11	79001037034	HANDLEBAR SUPPORT LOWER PART	2
12	0770025035	O-RING 25X3,55 NBR70 05	1
13	78101086000	STEERING HEAD COVER	1
14	54601184000	STEERING HEAD GASKET TOP	1
15	54201081100	TAPERED ROLLER BEARING CPL. 06	2
16	77701084000	O-RING SUPPORT W. SEALING LIP	1
17	76501033000	FORK TUBE L=237MM 08	1
18	0933080253	HH SCREW DIN0933-M 8X25	2
19	0934080003	HEXAGON NUT DIN0934-M 8	2
20	2700103113430	LOW. TRIPLE-CLAMP 33-35 OFFSET	1
21	54801036100	STE.HEAD SCR. M20X1,5 WS=27 SL	1
22	2700108500028	CLAMP FOR SPEEDO CABLE	1
23	0017060206	SCREW F. PLASTIC K60X20AL SW6	2
98	2700109400028A	FORK PROTECTOR CPL. 701 SM 16 WITH DECAL	1
99	00050000930	STEERING HEAD REP. KIT 06-15	x

162700110

18495

* NEW PART

X ON DEMAND



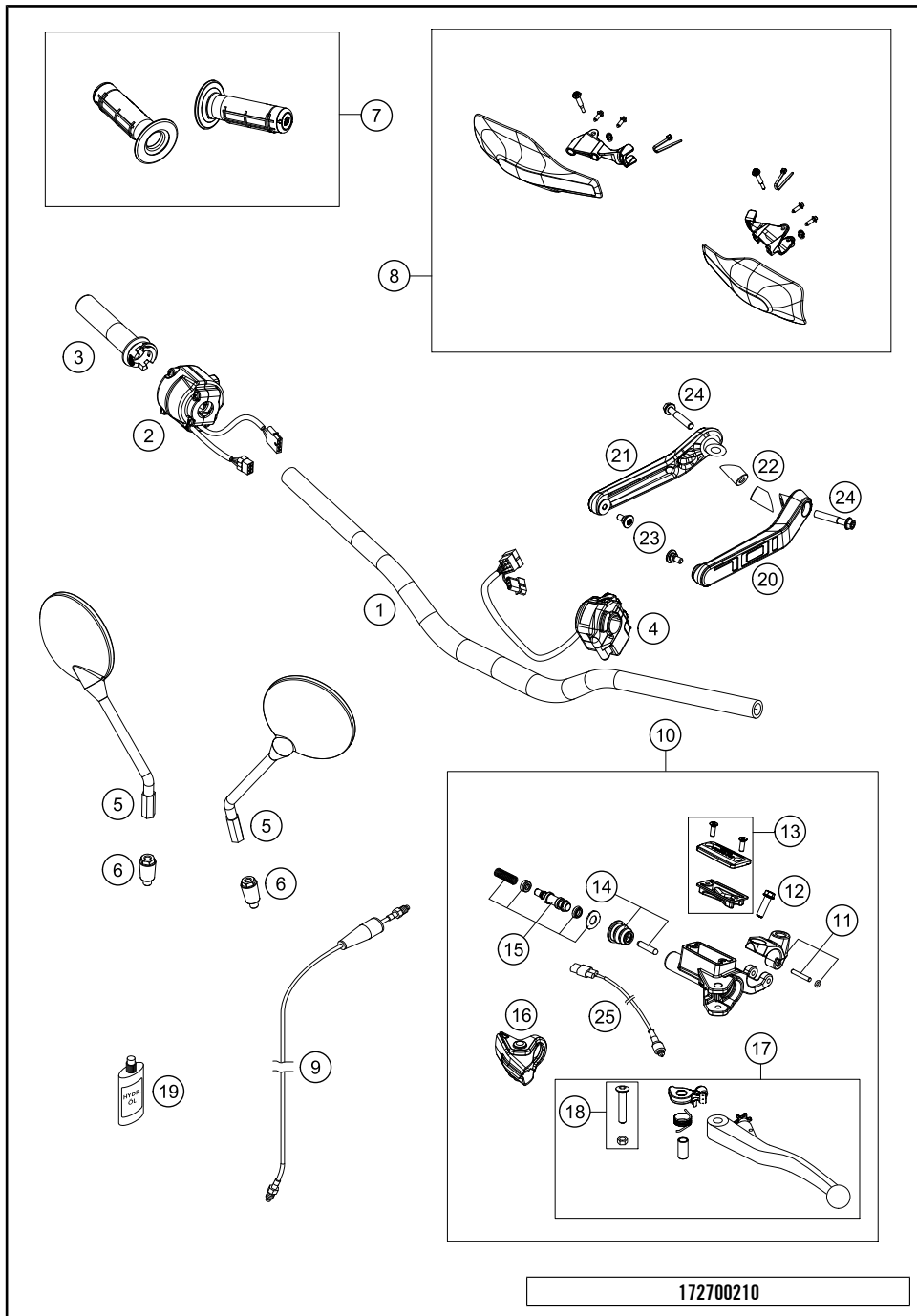
POS	PARTNUMBER	PARTNAME	PIECE
1	48601318S1	AXLE CLAMP L/S WITH TUBE CPL.	1
2	48601317S1	AXLE CLAMP R/S WITH TUBE CPL.	1
3	R14040	GASKET KIT CPL.	1
4	48601062S2	SCREW CAP M51X1.5 REB	1
5	48601062S3	SCREW CAP M51X1.5 COM	1
6	46810340	O-RING NBR 45X2	2
7	R14026	SPRING SPACER KIT	2
8	48601099	OUTER TUBE L=550 D54/D60 3L	2
9	R14063	FORK REP. KIT 48MM OFFROAD	1
10	48600705S3	CARDRIDGE KIT CPL. R/S	1
11	48601319S	CARDRIDGE KIT CPL. L/S	1
12	91410044S	SPRING C=5,6 L=450 D=5,5 05	1
13	00501020S1	AH SCREW M10X20 SET	2
97	48601166S1	FORK OIL SAE4 5L	1
98	T511	SILICONE GREASE F. DUST STRI	1
99	R14041	REP. KIT 1290 SD 2014	1

162700131

16989

* NEW PART

X ON DEMAND

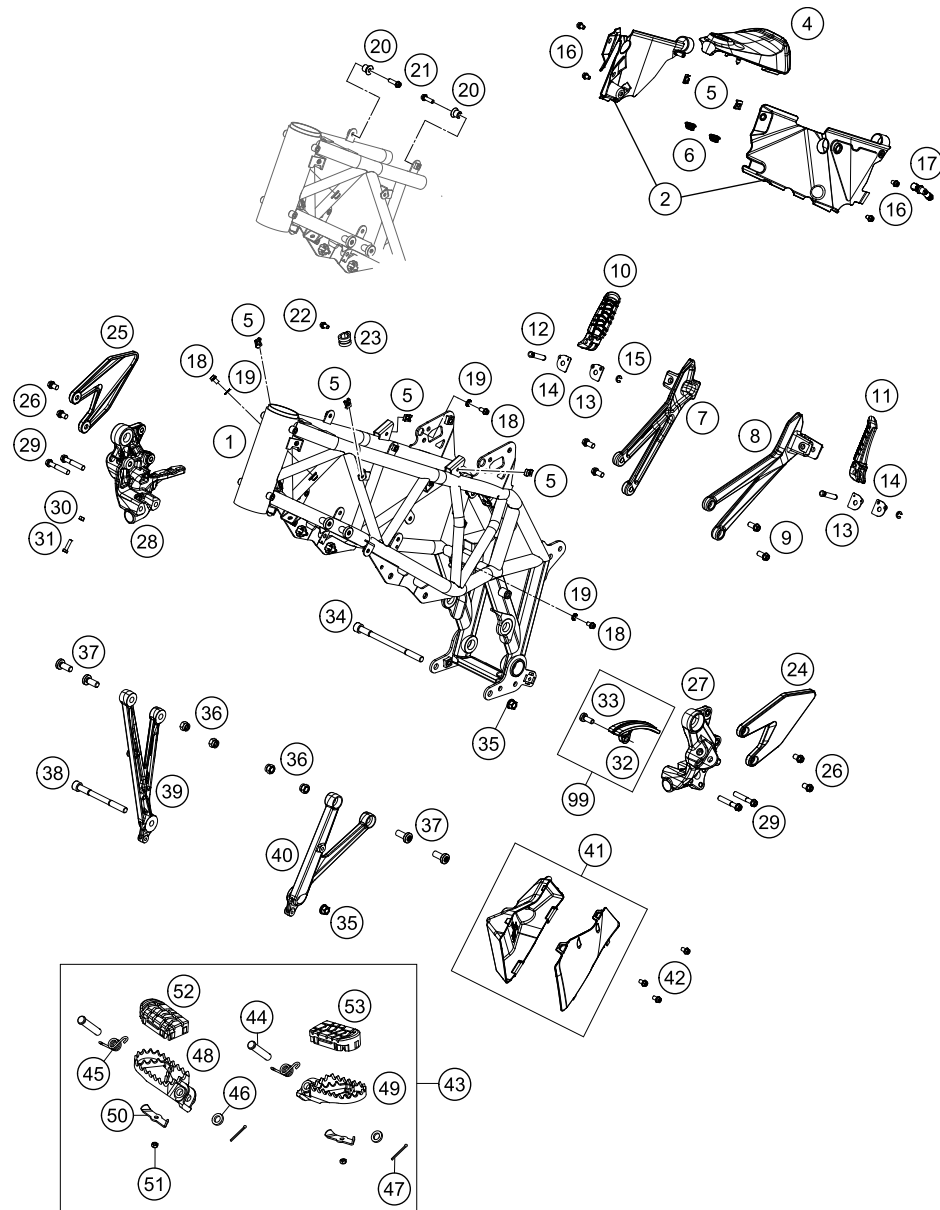


POS	PARTNUMBER	PARTNAME	PIECE
1	7800200100017	HANDLEBAR D=28MM	1
2	76011073100	START-STOP/E-GAS	1
3	27002110000	THROTTLE GRIP OPEN	1
4	76511070000	LIGHT SWITCH L/S 08	1
5	58412040100	REAR MIRROR L/S+R/S LC4 2001	2
6	58412040050	SUPPORT FOR MIRROR LC4 '98	2
7	27002021000	GRIP SET BLACK/WHITE OPEN	1
8	2700217900028	HANDGUARD CPL. LE+RI WHITE	1
9	54732063100	CLUTCH PIPE 250/300 2003	1
10	27002030044	MASTER CYLINDER D=11 MM	1
11	76513005000	CLAMP, CYL. PIN, O-RING	1
12	0025060206	HH COLLAR SCREW M6X20 TX30	1
13	25002033000	COVER HYDR. CLUTCH DOT CPL.	1
14	76502046000	PUSH ROD CPL. 13	1
15	27002032000	REP. KIT PISTON DOT 11MM	1
16	76502037000	PROTECT.CAP FOR LEVER PERCH 13	1
17	27002031000	CLUTCH LEVER CPL.	1
18	50302038200	LEVER SCREW SHORT CPL. 09	1
19	00062030000	BRAKE FLUID DOT5.1 0,25L	1
20	2700208200001	LEFT HAND GUARD	1
21	2700208300001	RIGHT HAND GUARD	1
22	27002080050	INNER HAND GUARD CLAMP	2
23	69008021160	SPECIAL SCREW M5X12	2
24	0025060356	HH COLLAR SCREW M6X35 TX30	2
25	83111049000	CLUTCH SWITCH ATV	1

172700210

18497

* NEW PART X ON DEMAND



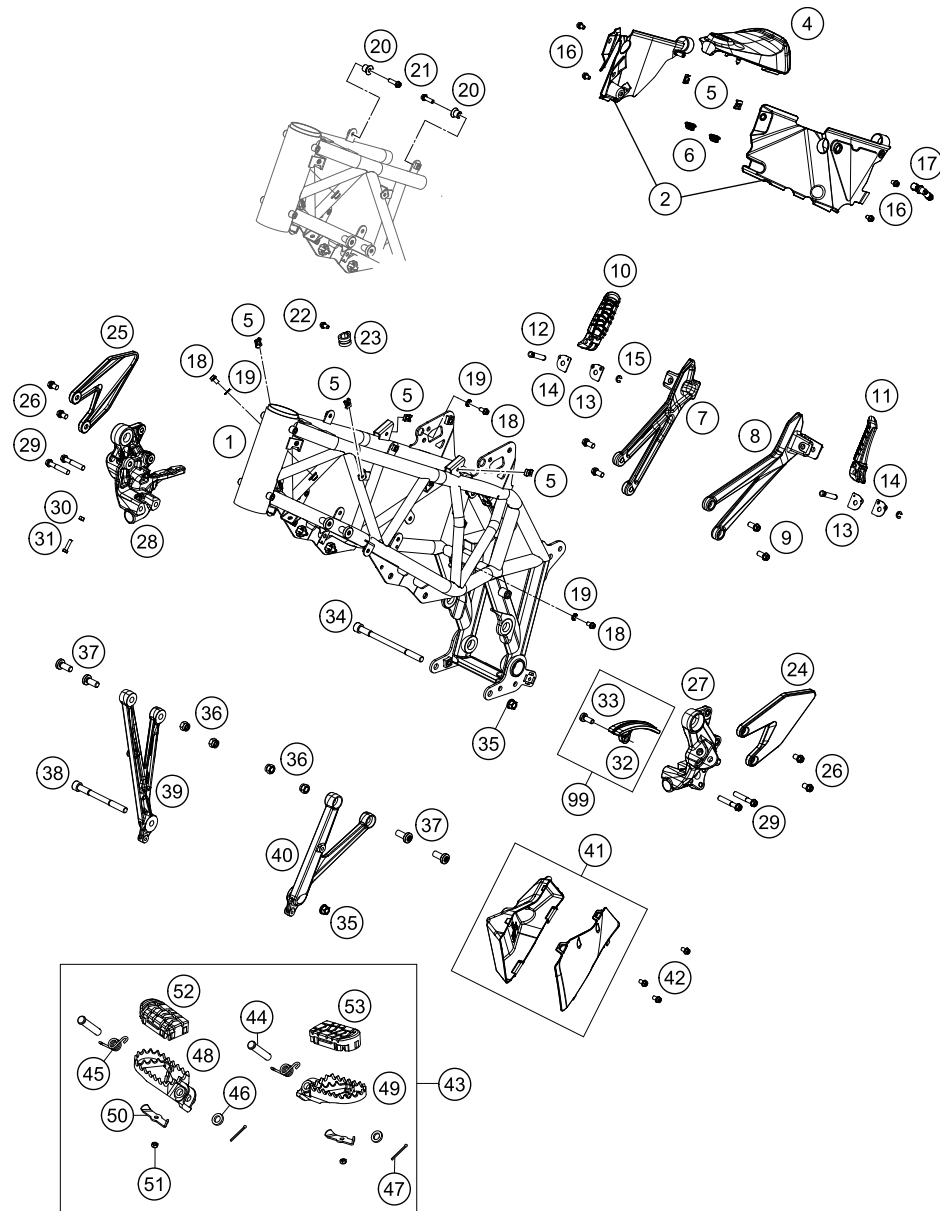
POS	PARTNUMBER	PARTNAME	PIECE
1	2700300100028	FRAME "270PA" WHITE	1
2	27003094000	FRAME GUARD-SET	1
4	27003084000	IGNITION LOCK COVER	1
5	69008021080	RANGE CHANGE METAL NUT M5	6
6	47106003160	QUICK CONNECTOR CLUTCH	2
7	7650304900001	FOOT REST BRACKET REAR R/S	1
8	7650304800001	FOOT REST BRACKET REAR L/S	1
9	0025080166	HH COLLAR SCREW M8X16 TX40	4
10	60003051000	FOOTREST CPL. R/S REAR 03	1
11	60003050000	FOOTREST CPL. L/S REAR 03	1
12	60003044000	BOLT FOR FOOTREST REAR 03	2
13	60003152000	ENGAGE PANEL FOOTREST R/S 03	2
14	60003052000	ENGAGE PANEL FOOTREST L/S 03	2
15	0799060003	TAB WASHER DIN6799-RS 6,0	2
16	0025060106	HH COLLAR SCREW M6X10 TX30	4
17	60038082000	ANGLE CONNECTOR LC8 03	1
18	0025060126	HH COLLAR SCREW M6X12 TX30	3
19	58411098100	CONTACT WASHER M6 VSV-K6	3
20	77307026000	TANK BUSHING 07	2
21	0025060206	HH COLLAR SCREW M6X20 TX30	2
22	58605083014	SCREW M5X14 TORX 25 07	1
23	49007439000	CLAMP RSGU 15/12	1
24	27003138050	HEEL PROTECTOR LS	1
25	27003139050	HEEL PROTECTOR RS	1
26	0025080126	HH COLLAR SCREW M8X12 TX40	4
27	7650303804401	FOOT REST BRACKET L/S	1
28	7650303924401	FOOTREST BRACKET RIGHT	1
29	0025080456	HH COLLAR SCREW M8X45 TX40	4
30	0934050003	HEXAGON NUT DIN0934-M 5	1
31	0933050203	HH SCREW DIN933 M5x20	1
32	76504067000	CHAIN SLID. GUARD 08	1
33	0035080206S	AH-COLLAR SCREW M8X20 ISA45	1
34	75003014000	SPECIAL SCREW M10X152 ISK8 07	1
35	54630044000	COLLAR NUT M10 WS=13	2
36	54310086100	SELF LOCKING NUT M10 CU WS=14	4
37	0035100249	AH-COLLAR SCREW M10X24 ISA45	4
38	75003015000	SPECIAL SCREW M10X115 ISK8 07	1
39	7650300600033	ENGINE SUPPORT R/S BLACK	1

162700311

16993

* NEW PART

X ON DEMAND



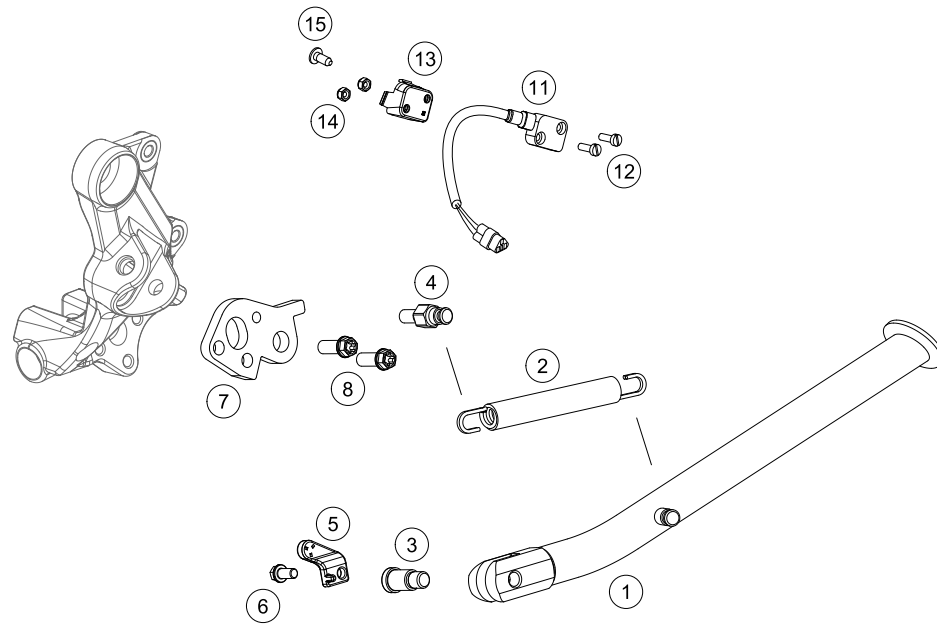
POS	PARTNUMBER	PARTNAME	PIECE
40	7650300500033	ENGINE SUPPORT L/S BLACK	1
41	27012061100	TOOL BOX	1
42	0024060106	HH COLLAR SCREW M6X10 TX30	3
43	60003040133	FOOTPEG LS+RS CPL.	1
44	54803044000	PIN FOR FOOT PED 51.5X9.8 MM	2
45	54603041000	FOOTREST SPRING L/S & R/S	2
46	0125100003	WASHER DIN0125-A10,5	2
47	0094032253	PIN DIN0094-3,2X25 STEEL	2
48	78003041050	FOOTREST R/S 08	1
49	78003040050	FOOTREST L/S 08	1
50	60003044010	CLOSING PANEL FRONT L/S R/S 03	2
51	0985050003	SELF LOCKING NUT DIN0985-M 5	2
52	60003041010	FOOTREST RUBBER FRONT R/S 03	1
53	60003040010	FOOTREST RUBBER FRONT L/S 03	1
99	76504067010	CHAIN SLIDING BELOW 08-13	1

162700311

16993

* NEW PART

X ON DEMAND



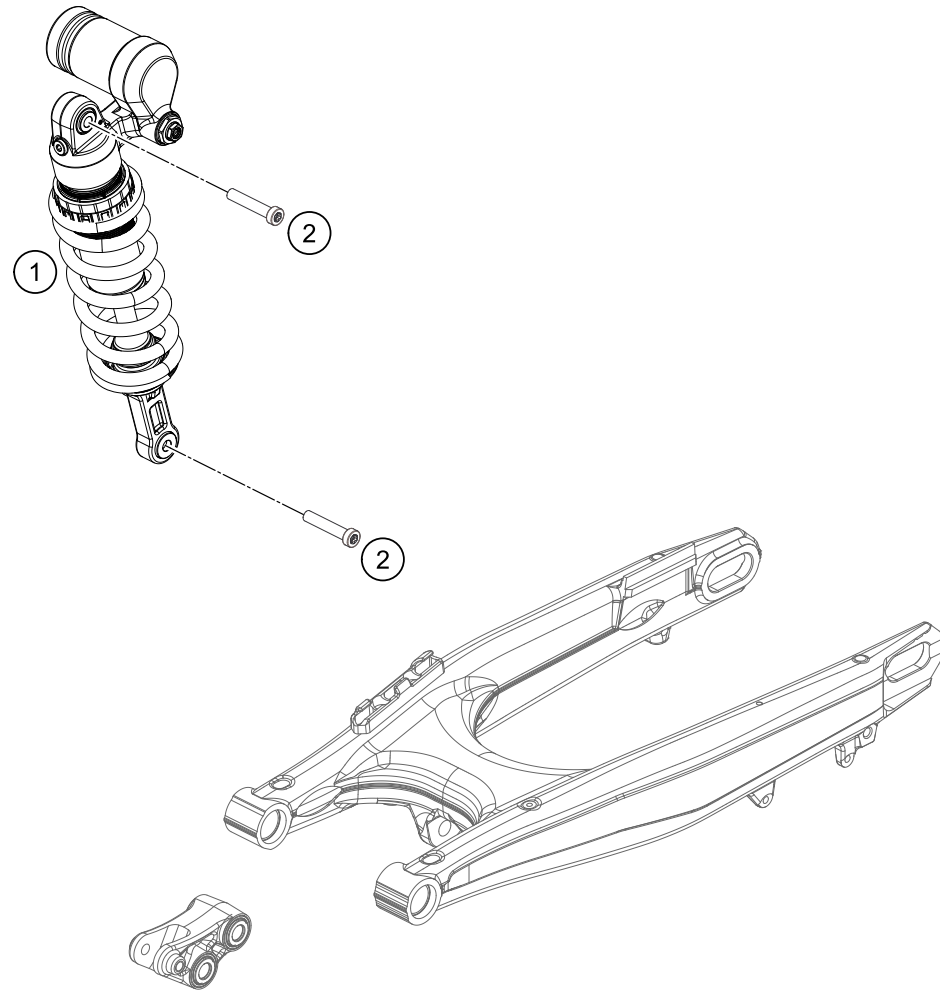
POS	PARTNUMBER	PARTNAME	PIECE
1	7650302300033	SIDE STAND L=306MM SMC 08	1
2	61003024000	SPRING L=116 MM 05	1
3	62503027200	SCREW FOR SIDE STAND M10X31,2	1
4	76503028001	SPECIAL SCR. SIDE STAND SPRING	1
5	76503029000	MAGNET HOLDER	1
6	0025060126	HH COLLAR SCREW M6X12 TX30	1
7	76503026000	SIDE STAND BRACKET 08	1
8	0025080206	HH COLLAR SCREW M8X20 TX40	2
11	60411045000	SIDE STAND SENSOR	1
12	0084040123	CYL.HEAD SCREW DIN84A M4x12	2
13	76511045050	HOLDER FOR SIDESTAND SWITCH 08	1
14	0985040003	SELF LOCKING NUT DIN0985-M 4	2
15	0081050121	SCREW FOR PLASTIC K50X12 T20	1

162700360

18535

* NEW PART

X ON DEMAND



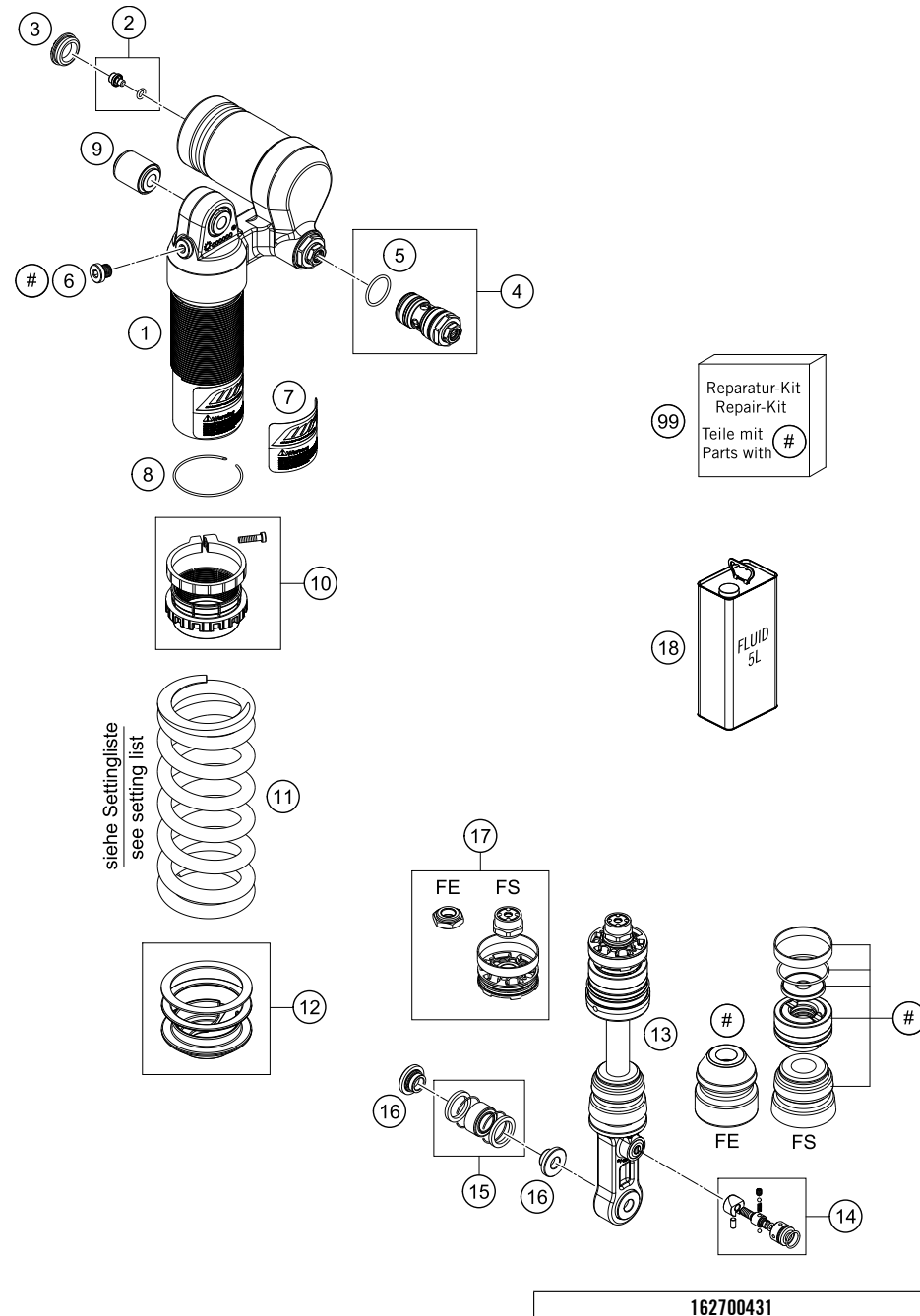
POS	PARTNUMBER	PARTNAME	PIECE
1	15157P1201	MONOSHOCK WP SMC 16	1
2	76504016000	CYL. SCREW M10X1,25 L=53	2

162700410

16997

* NEW PART

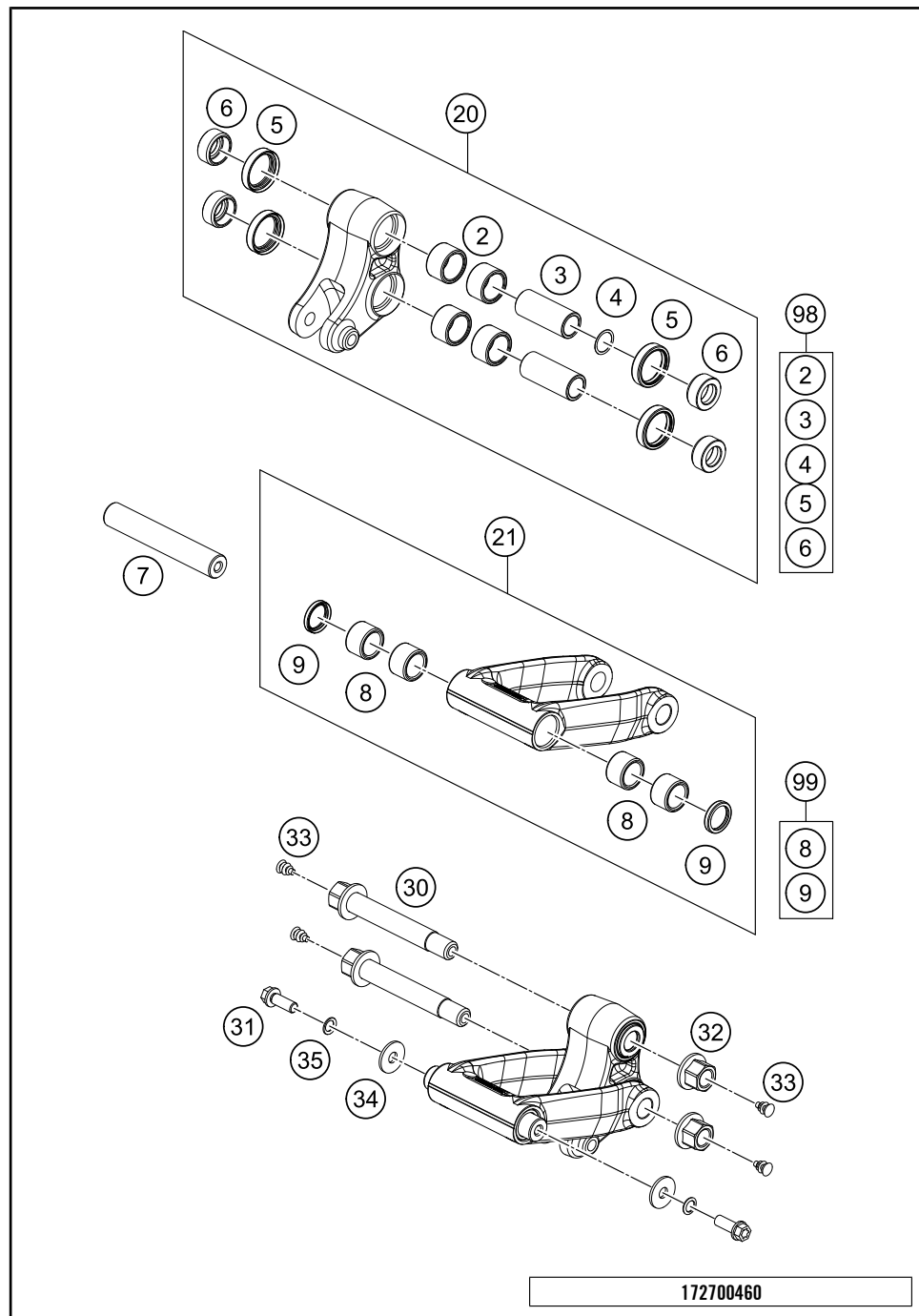
X ON DEMAND



POS	PARTNUMBER	PARTNAME	PIECE
1	46180776S2	MONOSHOCK UPPER PART	1
2	36120151S	PLUG SCREW M5X6 CPL.	1
3	46811208	RUBBER CAP "DO NOT OPEN"	1
4	46180533S1	DCC-COMPR.DAMP.CONTROL HS95	1
5	46180811	O-RING VITON 22X2 70SH	1
6	50180095	BLEED PLUG R 1/8	1
7	52000087	STICKER WP MONOSHOCK	1
8	46810010	CIRCLIP 49X1,5	1
9	14460161	SILENT BLOCK D25X10X32	1
10	46181013S	ADJUSTING NUT PLASTIC CPL.	1
11	91110003S	SPRING 220MM 75N/MM (61)	1
11	91110004S	SPRING 220MM 80N/MM (61)	x
12	46180396S	SPRING PLATE SET	1
13	46180654S16	MONOSHOCK LOWER PART CPL.	1
14	46180522S1	TAP ADJ. REBOUND	1
15	R12012	REP. KIT BEAR./SEAL UP. 07	1
16	46180010	BUSH KGW 10X24	2
17	R12030	PISTON KIT FE/FS 701	1
18	50180751S1	SHOCK ABSORBER FLUID 5 LT	1
99	R12031	SERVICEKIT FE / FS 701	x

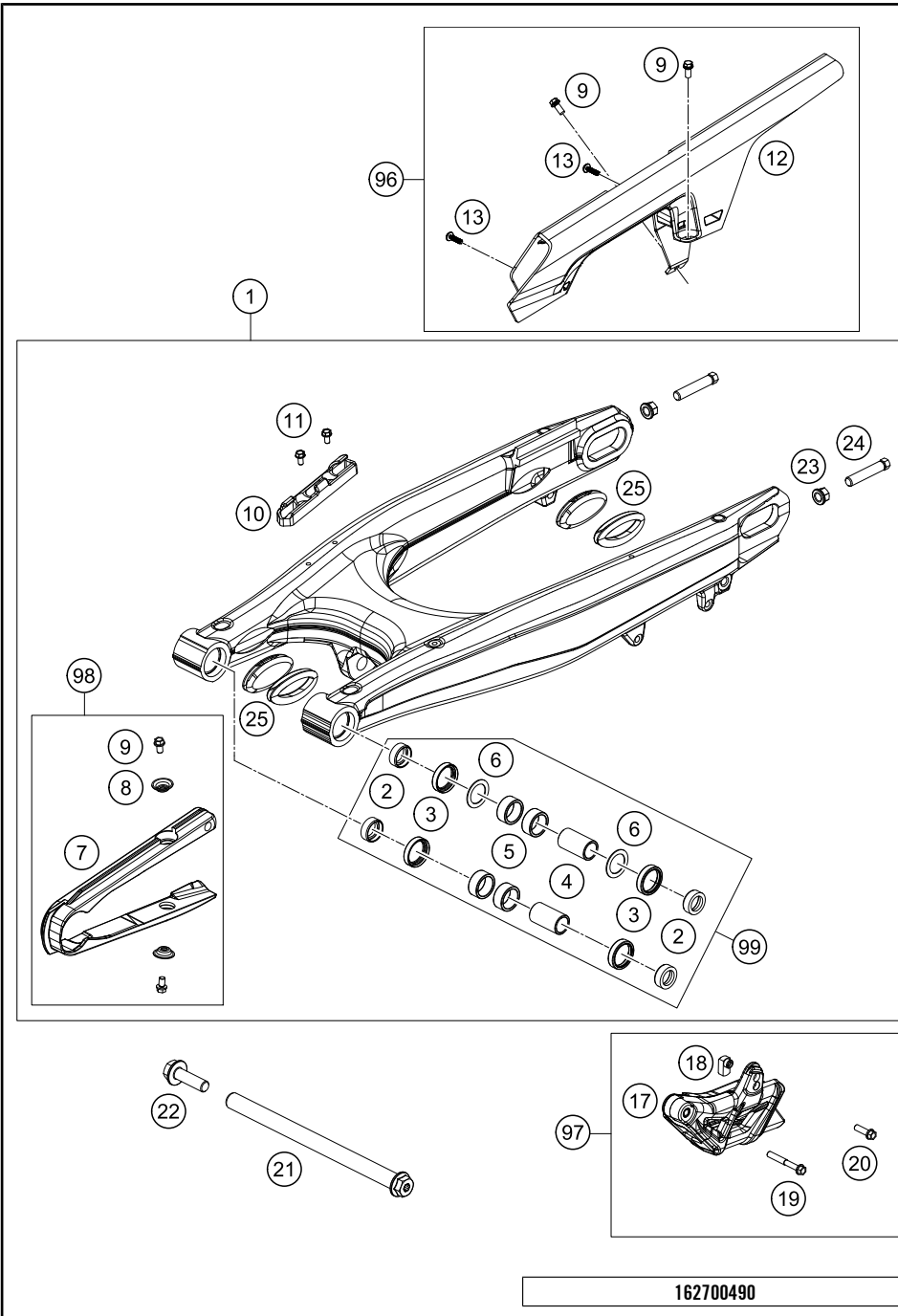
* NEW PART

X ON DEMAND



POS	PARTNUMBER	PARTNAME	PIECE
2	54603097000	NEEDLE BUSH HK 2016	4
3	54603081000	BUSHING SLEEVE 15 X 20 X 48	2
4	54603090010	STEEL WASHER 15,2X19X0,1	x
4	54603090020	STEEL WASHER 15,2X19X0,2	x
4	54603090030	STEEL WASHER 15,2X19X0,3	x
5	0760253270	SHAFT SEAL RING 25X32X7	4
6	76504089000	BUCKET FOR SHAFT SEAL RING	4
7	76504084000	PULL ROD ANCHOR BOLT	1
8	56503195100	NEEDLE BEARING HK 1816	4
9	0760182442	SHAFT SEAL RING 18X24X4	2
20	2700408004401	TRIANGLE LEVER CPL.	1
21	2700408304401	PULL ROD CPL.	1
30	76504082044	BOLT CPL. M14X1,5	2
31	0025080166S	HH COLLAR SCREW M8X16 TX40	2
32	54603015000	SELF LOCKING NUT M14X1,5 WS=19	2
33	54403135000	PLASTIC CAP SFL10	4
34	0021080003	WASHER DIN9021-A 8,4	2
35	36003014000	LOCK WASHER 8MM	2
98	76504080100	TRIANGLE LEVER REP. KIT REAR	x
99	76504083010	PULL ROD REP. KIT 690 END/SMC	x

10404 * NEW PART X ON DEMAND



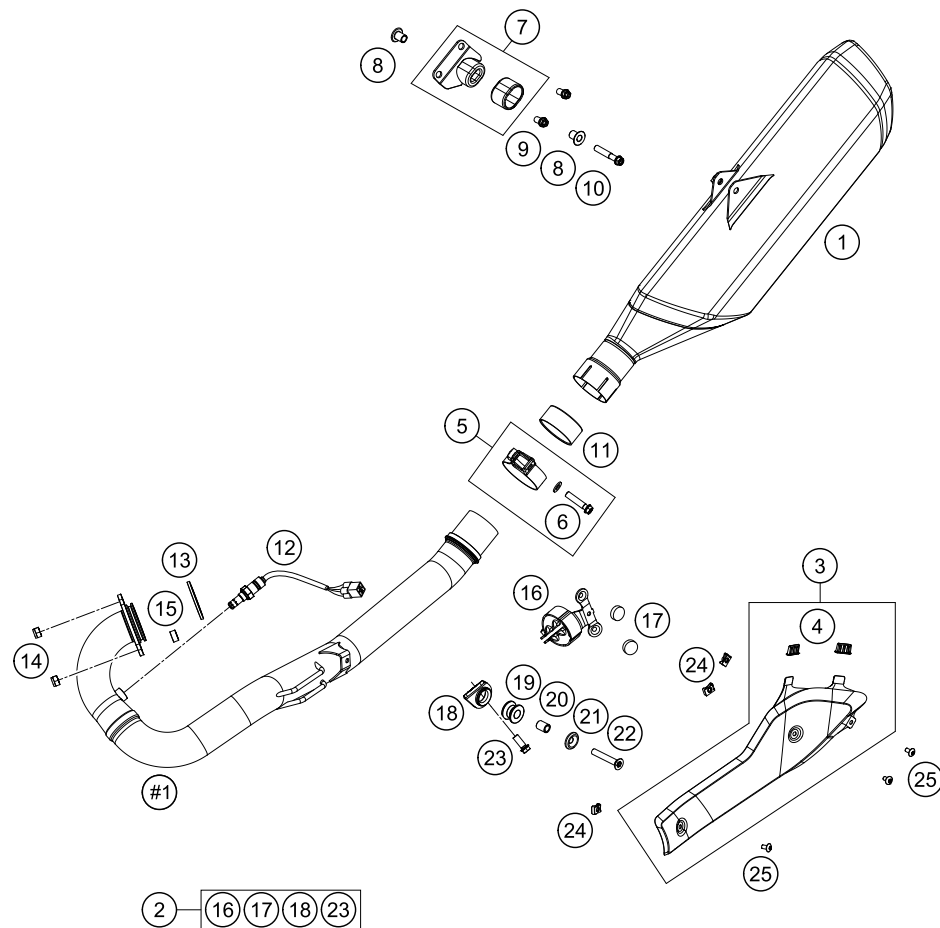
POS	PARTNUMBER	PARTNAME	PIECE
1	76504030144	SWING ARM CPL.	1
2	76504034000	BUCKET FOR SHAFT SEAL RING	4
3	0760253270	SHAFT SEAL RING 25X32X7	4
4	59404032000	BEARING SLEEVE 17X22X38,7 03	2
5	0618222812	NEEDLEBEAR HK2212V 22/28/12 MB	4
6	54603036000	STOP DISK 22,2X31,7X1	2
7	76504066000	CHAIN SLIDING GUARD 07	1
8	77304066050	BUSHING F. CHAIN SLIDING PR.07	2
9	59009062013	SPECIAL SCREW M6X13 WS=8 10.9	4
10	76504042000	BRAKE LINE GUIDE 08	1
11	0009050106	EJOT SPIRAL SCREW SF M5X10-K	2
12	27004060000	CHAINGUARD	1
13	0081050181	SCREW FOR PLASTIC K50X18 T20	2
17	78004070100	CHAIN GUIDE CPL.	1
18	77304070030	INSERTION NUT F. CHAIN GUIDE	1
19	0025060456	HH COLLAR SCREW M6X45 TX30	1
20	0025060206	HH COLLAR SCREW M6X20 TX30	1
21	75304037044	SWINGARM BOLT L=246 M12X1,5	1
22	76504038000	SPECIAL SCREW M12X40 SW19	2
23	58414030000	HH COLLAR NUT M10X1,25 WS=13	2
24	50304040100	SCREW M10X1,25X50 WS=10	2
25	58404041000	CLOSING COVER SWINGARM SM 03	4
96	27004060010	CHAIN GUARD KIT 2016	x
97	77304070310	CHAIN GUIDE KIT REAR 08-14	x
98	76504066010	CHAIN GUARD KIT 08-14	x
99	76504230010	SWINGARM REPAIR KIT 08-13	x

162700490

17000

* NEW PART

X ON DEMAND



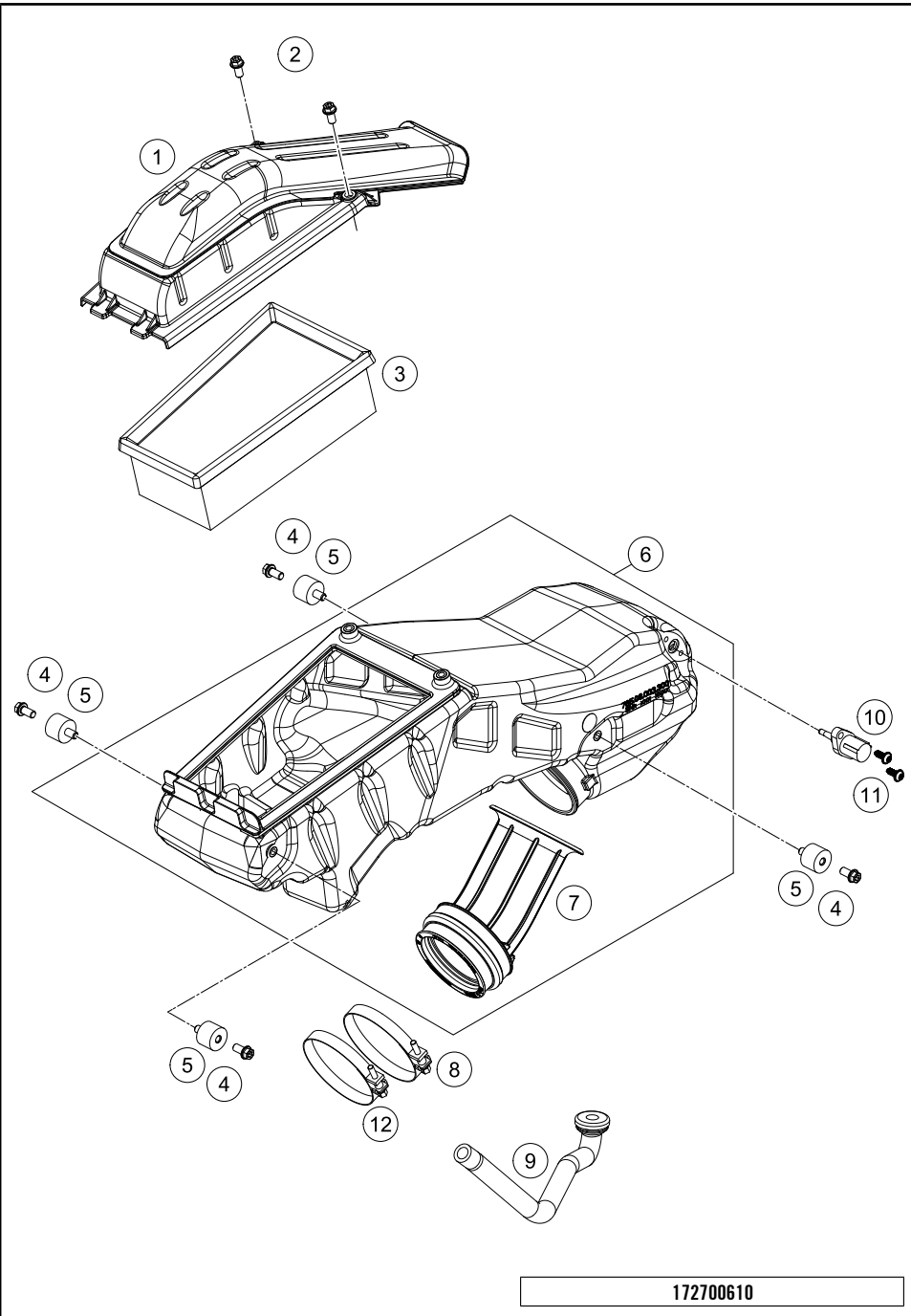
POS	PARTNUMBER	PARTNAME	PIECE
1	27005183000	Muffler	1
2	27005007000	EXHAUST PIPE CPL.	1
3	27005011000	THERMAL SHIELD	1
4	27005011011	DAMPING ELEMENT SILICON	2
5	76505051000	CLAMP FOR SILENCER 57,4MM Ø8	1
6	0025080356	HH COLLAR SCREW M8X35 TX40	1
7	76505084100	HOLDER SILENCER CPL.	1
8	60305069000	BUSHING	2
9	0025060166	HH COLLAR SCREW M6X16 TX30	2
10	0025080456	HH COLLAR SCREW M8X45 TX40	1
11	58605005000	GRAPHIT RING 55X50X25 Ø5	1
12	75041090200	LAMBDA SENSOR	1
13	61005005000	EXHAUST GASKET Ø5	1
14	51010086100	SELF LOCKING NUT M 8 CU	2
15	61005009000	SPACER BUSH. 8,5X15X7,5 Ø5	1
16	27005007025	CLAMP WELD ASSEMBLY	1
17	54308042000	RUBBER BUFFER	2
18	27005007027	EXHAUST SUPPORT	1
19	54305068100	DAMP. COMPONENT SILICONE GREY	1
20	56505069000	SPACER BUSHING 8,4X12X16	1
21	62603061000	SPECIAL WASHER 8X24 ALU H=4,2	1
22	0019080506	COUN.-SUNK SCREW M8X50 ISA10.9	1
23	0025080206	HH COLLAR SCREW M8X20 TX40	1
24	54603048600	RANGE CHANGE METAL NUT M5 INOX	3
25	78105081010	SCREW TORX M5X10	3

162700510

18499

* NEW PART

X ON DEMAND



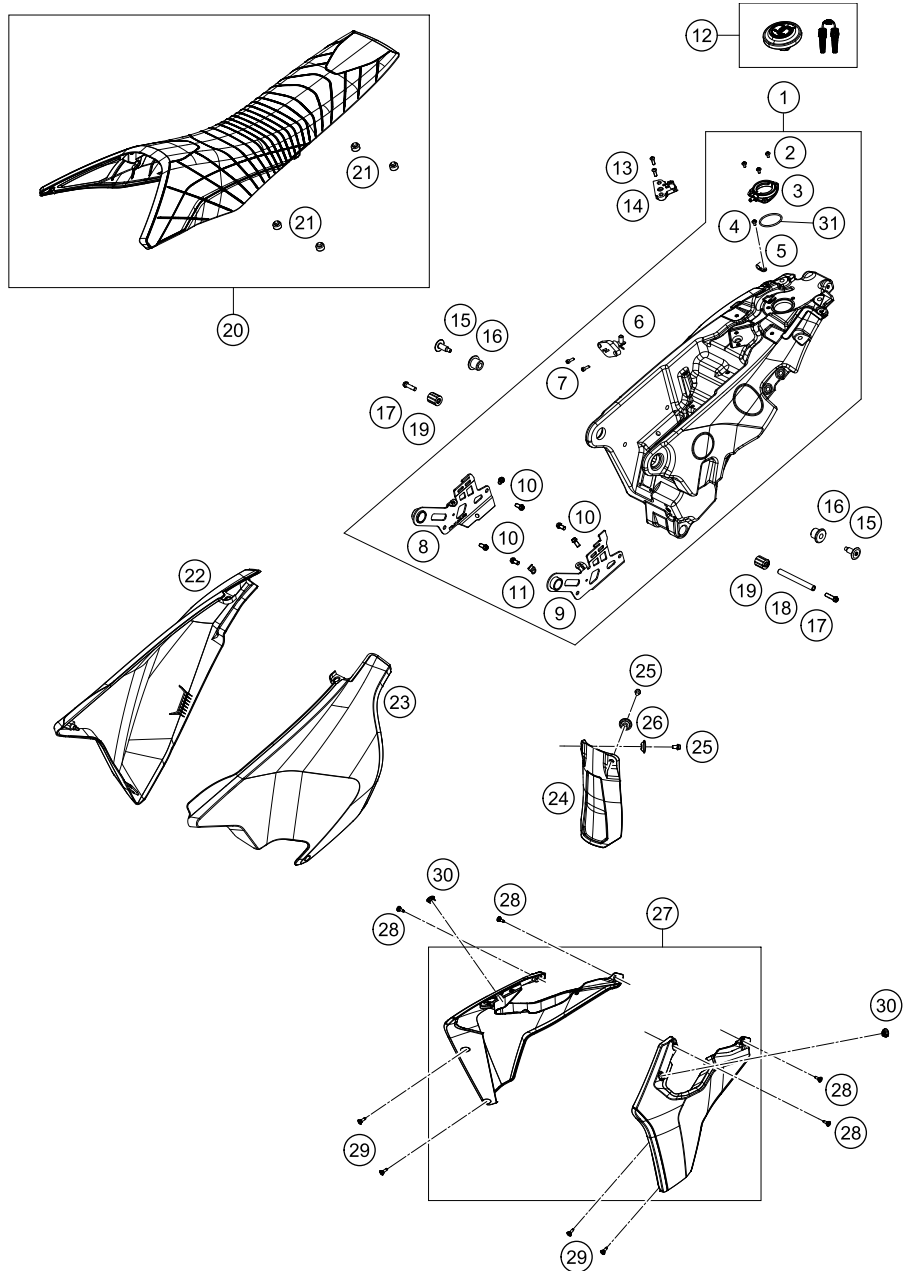
POS	PARTNUMBER	PARTNAME	PIECE
1	76506002000	FILTER BOX-TOP PART 08	1
2	0025060126	HH COLLAR SCREW M6X12 TX30	2
3	76506015100	AIRFILTER PAPER 200X120	1
4	0025060106	HH COLLAR SCREW M6X10 TX30	4
5	43205062100	RUBBER GROMMET 20X15-M6X10 (1)	4
6	76506003344	FILTER BOX WITH INTAKE FLANGE	1
7	76506026100	INTAKE FLANGE	1
8	55006028000	HOSE CLAMP 60-80MM	1
9	27030087000	Pre-formed hose	1
10	61041080000	AMBIENT-AIR TEMPERATURE SENSOR	1
11	0081050121	SCREW FOR PLASTIC K50X12 T20	2
12	51006027000	HOSE CLAMP 50-70MM	1

172700610

18502

* NEW PART

X ON DEMAND



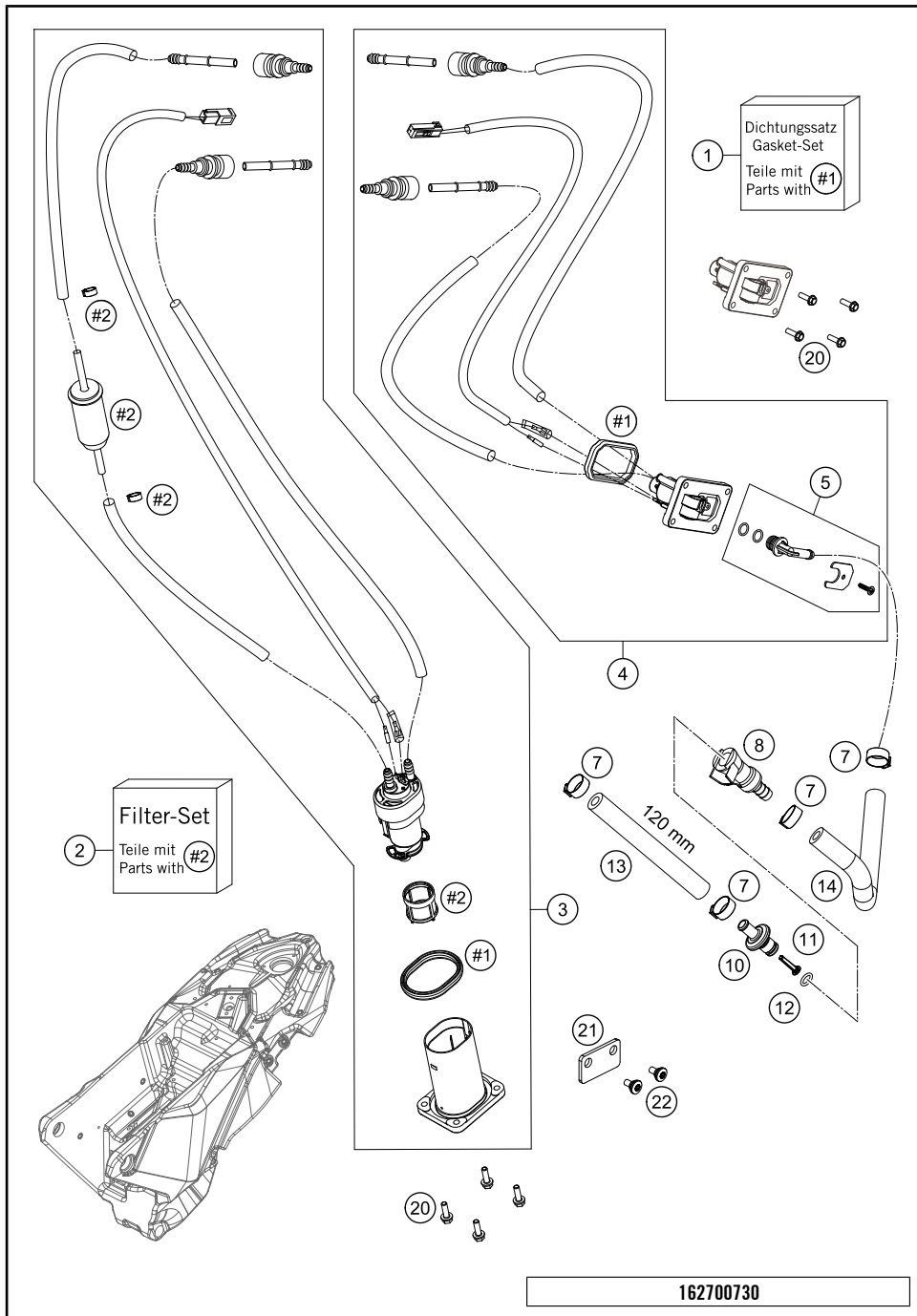
172700710

POS	PARTNUMBER	PARTNAME	PIECE
1	27007113144	FUEL TANK CPL.	1
2	78105081010	SCREW TORX M5X10	3
3	76507108050	CLOSING FLANGE	1
4	78105081010	SCREW TORX M5X10	1
5	57013070100	PVC-CLAMP 7,9 MM HEYCO 3355	1
6	58207080100	GAS-LEVEL SENSOR ADV. 2006	1
7	0912050163	AH SCREW DIN0912-M 5X16	2
8	27007028000	RIGHT FUEL-TANK SUPPORT PLATE	1
9	27007027100	Retaining bracket tank left	1
10	0025080166	HH COLLAR SCREW M8X16 TX40	6
11	27007053000	CLAMP FOR SEAT LOCK LINKAGE	1
12	27007008000	TANK CAP	1
13	0738060181	COU.SUNK SCR. AH ISO7380 M6X18	2
14	76507050000	SEAT LOCK	1
15	76507060000	BEARING BUSHING UP	2
16	76507066000	RUBB.BEAR.BOX 12x24x35 L=24,5	2
17	0025080306S	HH COLLAR SCREW M8X30 TX40	2
18	76507061000	BEARING BUSHING DOWN	1
19	76507065100	RUBBER BUSHING 11,7X24,7 L=26	2
20	27007040000	SEAT CPL.	1
21	27007040045	SEAT RUBBER	4
22	2700804100028A	REAR SPOILER RIGHT WITH DECAL	1
23	2700804000028A	REAR SPOILER LEFT WITH DECAL	1
24	76506010100	SPLASH PROTECTOR	1
25	0025060166	HH COLLAR SCREW M6X16 TX30	2
26	72210079000	BUCKET	2
27	2700805400028B	SPOILER SET SUPERMOTO 17 WITH DECAL	1
28	69008021160	SPECIAL SCREW M5X12	4
29	69008021060	SPECIAL SCREW M5X17	4
30	47106003160	QUICK CONNECTOR CLUTCH	2
31	0770050030	O-RING 50,00X3,00 VITON	1

18515

* NEW PART

X ON DEMAND

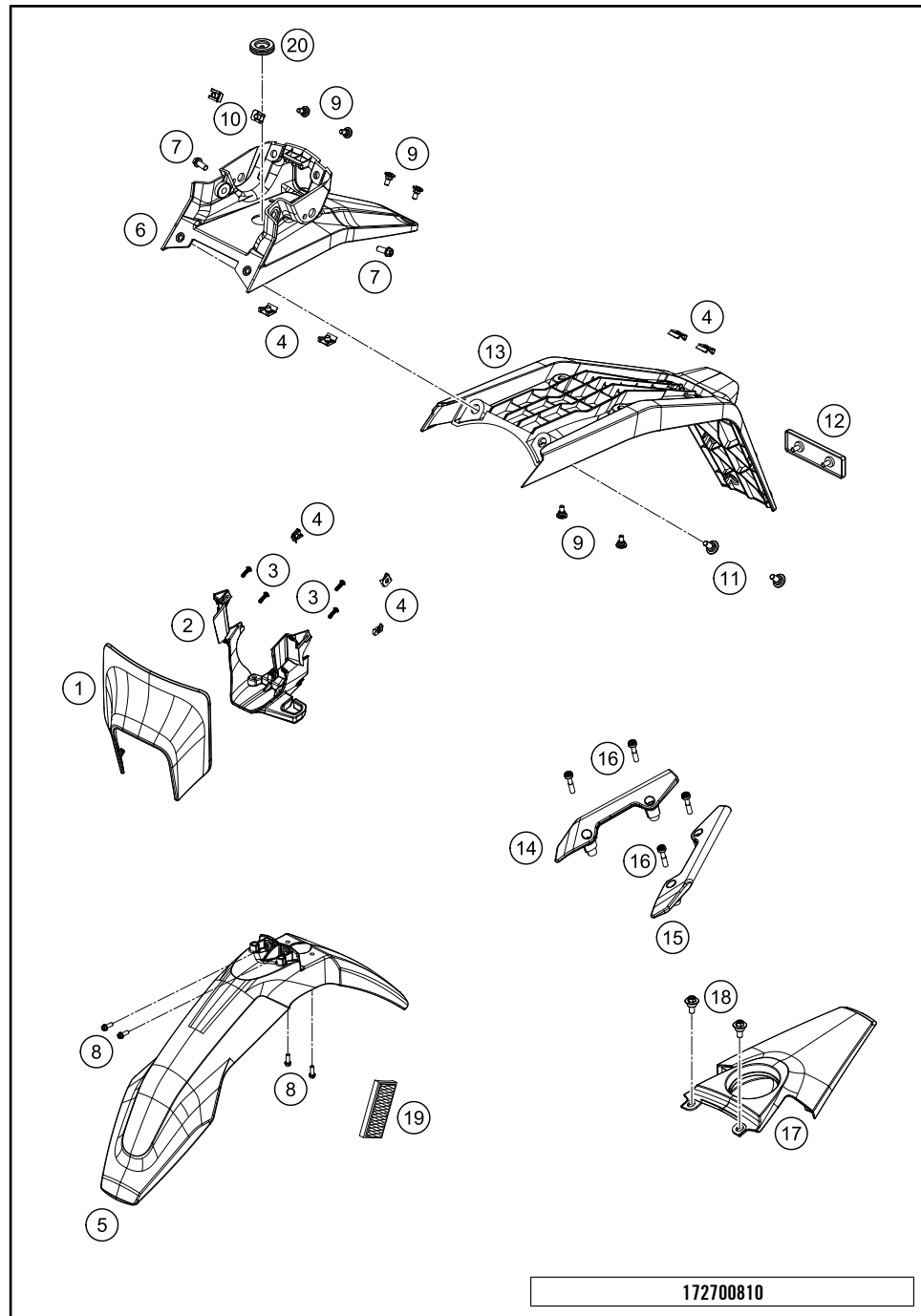


POS	PARTNUMBER	PARTNAME	PIECE
1	75007089000	SEALINGS KIT	1
2	81207090100	FILTER KIT	1
3	75007088011	FUEL PUMP WITH FLANGE CPL.	1
4	75007088012	PRESSURE REGULATOR CPL. 07	1
5	75007092000	HYDRAULIC CONNECTOR CPL.	1
7	00050157706	VARIABLE ONE-EAR CLAMP 15,7MM	4
8	5850701050030	CLUTCH CPC BLACK 05	1
10	77707010000	CONNECTOR FUEL PUMP	1
11	78141013190	FUEL FILTER	1
12	58507012000	O-RING VITON F. PLUG CPC 05	1
13	60007316120	FUEL HOSE 7,5X3,5 L=120	1
14	27007016050	FUEL HOSE THROTTLE VALVE	1
20	0025050166	HH COLLAR SCREW M5X16 TX30	8
21	27008047000	SIDE PANEL BRACKET	1
22	69008021160	SPECIAL SCREW M5X12	2

18516

* NEW PART

X ON DEMAND



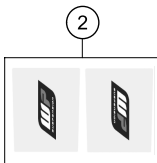
POS	PARTNUMBER	PARTNAME	PIECE
1	2500800100028	HEAD LIGHT	1
2	27008009000	FENDER CONNECTION	1
3	0081050121	SCREW FOR PLASTIC K50X12 T20	4
4	54603048200	RANGE CHANGE METAL NUT M5	7
5	2700801000028	FRONT FENDER WHITE	1
6	27008016000	NUMBER PLATE CARRIER UPP. PART	1
7	0025060126	HH COLLAR SCREW M6X12 TX30	2
8	0025060166	HH COLLAR SCREW M6X16 TX30	4
9	69008021160	SPECIAL SCREW M5X12	6
10	69008021080	RANGE CHANGE METAL NUT M5	2
11	83008000015	SPECIAL SCREW M6X15X3	2
12	58412080000	REFLECTOR RED	1
13	27008016050	NUMBER PLATE CARRIER LOW. PART	1
14	27012009000	SOZIUS GRIP RIGHT	1
15	27012008000	SOZIUS GRIP LEFT	1
16	0035080406	AH-COLLAR SCREW M8X40 ISA45	4
17	2700801300028	REAR FENDER WHITE	1
18	83008100015	SPECIAL SCREW M6X15X5,5	2
19	58412080300	REFLECTOR YELLOW "CEV"	2
20	60006001023	RUBBER SLEEVE STOP SCREW	1

172700810

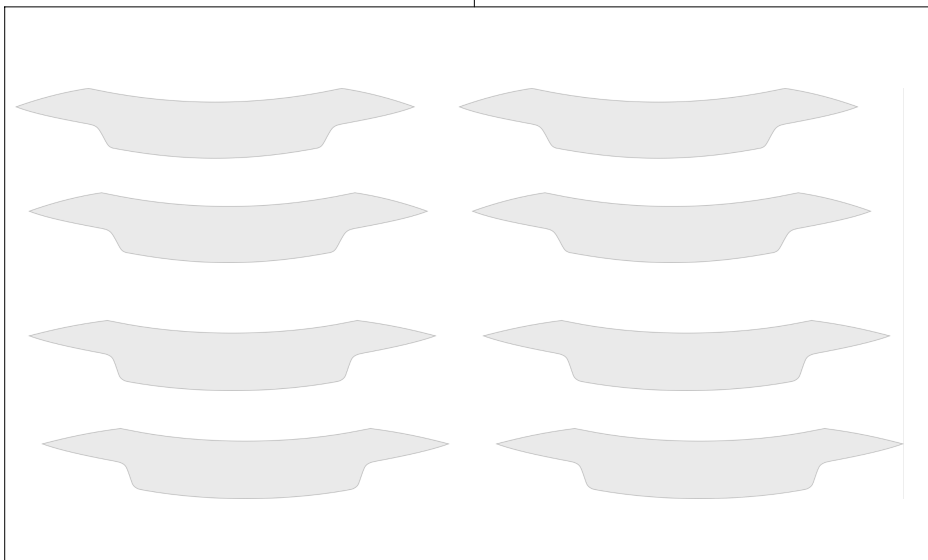
18517

* NEW PART

X ON DEMAND



3



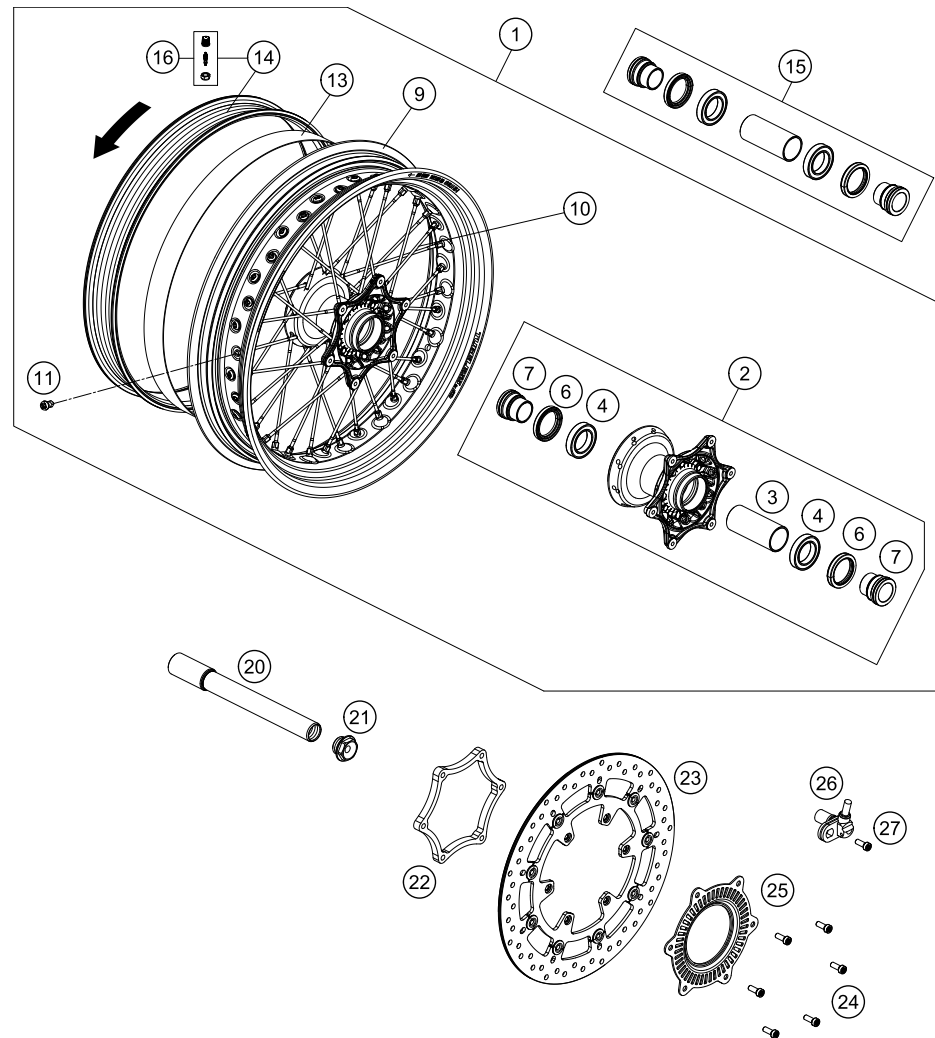
POS	PARTNUMBER	PARTNAME	PIECE
1	27008098000	STICKER FRONT FENDER SUPERMOTO	1
2	52000093	STICKER FRONT FORK-SET WP	1
3	27009098000	DECALSET RIM FRONT+REAR 701SMC	1

162700831

17014

* NEW PART

X ON DEMAND



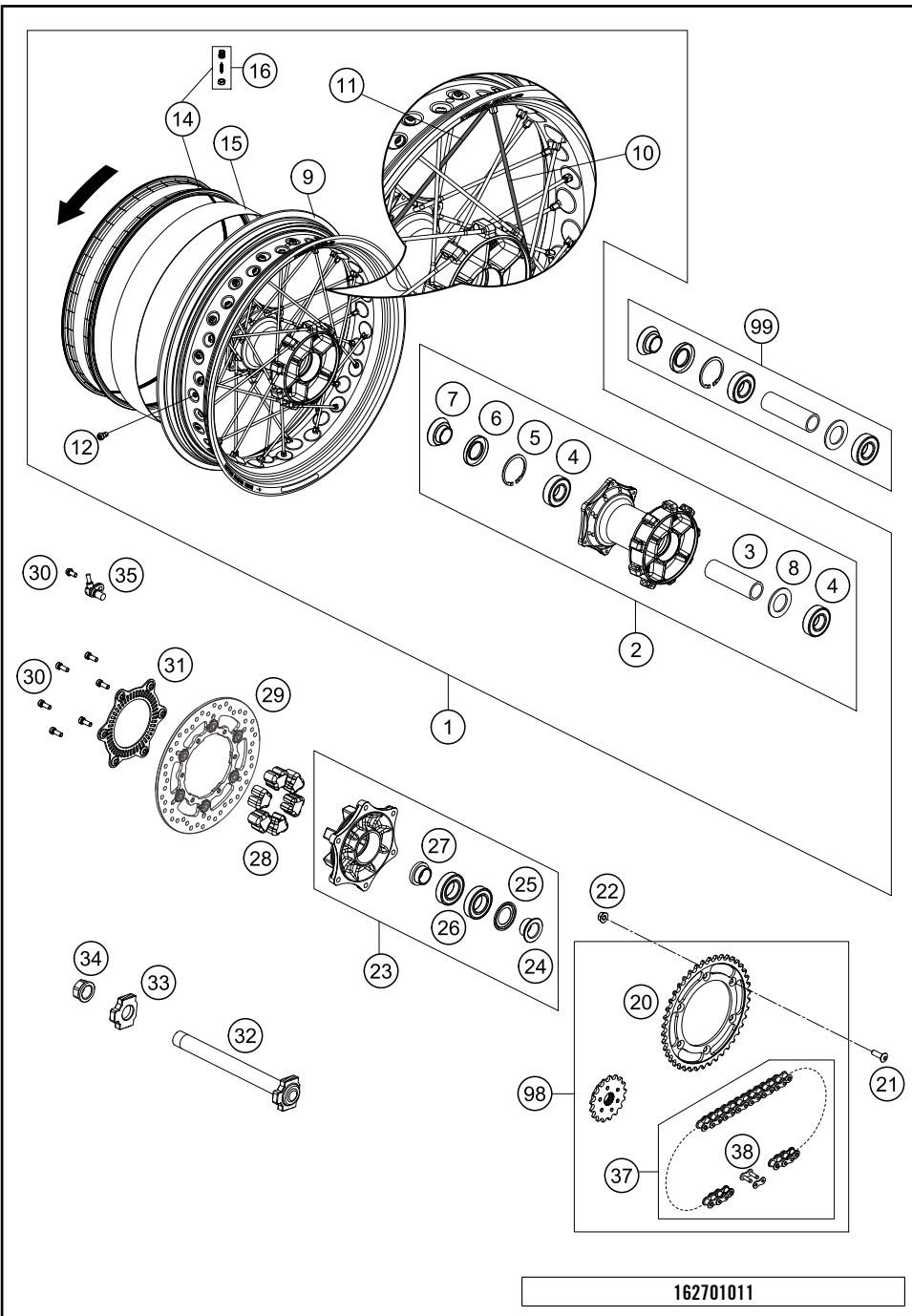
POS	PARTNUMBER	PARTNAME	PIECE
1	7500910114433	Front wheel complete 3,5X17"	1
2	7500901004433	FRONT HUB CPL.	1
3	54809011000	BEA.SPACERTUBE 35X2 L=79,4 03	1
4	0625069068	GR.BALL BEAR.6906 DDU2CG23S6NM	2
6	0760354771	SHAFT SEAL RING 35X47X7 TC	2
7	75009012000	SPACER BUSHING FRONT WHEEL 07	2
9	7500937000033	FELGE VORNE 3.5"X17" TL	1
10	75009073170	SPOKE M4.5X170-9G 17" INOX	36
11	81210072100	SPOKE NIPPLE QUADRAX M4,5	36
13	75009073000	RIM TAPE 17"X3.5"	1
14	75009177044	GASKET RUBBER 17" CPL. W.VALVE	1
15	75009015000	FRONT WHEEL REP. KIT	1
16	81210076000	VALVE CPL.	1
20	75009081000	WHEEL SPINDLE FRONT D=26MM 07	1
21	54809082000	SPINDLE SCREW M24X1,5 WS=27 03	1
22	75009061000	BRAKE DISC ADAPTOR 07	1
23	75009160000	BRAKE DISC FRONT 320MM	1
24	59009062026	SPECIAL SCREW M6X26 SW=8 10.9	6
25	60142020000	SENSOR WHEEL FRONT 06	1
26	27042025000	ABS SENSOR	1
27	014580060166S	CYL.HEAD SCREW DIN14580 M6X16	1

162700911

18518

* NEW PART

X ON DEMAND



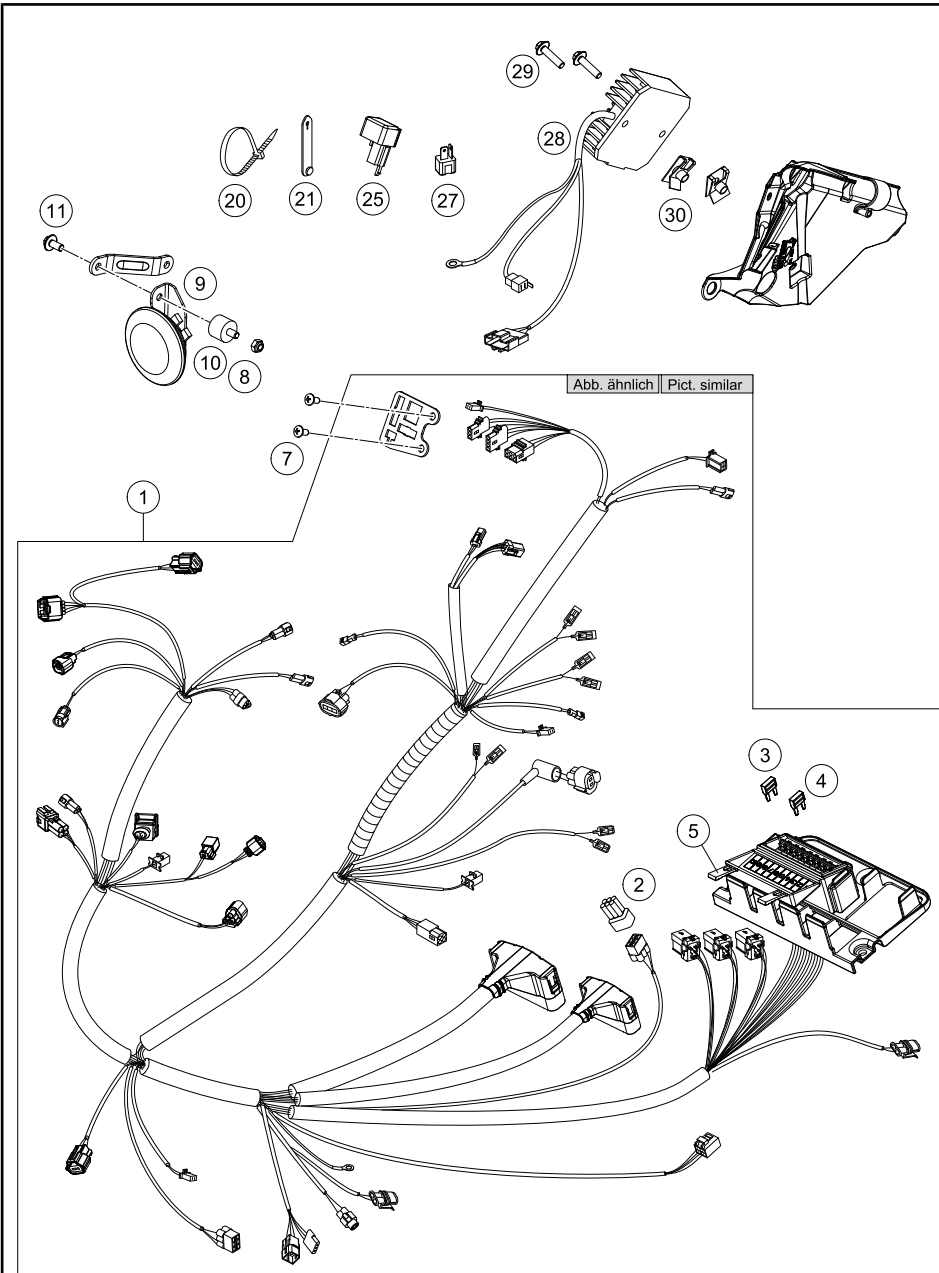
POS	PARTNUMBER	PARTNAME	PIECE
1	7501010114433	Rear wheel compelte. 5X17" TL black	1
2	7531001004433	REAR WHEEL HUB CPL. BLACK	1
3	75310011000	BEARING SPACER TUBE L=106MM 07	1
4	0625062052	GR.BALL BEAR. 6205-2RSHC3HMTF7	2
5	0472052200	CIRCLIP DIN0472-52X2	1
6	0760305271	SHAFT SEAL RING 30X52X7	1
7	60110013000	SPACER BUSH. REAR WHEEL R/S 06	1
8	60010015000	SPACER RING 03	1
9	7501047000033	FELGE HINTEN 5.0"X17" TL	1
10	75010073196	SPOKE M4,5X196-16G 17" INOX	18
11	81210171181	SPOKE M4,5X0,75X181	18
12	81210072100	SPOKE NIPPLE QUADRAX M4,5	36
14	75010177044	GASKET RUB. 17X5" CPL.W. VALVE	1
15	75010073000	RIM BAND 17"X 5.00"	1
16	81210076000	VALVE CPL.	1
20	75010051045	SPROCKET 45T 08	x
20	75010051042	SPROCKET STEALTH 42T 07	1
21	0019080266S	COUNTER-SUNK SCREW ISA45 M8X26	6
22	06923080003	HEXAGON NUT DIN EN1661 M8 SW13	6
23	7501005004491	SPROCKET SUPPORT CPL. SILVER	1
24	60110012000	SPACER BUSH. SPROCKET SUPP. 06	1
25	60110016000	NILOS RING 6006AV	1
26	0625060060	BALL BEARING 6006 DDU2CG23S6NM	2
27	60110014000	SPACER BUSH. SPR. SUPP. IN. 06	1
28	54610459000	RUBBER DAMPING BLOCK '91	6
29	76510160000	BRAKE DISK REAR D=240	1
30	014580060166S	CYL.HEAD SCREW DIN14580 M6X16	7
31	76542021000	SENSOR WHEEL ABS REAR	1
32	75310085144	WHEEL SPINDLE CPL.	1
33	60010084000	CHAIN TENSIONER R/S LC8 03	1
34	60010086000	COLLAR NUT WH. SPINDLE REAR 03	1
35	76042025000	ABS-SENSOR	1
37	78010167118	CHAIN DID 118 LINKS	1
38	78010166100	RIVETING LINK FOR 78010167118	1
98	00050002074	DRIVETRAIN KIT 701 SM 16T/42T	x
99	75010015000	REAR WHEEL REP. KIT	x

162701011

18519

* NEW PART

X ON DEMAND



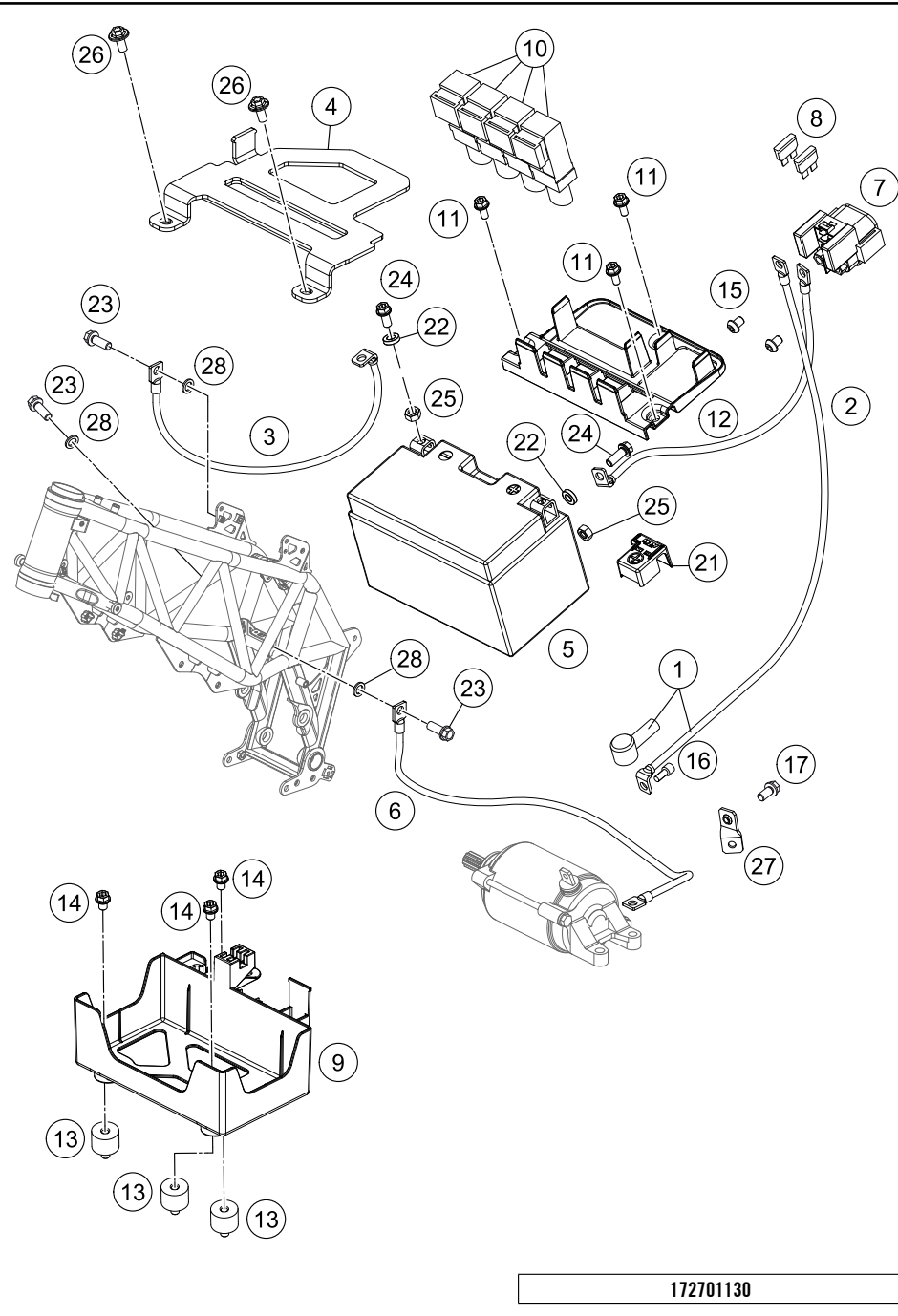
172701111

POS	PARTNUMBER	PARTNAME	PIECE
1	27011275000	Main wiring harness	1
2	000700000BH	SPARE CONNECTOR BH 6-PINS	1
3	75011088010	FUSE 10A 07	x
4	75011088015	FUSE 15A 07	x
5	75011087050	RUBBER CASING FOR FUSE BOX	1
7	0081050121	SCREW FOR PLASTIC K50X12 T20	2
8	0985060003	SELF LOCK. NUT DIN0985-M 6	1
9	76511060100	DC HORN CPL.	1
10	43205062100	RUBBER GROMMET 20X15-M6X10 (1)	1
11	0024060136	HH COLLAR SCREW M6X13 TX30	1
20	44011076140	CABLE TIE 140/2,5MM BLACK	x
20	44011076200	CABLE TIE 200/3,6MM BLACK	x
20	44011076305	CABLE TIE 300/4,8MM BLACK	x
21	60011093045	RUBBER CABLE TIE 45MM 03	x
25	76011030000	FLASHER UNIT LED 6,25W	1
27	58411096100	DIODE S3H-15 97	3
28	60011034100	VOLTAGE REGULATOR	1
29	0024060256	HH COLLAR SCREW M6X25 TX30	2
30	54603048100	RANGE CHANGE METAL NUT M6	2

18520

* NEW PART

X ON DEMAND



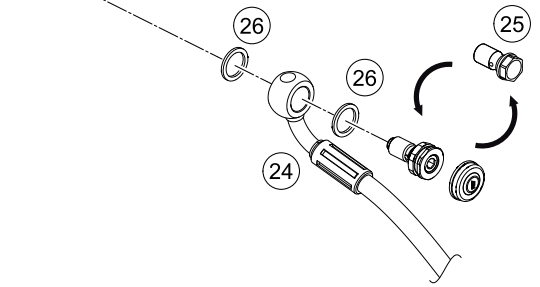
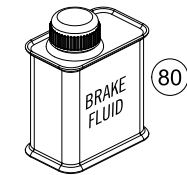
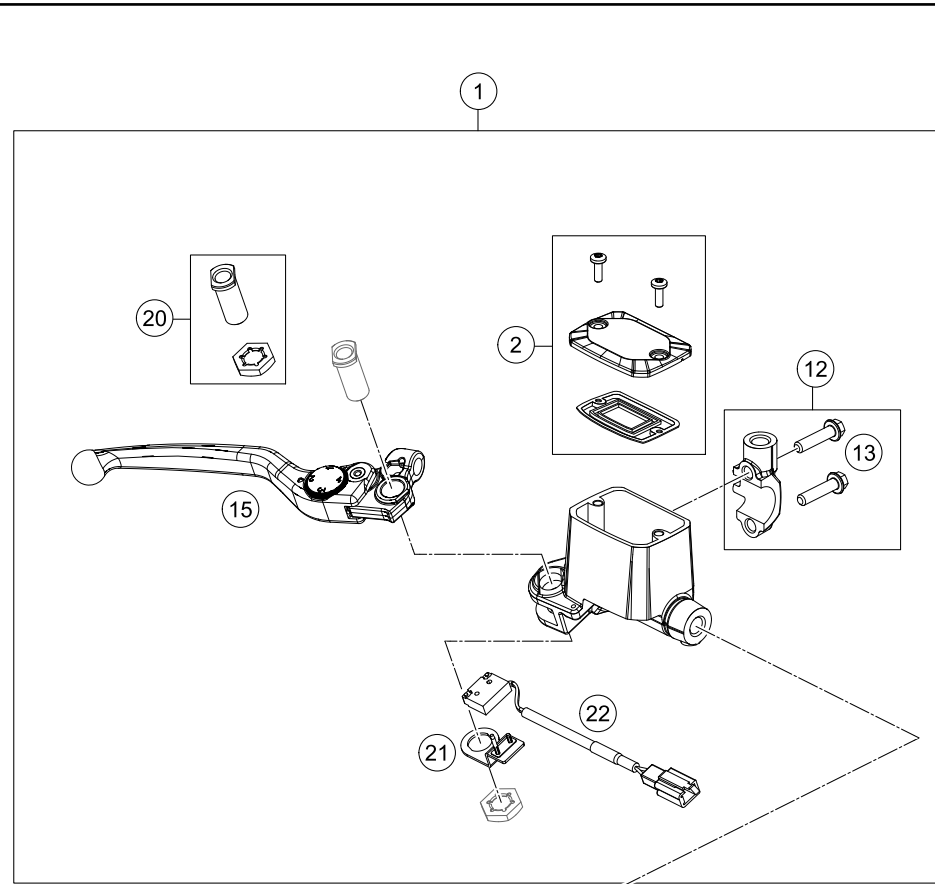
POS	PARTNUMBER	PARTNAME	PIECE
1	76511059000	STARTER-CABLE L=570MM 08	1
2	75011059150	BATTERY-CABLE L=170MM	1
3	76511097000	GROUND CABLE L=420MM 08	1
4	27011056044	Retaining bracket	1
5	58411053100	BATTERY 12V 8,6AH 03	1
6	76511097000	GROUND CABLE L=420MM 08	1
7	58211058000	STARTER RELAY 12V '99	1
8	58011109130	FUSE 30 A	2
8	58011109125	FUSE 25 A	1
9	76511054100	BATTERY BRACKET	1
10	61111057000	RELAY CM1A-R-12V-H80 07	4
11	0025050126	HH COLLAR SCREW M5X12 TX30	3
12	76511055000	HOLDER F.ELECTRIC 08	1
13	43205062100	RUBBER GROMMET 20X15-M6X10 (1)	3
14	0024060106	HH COLLAR SCREW M6X10 TX30	3
15	0902060083	AH OVAL SCREW ISO 7380 M 6X8	2
16	0912050083	AH SCREW DIN 912 M 5X8	1
17	0025050106	COLLAR SCREW M5X10 ISA30	1
21	62111059060	COVER POSITIVE POLE	1
22	12011016000	WASHER 6 X 12 X 3	2
23	0025060126	HH COLLAR SCREW M6X12 TX30	3
24	0025060166	HH COLLAR SCREW M6X16 TX30	2
25	0934060003	HEXAGON NUT DIN0934-M 6	2
26	0024060136	HH COLLAR SCREW M6X13 TX30	2
27	76511059061	RETAINING PLATE STARTER CABLE	1
28	58411098100	CONTACT WASHER M6 VSV-K6	3

172701130

18521

* NEW PART

X ON DEMAND

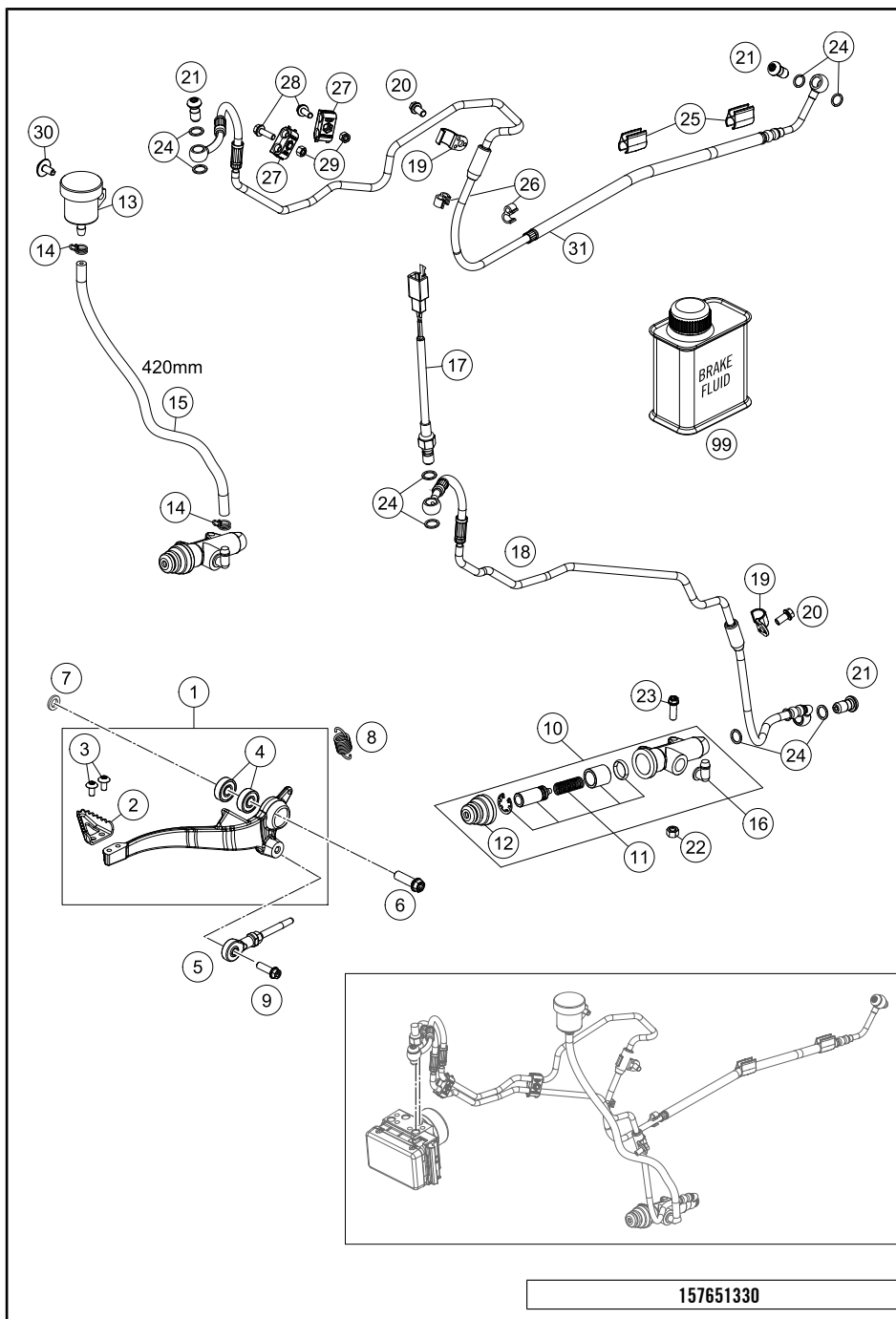


POS	PARTNUMBER	PARTNAME	PIECE
1	27013001033	HAND BRAKE CYLINDER ASSY	1
2	76013012000	COVER HAND BRAKE CYLINDER CPL.	1
12	76013005000	CLAMP CPL.	1
13	0025060256	HH COLLAR SCREW M6X25 TX30	2
15	27013002000	HAND BRAKE LEVER ADJUSTABLE 16	1
20	76013006000	LEVER SCREW CPL.	1
21	76011040000	BRACKET F. BRAKE LIGHT SWITCH	1
22	76011050000	BRAKE LIGHT SWITCH FRONT	1
24	76542005000	BRAKE HOSE HAND BRAKE CYLINDER	1
25	62113020100	HOLL. SCREW M10X1X19.5	1
26	0603100141	COPPER GASKET DIN7603-10X14X1	2
80	00062030000	BRAKE FLUID DOT5.1 0,25L	1

147651310

14843

* NEW PART X ON DEMAND



POS	PARTNUMBER	PARTNAME	PIECE
1	7651305024401	FOOT BRAKE LEVER CPL. 11	1
2	60013051000	STEP PLATE FOOT BRAKE LEVER 03	1
3	58605083010	SCREW TORX M5X10 05	2
4	0625006087	GROOVED BALL BEAR. 608 2RS C3	2
5	76513056144	PUSH ROD CPL.	1
6	0025080306S	HH COLLAR SCREW M8X30 TX40	1
7	0125080003	WASHER DIN0125-A 8,4	1
8	54603062100	RETURN SPRING FOR BRAKE LEVER	1
9	0025060206S	HH COLLAR SCREW M6X20 TX30	1
10	54513101044	MAIN BRAKE CYLINDER '89	1
11	76513061000	REPAIR KIT PISTON 13MM	1
12	54513151000	RUBBER SLEEVE	1
13	54513030044	BRAKE FLUID RESERVOIR '89	1
14	58007017000	YDNAC CLAMP 10101 (10,4MM)	2
15	69013069001	HOSE FOR RESERVOIR 6X1,5	1
16	54513155000	ANGLE PIECE	1
17	62111051000	BRAKE LIGHT SWITCH REAR	1
18	76542003000	BRAKE HOSE REAR MASTER CYL.	1
19	76542050000	CLAMP	2
20	0025060126	HH COLLAR SCREW M6X12 TX30	2
21	62113020100	HOLL. SCREW M10X1X19.5	3
22	0926060000	STOP NUT M6 DIN6926 A2-70	2
23	0025060256	HH COLLAR SCREW M6X25 TX30	2
24	0603100141	COPPER GASKET DIN7603-10X14X1	8
25	54813026100	CABLE SUPPORT 10/4MM 2014	2
26	60111094100	BAR SPACER 4/7 BLACK	2
27	60113146000	SUPPORT FOR BRAKE HOSE M5	2
28	0025050166	HH COLLAR SCREW M5X16 TX30	2
29	0985050003	SELF LOCKING NUT DIN0985-M 5	2
30	0024060136	HH COLLAR SCREW M6X13 TX30	1
31	76542001000	BRAKE HOSE REAR CALIPER	1
99	00062030000	BRAKE FLUID DOT5.1 0,25L	1

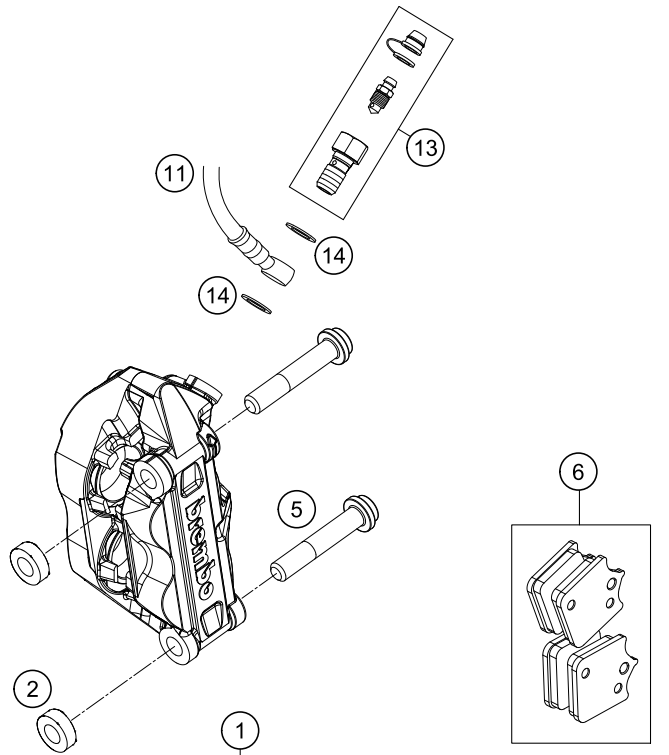
157651330

16292

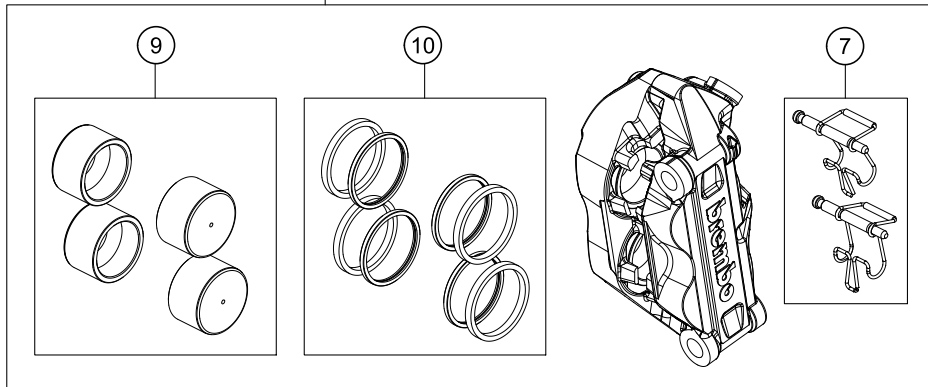
* NEW PART X ON DEMAND

BRAKE CALIPER FRONT

701 SUPERMOTO 2017



POS	PARTNUMBER	PARTNAME	PIECE
1	7651311520101	CALIPER L/S NAT. WITHOUT PADS	1
2	6111302200001	SPACER BUSH 10,1X20X7,5 07	2
5	0035100659	AH-COLLAR SCREW M10X1,25X65	2
6	27013130000	BRAKE PAD FRONT TT2802 GG	1
7	61013018000	PINS + SPRINGS F. BRAKECALIPER	1
9	61013019000	BRAKE PISTONS 4X	1
10	61013019100	REP.KIT SEALING RINGS 4X	1
11	27042106000	BRAKE HOSE BRAKE CALIPER FRONT	1
13	62513020000	BLEEDER SCREW CPL. 05	1
14	0603100141	COPPER GASKET DIN7603-10X14X1	2

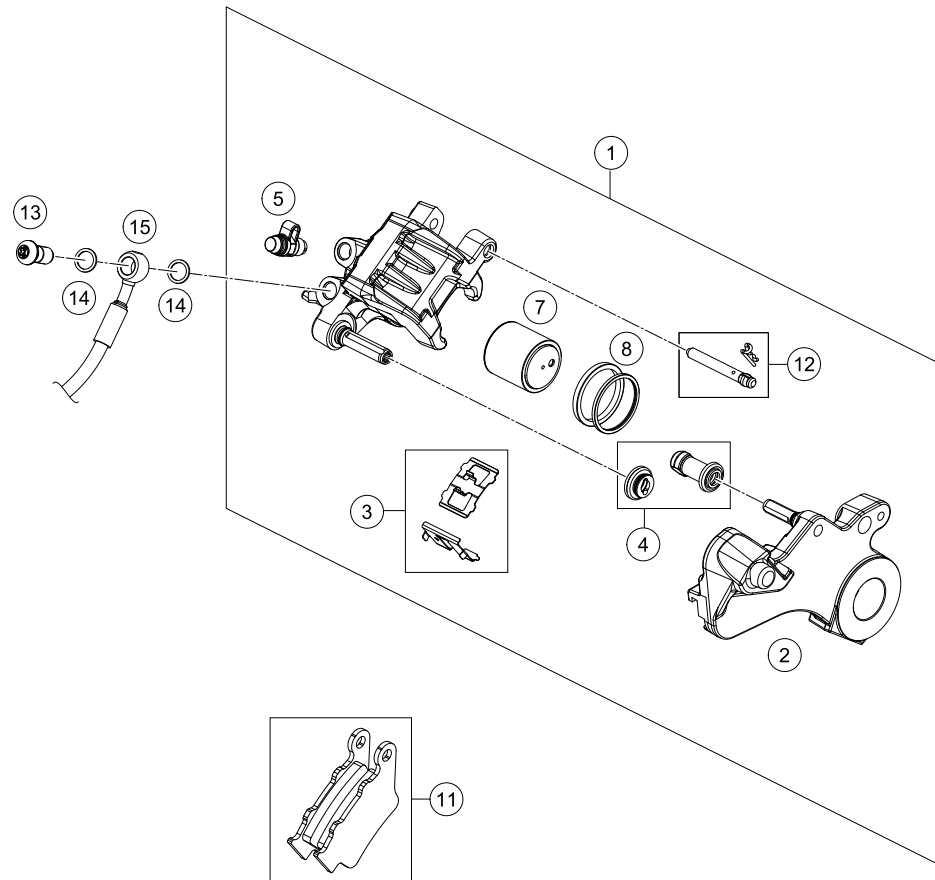


172701360

6532

* NEW PART

X ON DEMAND



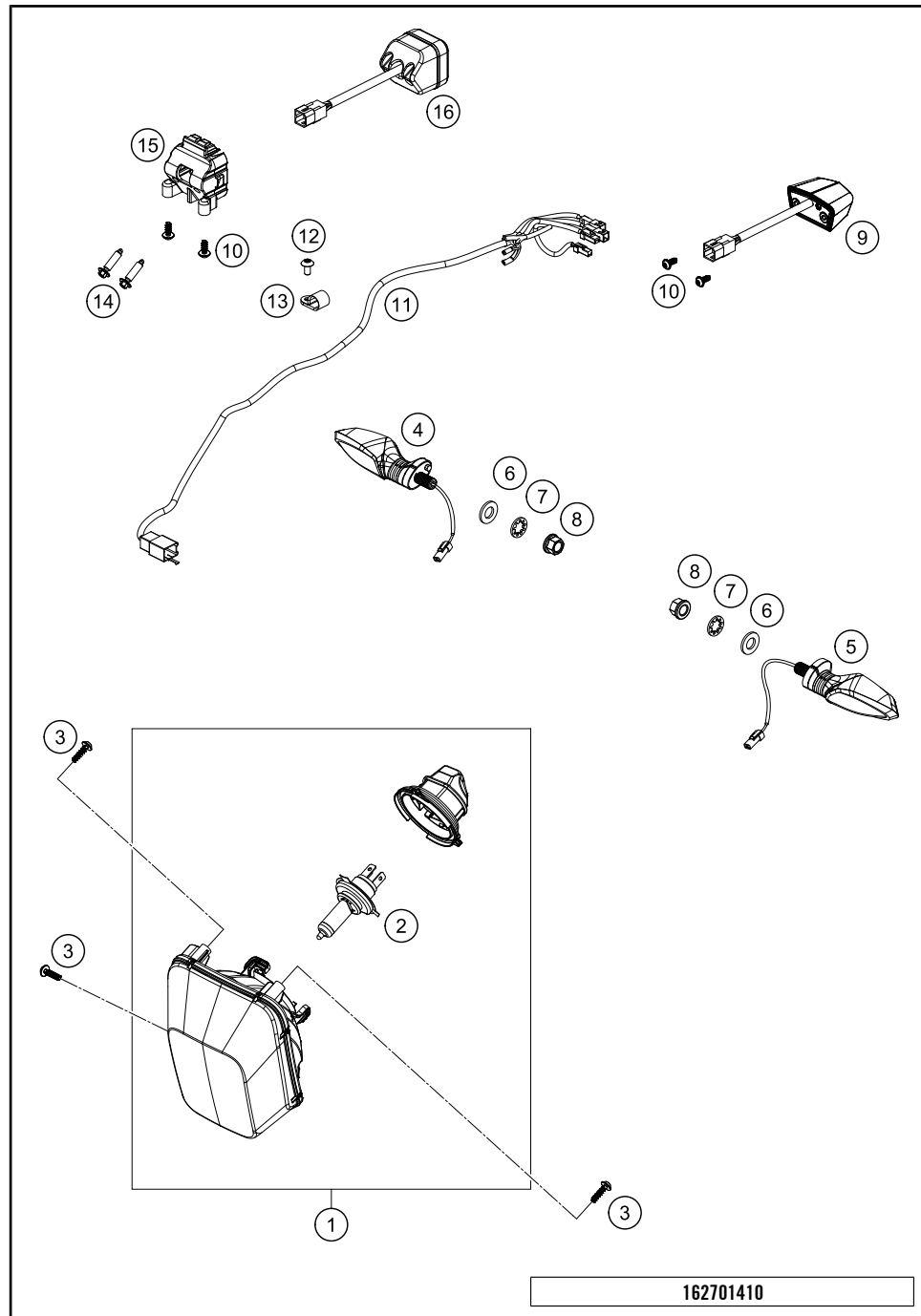
POS	PARTNUMBER	PARTNAME	PIECE
1	7601308000101	BRAKE CAL. RE. - WITHOUT PADS	1
2	7601317500001	BRAKE CALIPER BRACKET REAR	1
3	54613311200	RETAINING SPRING SET	1
4	54613218000	CUP SET SHORT	1
5	61013020200	BLEEDER SCREW WITH CAP	1
7	50313083000	BRAKE PISTON 32MM	1
8	50313081000	REPAIR KIT SEALING RINGS 32MM	1
11	75013090000	BRAKE PAD SET REAR SBS-S-40GF	1
12	61013082000	BOLT SET 05	1
13	62113020100	HOLL. SCREW M10X1X19.5	1
14	0603100141	COPPER GASKET DIN7603-10X14X1	2
15	76542001000	BRAKE HOSE REAR CALIPER	1

147651390

14849

* NEW PART

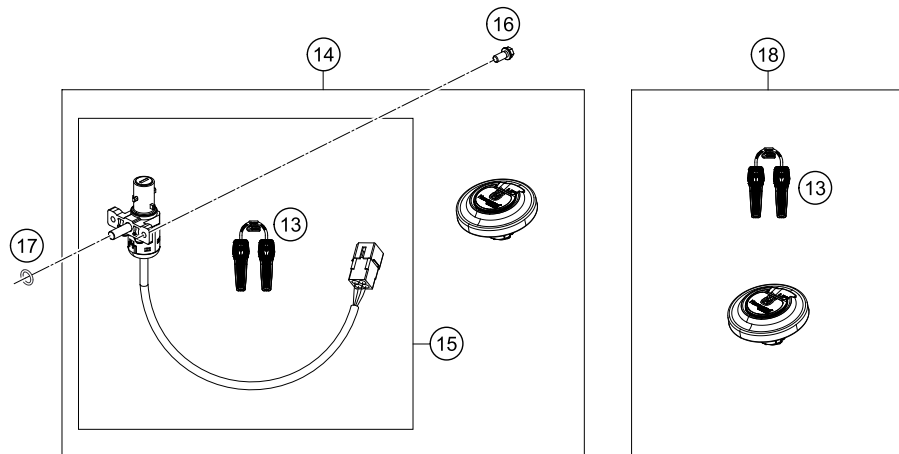
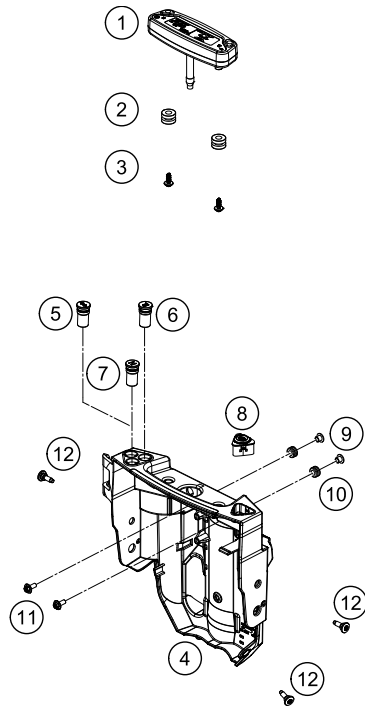
X ON DEMAND



POS	PARTNUMBER	PARTNAME	PIECE
1	27014001000	MAIN HEAD LIGHT 270 HQV (H4)	1
2	57111038000	BULB H4 12V 60/55W (P43T)	1
3	0081050181	SCREW FOR PLASTIC K50X18 T20	3
4	60314026000	FLASHER R/S	2
5	60314025000	FLASHER L/S	2
6	0433100003	WASHER 18x10,5x1,6	4
7	0797100003	LOCK WASHER DIN6797-J10,5 ZI	4
8	58414030000	HH COLLAR NUT M10X1,25 WS=13	4
9	60314047000	NUMBER PLATE LIGHT	1
10	0081050121	SCREW FOR PLASTIC K50X12 T20	4
11	27011076000	WIRING HARNESS REAR	1
12	78105081010	SCREW TORX M5X10	1
13	57013070000	PVC-CLAMP 7/16" HEYCO 3377	1
14	0017060255	EJOT PT SCREW K60X25-Z SW6	2
15	27014046000	REAR LIGHT BRACKET	1
16	27014040000	REAR LIGHT ECE	1

* NEW PART

X ON DEMAND



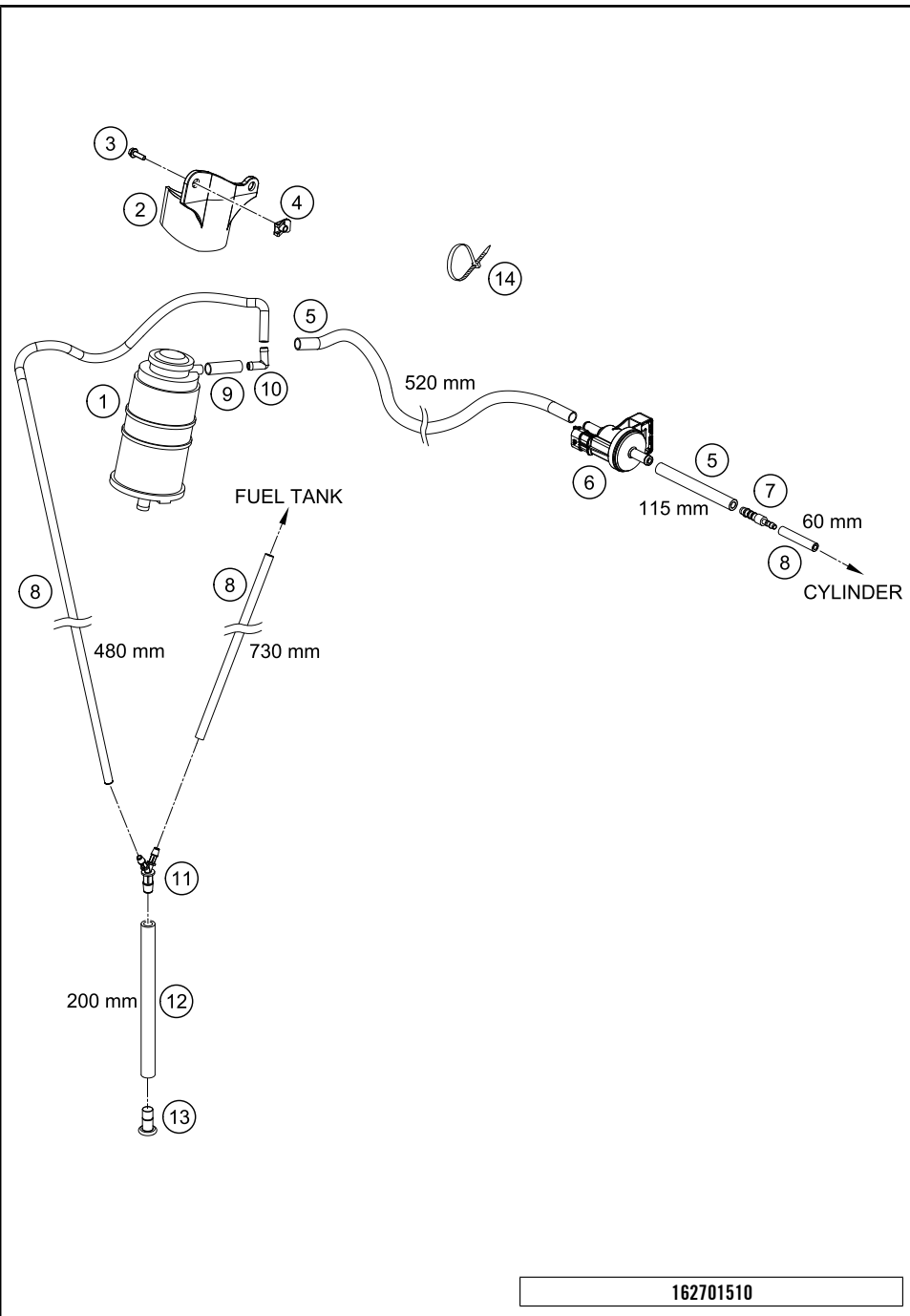
POS	PARTNUMBER	PARTNAME	PIECE
1	27014169000	DIGITAL SPEEDOMETER 17"	1
2	58214069051	RUBBER GROMMET 16X10,8X3 02	2
3	0081045121	SCREW FOR PLASTIC K45X12 T20	2
4	27014060000	SPEEDOMETER BRACKET	1
5	27014081000	FLASHER CONTROL LIGHT	1
6	27014082000	oil indicator light	1
7	27014083000	"neutral" led pilot assembly	1
8	60142070100	SWITCH ABS	1
9	75014010050	COLLAR BUSHING 6,1X8,1X14X8 07	2
10	31008060000	RUBBER SLEEVE D=8MM OPEN	2
11	0024060156	HH COLLAR SCREW M6X15 TX30	2
12	69008021160	SPECIAL SCREW M5X12	3
13	27011067000	IGNITION KEY CPL.	x
14	27011066044	LOCK SET	1
15	27011066000	IGNITION LOCK	1
16	59009062013	SPECIAL SCREW M6X13 WS=8 10.9	2
17	0770100020	O-RING 10,00X2,00 SILCONE	1
18	27007008000	TANK CAP	1

162701430

18524

* NEW PART

X ON DEMAND



POS	PARTNUMBER	PARTNAME	PIECE
1	59415001100	EVAPORATIVE CANISTER 08	1
2	27015001040	FASTENER CARBON CANISTER	1
3	69008021160	SPECIAL SCREW M5X12	2
4	69008021080	RANGE CHANGE METAL NUT M5	1
5	78015019000	HOSE EPA D=6/10 L=2000MM	1
6	76015015000	VALVE EVAP	1
7	75015023000	REDUCTION CONNECTION GRS6-4	1
8	78015021000	HOSE EPA D=4/8 L=2000MM	1
9	27015025000	HOSE AKF	1
10	27015024000	PIPE 90°	1
11	61315028000	Y-CONNECTING PIECE YS 6-10-6	1
12	78015119000	HOSE EPA D=10/16 L=2000MM	1
13	61315026000	PLUG D=10	1
14	44011076140	CABLE TIE 140/2,5MM BLACK	2

162701510

18523

* NEW PART X ON DEMAND

0
OHNE ABBILDUNG
WITHOUT ILLUSTRATION

1
TECHNISCHE DOKUMENTATION
TECHNICAL DOCUMENTATION
DOCUMENTACION TECNICA
DOCUMENTATION TECHNIQUE
NOTE TECNICHE

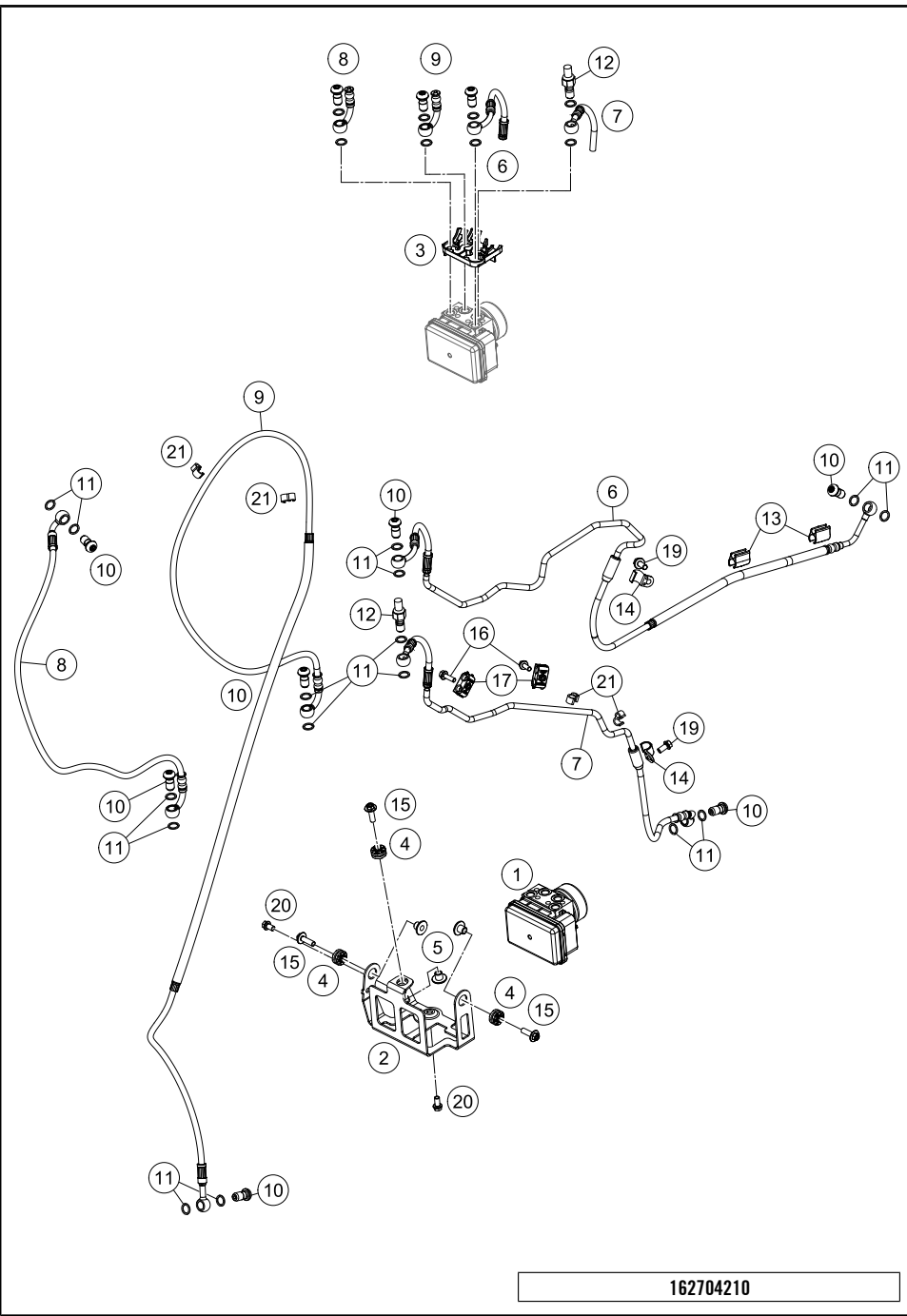


POS	PARTNUMBER	PARTNAME	PIECE
0	27012008000	SOZIUS GRIP LEFT	1
0	27012009000	SOZIUS GRIP RIGHT	1
0	0035080406	AH-COLLAR SCREW M8X40 ISA45	4
0	27003138050	HEEL PROTECTOR LS	1
0	27003139050	HEEL PROTECTOR RS	1
0	0025080126	HH COLLAR SCREW M8X12 TX40	4
0	60003040133	FOOTPEG LS+RS CPL.	1
0	0125060003	WASHER DIN0125-A 6,4	4
0	0985060003	SELF LOCK. NUT DIN0985-M 6	4
0	80312002000	DOCUMENTS BAG HUSQVARNA	1
0	HQV0036E	HQV OSP FOLDER 2017	1
0	HQV0110	HUSQVARNA BALLPOINT PEN	1
0	HQV0020EN/ES	HQV CLOTHING 2016	1
0	7650304803301	FOOT REST SUPPORT REAR L/S	1
0	7650304903301	FOOT REST SUPPORT REAR R/S	1
0	0025080166	HH COLLAR SCREW M8X16 TX40	4
0	58412040050	SUPPORT FOR MIRROR LC4 '98	2
0	2700208200001	LEFT HAND GUARD	1
0	2700208300001	RIGHT HAND GUARD	1
0	27002080050	INNER HAND GUARD CLAMP	2
0	0025060356	HH COLLAR SCREW M6X35 TX30	2
0	69008021160	SPECIAL SCREW M5X12	2
0	52000093	STICKER FRONT FORK-SET WP	1
0	0024060206	HH COLLAR SCREW M6X20 TX30	4
0	27009098000	DECALSET RIM FRONT+REAR 701SMC	1
0	00063004202	PRINT LABEL 60X51 MM	1
0	58412040100	REAR MIRROR L/S+R/S LC4 2001	2
0	2700217900028	HANDGUARD CPL. LE+RI WHITE	1
0	HQV0120	HUSQVARNA NOTE-PAD	1
1	3402116EN	Own. manual 701 Supermoto 2017	1
29	27029099000	VEHICLE TOOLS	1
31	50329080100	WRENCH SW=17/21/27/32 B&F	1

148132000

18525

* NEW PART X ON DEMAND

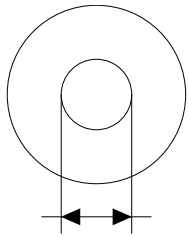


POS	PARTNUMBER	PARTNAME	PIECE
1	27042131044	ABS-MODULE FILLED 16	1
2	27042040000	BRACKET PLATE ABS-MODUL	1
3	76542033000	ANTI-TWIST PROTECTION ABS	1
4	62142041000	DAMP. COMPONENT ABS MODUL	3
5	61342041000	COLLAR BUSH 6,5X9X18X8,5	3
6	76542001000	BRAKE HOSE REAR CALIPER	1
7	76542003000	BRAKE HOSE REAR MASTER CYL.	1
8	76542005000	BRAKE HOSE HAND BRAKE CYLINDER	1
9	27042006000	HOSE BRAKE CALIPER FRONT	1
10	62113020100	HOLL. SCREW M10X1X19,5	7
11	0603100141	COPPER GASKET DIN7603-10X14X1	16
12	62111051000	BRAKE LIGHT SWITCH REAR	1
13	54813026100	CABLE SUPPORT 10/4MM 2014	2
14	76542050000	CLAMP	2
15	0024060206	HH COLLAR SCREW M6X20 TX30	3
16	0025050166	HH COLLAR SCREW M5X16 TX30	2
17	60113146000	SUPPORT FOR BRAKE HOSE M5	2
19	0025050126	HH COLLAR SCREW M5X12 TX30	2
20	0025060106	HH COLLAR SCREW M6X10 TX30	2
21	60111094000	CLIP 5/7 MM 06	4

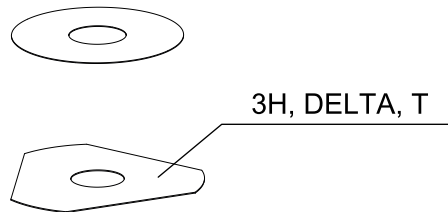
162704210

17046

* NEW PART X ON DEMAND



- ⑤ Ø 5 mm
- ⑥ Ø 6 mm
- ⑧ Ø 8 mm
- ⑩ Ø 10 mm
- ⑫ Ø 12 mm
- ⑭ Ø 14-14,5 mm
- ⑯ Ø 16 mm
- ⑰ Ø 20 mm
- ⑱ Ø 21 mm
- ⑳ Ø 22 mm
- ㉑ Ø 23 mm
- ㉒ Ø 24,5 mm
- ㉔ Ø 28,5 mm
- ㉖ Ø 32 mm
- ㉘ Ø 52 mm



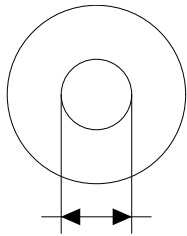
POS	PARTNUMBER	PARTNAME	PIECE
5	44906890	WASHER 5X15X2	X
6	40540400	SHIM 6X12X0,1	X
6	40540401	SHIM 6X14X0,1	X
6	40540402	SHIM 6X16X0,1	X
6	40540403	SHIM 6X18X0,1	X
6	40540404	SHIM 6X12X0,15	X
6	40540405	SHIM 6X14X0,15	X
6	40540406	SHIM 6X16X0,15	X
6	40540407	SHIM 6X18X0,15	X
6	40540408	SHIM 6X12X0,2	X
6	40540409	SHIM 6X14X0,2	X
6	40540410	SHIM 6X16X0,2	X
6	40540411	SHIM 6X18X0,2	X
6	48600095	SHIM 6X20X0,20	X
6	40540412	SHIM 6X12X0,25	X
6	40540413	SHIM 6X14X0,25	X
6	40540414	SHIM 6X16X0,25	X
6	40540415	SHIM 6X18X0,25	X
6	40540417	SHIM 6X8,5X0,10	X
6	40540418	SHIM 6X9X0,10	X
6	40540419	SHIM 6X9,5X0,10	X
6	40540423	SHIM 6X9,5X0,15	X
6	40540425	SHIM 6X8,5X0,20	X
6	40540426	SHIM 6X9X0,20	X
6	40540427	SHIM 6X9,5X0,20	X
6	40540447	SHIM 6X10X0,3	X
6	40540449	SHIM 6X9X0,3	X
6	40540450	SHIM 6X9,5X0,3	X
6	40540494	SHIM 6X18X0,4	X
6	40540774	SHIM 6X18X0,1 DELTA	X
6	40541383	SHIM 6X11X0,1	X
6	40541391	SHIM 6X11X0,3	X
6	40541402	SHIM 6X11X0,2	X
6	40541403	SHIM 6X10X0,20	X
6	40541404	SHIM 6X10X0,1	X
6	40541405	SHIM 6X10X0,15	X
6	40541406	SHIM 6X11X0,15	X
6	40541408	SHIM 6X8,0X0,30	X

080000190

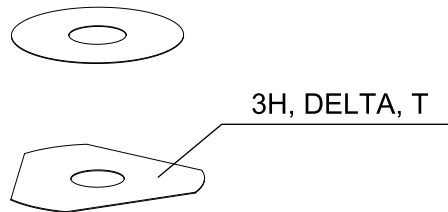
4668

* NEW PART

X ON DEMAND



- ⑤ Ø 5 mm
- ⑥ Ø 6 mm
- ⑧ Ø 8 mm
- ⑩ Ø 10 mm
- ⑫ Ø 12 mm
- ⑭ Ø 14-14,5 mm
- ⑯ Ø 16 mm
- ⑳ Ø 20 mm
- ㉑ Ø 21 mm
- ㉒ Ø 22 mm
- ㉓ Ø 23 mm
- ㉔ Ø 24,5 mm
- ㉘ Ø 28,5 mm
- ㉚ Ø 32 mm
- ㉜ Ø 52 mm



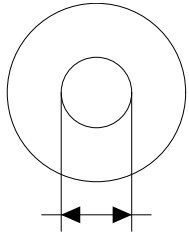
POS	PARTNUMBER	PARTNAME	PIECE
6	40541414	SHIM 6X8,0X0,10	X
6	40541416	SHIM 6X8X0,3	X
6	40541417	SHIM 6X11X0,25	X
6	48600102	SHIM 6X24X0,25	X
6	48600063	SHIM 6X24X0,1	X
6	48600064	SHIM 6X22X0,1	X
6	48600065	SHIM 6X20X0,1	X
6	48600069	SHIM 6X20X0,15	X
6	48600100	SHIM 6X24X0,15	X
6	48600116	SHIM 6X24X0,1 DELTA	X
6	48600139	SHIM 6X22X0,1 DELTA	X
6	48600217	BACKPLATE 6X10X0,25	X
6	48600325	SHIM 6X13X0,1	X
6	48600327	SHIM 6X15X0,1	X
6	48600329	SHIM 6X17X0,1	X
6	48600331	SHIM 6X19X0,1	X
6	48600096	SHIM 6X20X0,25	X
6	48600097	SHIM 6X22X0,15	X
6	48600099	SHIM 6X22X0,25	X
6	40540448	BACKPLATE 6X8,5X0,30	X
6	48600479	SHIM 6X20X0,1 T/3H	X
6	48600332	SHIM 6X21X0,1	X
6	48600333	SHIM 6X23X0,1	X
6	40541393	SHIM 6X12X0,3	X
6	48600330	SHIM 6X17X0,15	X
6	48600988	SHIM 6X28X0,10	X
6	48600989	SHIM 6X26X0,10	X
6	48601091	SHIM 6X28X0,15	X
6	48601093	SHIM 6X26X0,15	X
6	48600328	SHIM 6X15X0,15	X
6	48600326	SHIM 6X13X0,15	X
6	48601548	SHIM 6X17X1,5	X
6	48601693	SHIM 6X18X3	X
6	48600098	SHIM 6X22X0,20	X
6	48601300	WASHER 6X25X1,5	X
6	48601692	SHIM 6X30X0,15	X
6	48601550	SHIM 6X30X0,10	X
6	40541392	* SHIM 6X8X0,2	X

080000190

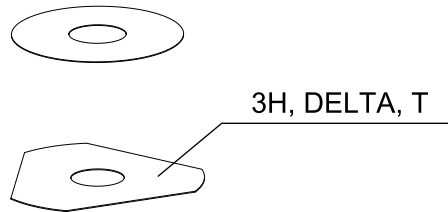
4668

* NEW PART

X ON DEMAND



- ⑤ Ø 5 mm
- ⑥ Ø 6 mm
- ⑧ Ø 8 mm
- ⑩ Ø 10 mm
- ⑫ Ø 12 mm
- ⑭ Ø 14-14,5 mm
- ⑯ Ø 16 mm
- ⑳ Ø 20 mm
- ㉑ Ø 21 mm
- ㉒ Ø 22 mm
- ㉓ Ø 23 mm
- ㉔ Ø 24,5 mm
- ㉘ Ø 28,5 mm
- ㉚ Ø 32 mm
- ㉜ Ø 52 mm



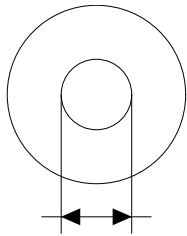
POS	PARTNUMBER	PARTNAME	PIECE
8	40540477	SHIM 8X18X0,4	X
8	43570120	SHIM 8X18X0,10	X
8	44916098	WASHER 8,4X16X0,8	X
8	44916130	WASHER 8,2X15X1	X
8	44916180	WASHER 8,2X11X1	X
8	48600214	SHIM 8X16X0,1	X
8	48600385	SHIM 8x14x0,25	X
8	48600346	SHIM 8X11X0,2	X
8	48600215	CHECK VALVE 8X20X0,1	X
8	48600485	SHIM 8X10X0,10	X
8	48601402	SHIM 8X13X0,10	X
8	48600350	CHECK VALVE 8X16X0,15	X
8	48600061	CHECK VALVE 8X24X0,4	X
8	48600062	CHECK VALVE 8X24X0,1	X
8	48600216	CHECK VALVE 8X22X0,1	X
8	48600480	SHIM 8X10X0,20	X
8	48600555	SHIM 8X16X0,20	X
8	48600213	SHIM 8X14X0,10	X
8	48600357	CHECK VALVE 8X11X0,1	X
8	48600351	CHECK VALVE 8X12X0,1	X
8	48600607	Steering damper washer	X
8	48601095	SHIM 8X17X0,10	X
8	48600352	CHECK VALVE 8X11X0,4	X
8	48601860	Scheibe 8x11x0,15	X
10	36120284	SHIM 10X16X0,10	X
10	36120298	SHIM 10X16X0,2	X
10	36120312	SHIM 10X16X0,30	X
10	36120314	SHIM 10X18X0,30	X
10	36120325	SHIM 10X19X0,15	X
10	36120327	SHIM 10X23X0,15	X
10	36120328	SHIM 10X25X0,15	X
10	36120329	SHIM 10X27X0,15	X
10	36120330	SHIM 10X29X0,15	X
10	36120331	SHIM 10X31X0,15	X
10	36120332	SHIM 10X33X0,15	X
10	36120334	SHIM 10X21X0,20	X
10	36120335	SHIM 10X23X0,20	X
10	36120336	SHIM 10X25X0,20	X

080000190

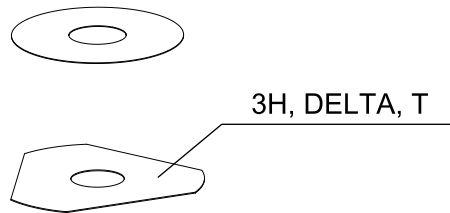
4668

* NEW PART

X ON DEMAND



- ⑤ Ø 5 mm
- ⑥ Ø 6 mm
- ⑧ Ø 8 mm
- ⑩ Ø 10 mm
- ⑫ Ø 12 mm
- ⑭ Ø 14-14,5 mm
- ⑯ Ø 16 mm
- ⑳ Ø 20 mm
- ㉑ Ø 21 mm
- ㉒ Ø 22 mm
- ㉓ Ø 23 mm
- ㉔ Ø 24,5 mm
- ㉘ Ø 28,5 mm
- ㉚ Ø 32 mm
- ㉜ Ø 52 mm



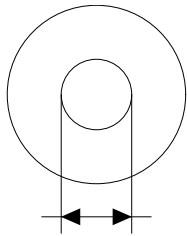
POS	PARTNUMBER	PARTNAME	PIECE
10	36120337	SHIM 10X27X0,20	X
10	36120338	SHIM 10X29X0,20	X
10	36120339	SHIM 10X31X0,20	X
10	36120340	SHIM 10X33X0,20	X
10	36120342	SHIM 10X21X0,25	X
10	36120343	SHIM 10X23X0,25	X
10	36120344	SHIM 10X25X0,25	X
10	36120345	SHIM 10X27X0,25	X
10	36120349	SHIM 10X19X0,30	X
10	36120350	SHIM 10X21X0,30	X
10	36120313	SHIM 10X17X0,30	X
10	36120354	SHIM 10X29X0,30	X
10	40140275	WASHER 10X35X0,15	X
10	48601708	SHIM 10X30X0,40	X
10	36120346	SHIM 10X29X0,25	X
10	36120355	SHIM 10X31X0,30	X
10	36120348	SHIM 10X33X0,25	X
10	36120604	SHIM D10XD22X2,5	X
12	46810490	SHIM 12X24X0,20	X
12	46810491	SHIM 12X26X0,20	X
12	46810492	SHIM 12X28X0,20	X
12	46810493	SHIM 12X30X0,20	X
12	46810494	SHIM 12X32X0,20	X
12	46810495	SHIM 12X34X0,20	X
12	46810496	SHIM 12X36X0,20	X
12	46810497	SHIM 12X38X0,20	X
12	46810498	SHIM 12X40X0,20	X
12	46810499	SHIM 12X24X0,25	X
12	46810500	SHIM 12X26X0,25	X
12	46810501	SHIM 12X28X0,25	X
12	46810502	SHIM 12X30X0,25	X
12	46810504	SHIM 12X34X0,25	X
12	46810505	SHIM 12X36X0,25	X
12	46810507	SHIM 12X40X0,25	X
12	46810508	SHIM 12X24X0,30	X
12	46810509	SHIM 12X26X0,30	X
12	46810510	SHIM 12X28X0,30	X
12	46810512	SHIM 12X32X0,30	X

080000190

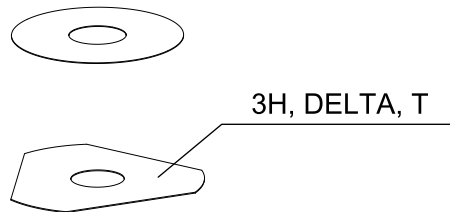
4668

* NEW PART

X ON DEMAND



- ⑤ Ø 5 mm
- ⑥ Ø 6 mm
- ⑧ Ø 8 mm
- ⑩ Ø 10 mm
- ⑫ Ø 12 mm
- ⑭ Ø 14-14,5 mm
- ⑯ Ø 16 mm
- ⑳ Ø 20 mm
- ㉑ Ø 21 mm
- ㉒ Ø 22 mm
- ㉓ Ø 23 mm
- ㉔ Ø 24,5 mm
- ㉘ Ø 28,5 mm
- ㉚ Ø 32 mm
- ㉜ Ø 52 mm



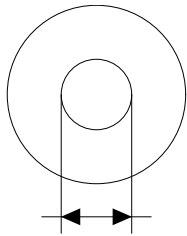
POS	PARTNUMBER	PARTNAME	PIECE
12	46810513	SHIM 12X34X0,30	X
12	46810518	SHIM 12X26X0,15	X
12	46810519	SHIM 12X28X0,15	X
12	46810520	SHIM 12X30X0,15	X
12	46810521	SHIM 12X32X0,15	X
12	46810522	SHIM 12X34X0,15	X
12	46810523	SHIM 12X36X0,15	X
12	46810524	SHIM 12X38X0,15	X
12	46810525	SHIM 12X40X0,15	X
12	46810604	SHIM 12X20X0,10	X
12	46810606	SHIM 12X22X0,10	X
12	46810607	SHIM 12X23X0,10	X
12	46810608	SHIM 12X24X0,10	X
12	46810610	SHIM 12X27X0,15	X
12	46810611	SHIM 12X18X0,15	X
12	46810612	SHIM 12X19X0,15	X
12	46810615	SHIM 12X22X0,15	X
12	46810636	BACKPLATE 12X16X0,30	X
12	46810637	BACKPLATE 12X17X0,30	X
12	46810638	BACKPLATE 12X18X0,30	X
12	46810639	SHIM 12X19X0,30	X
12	46810641	BACKPLATE 12X21X0,30	X
12	46811582	BACKPLATE 12X30X0,10	X
12	46810631	SHIM 12X20X0,25	X
12	46810633	SHIM 12X22X0,25	X
12	46811580	SHIM 12X32X0,10	X
12	46810503	SHIM 12X32X0,25	X
12	46810517	SHIM 12X24X0,15	X
12	46810856	SHIM 12X20X0,3 CC	X
12	46811258	RING 12X24X2,5	X
12	46812018	SHIM 12X42X0,25	X
12	46812015	SHIM 12X44X0,20	X
12	46810613	SHIM 12X20X0,15	X
12	46810623	SHIM 12X21X0,20	X
12	46810624	SHIM 12X22X0,20	X
12	46810642	SHIM 12X22X0,30	X
12	46810643	SHIM 12X23X0,30	X
12	46811629	SHIM 12X28X0,10	X

080000190

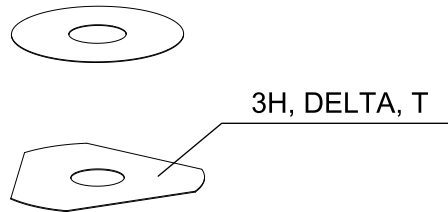
4668

* NEW PART

X ON DEMAND



- ⑤ Ø 5 mm
- ⑥ Ø 6 mm
- ⑧ Ø 8 mm
- ⑩ Ø 10 mm
- ⑫ Ø 12 mm
- ⑭ Ø 14-14,5 mm
- ⑯ Ø 16 mm
- ⑳ Ø 20 mm
- ㉑ Ø 21 mm
- ㉒ Ø 22 mm
- ㉓ Ø 23 mm
- ㉔ Ø 24,5 mm
- ㉘ Ø 28,5 mm
- ㉚ Ø 32 mm
- ㉜ Ø 52 mm



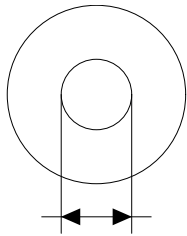
POS	PARTNUMBER	PARTNAME	PIECE
12	46810511	SHIM 12X30X0,30	X
12	46810514	SHIM 12X36X0,30	X
12	46810506	SHIM 12X38X0,25	X
12	46810515	SHIM 12X38X0,30	X
12	46812017	SHIM 12X42X0,20	X
12	46812016	SHIM 12X44X0,25	X
12	46810622	* SHIM 12X20X0,20	X
12	46811635	CURVED WASHER 12X26X0,10	X
14	46811046	SHIM 14,5X35,4X1,25	X
16	50180023	SHIM 16X23X0,20	X
16	50180030	SHIM	X
16	50180006	BACKPLATE 16X20X0,10	X
16	50180007	SHIM 16X21X0,10	X
16	50180028	SHIM 16X21X0,25	X
16	50180210	WASHER 16X21X1	X
16	50180008	SHIM 16X22X0,10	X
16	50180022	SHIM 16X22X0,20	X
16	50180037	SHIM 16X23X0,30	X
16	50180038	SHIM 16X24X0,30	X
16	50180032	SHIM 15X25X0,25	X
16	50180039	SHIM 16X25X0,30	X
16	50180012	SHIM 16X26X0,10	X
16	50180019	SHIM 16X26X0,15	X
16	50180026	SHIM 16X26X0,20	X
16	50180040	SHIM 16X26X0,30	X
16	50180041	SHIM 16X28X0,10	X
16	50180045	SHIM 16X28X0,15	X
16	50180054	SHIM 16X28X0,20	X
16	50180063	SHIM 16X28X0,25	X
16	50180072	SHIM 16X28X0,30	X
16	50180046	SHIM 16X30X0,15	X
16	50180055	SHIM 16X30X0,20	X
16	50180064	SHIM 16X30X0,25	X
16	50180073	SHIM 16X30X0,30	X
16	50180047	SHIM 16X32X0,15	X
16	50180056	SHIM 16X32X0,20	X
16	50180065	SHIM 16X32X0,25	X
16	50180074	SHIM 16X32X0,30	X

080000190

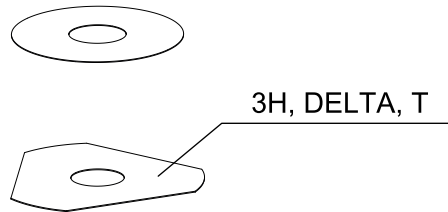
4668

* NEW PART

X ON DEMAND



- ⑤ Ø 5 mm
- ⑥ Ø 6 mm
- ⑧ Ø 8 mm
- ⑩ Ø 10 mm
- ⑫ Ø 12 mm
- ⑭ Ø 14-14,5 mm
- ⑯ Ø 16 mm
- ⑳ Ø 20 mm
- ㉑ Ø 21 mm
- ㉒ Ø 22 mm
- ㉓ Ø 23 mm
- ㉔ Ø 24,5 mm
- ㉘ Ø 28,5 mm
- ㉚ Ø 32 mm
- ㉜ Ø 52 mm



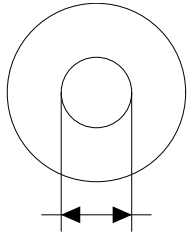
POS	PARTNUMBER	PARTNAME	PIECE
16	50180044	SHIM 16X34X0,10	X
16	50180048	SHIM 16X34X0,15	X
16	50180057	SHIM 16X34X0,20	X
16	50180066	SHIM 16X34X0,25	X
16	50180075	SHIM 16X34X0,30	X
16	50180049	SHIM 16X36X0,15	X
16	50180058	SHIM 16X36X0,20	X
16	50180067	SHIM 16X36X0,25	X
16	50180076	SHIM 16X36X0,30	X
16	50180050	SHIM 16X38X0,15	X
16	50180059	SHIM 16X38X0,20	X
16	50180068	SHIM 16X38X0,25	X
16	50180077	SHIM 16X38X0,30	X
16	50180051	SHIM 16X40X0,15	X
16	50180060	SHIM 16X40X0,20	X
16	50180069	SHIM 16X40X0,25	X
16	50180078	SHIM 16X40X0,30	X
16	50180052	SHIM 16X42X0,15	X
16	50180061	SHIM 16X42X0,20	X
16	50180070	SHIM 16X42X0,25	X
16	50180079	SHIM 16X42X0,30	X
16	50180053	SHIM 16X44X0,15	X
16	50180062	SHIM 16X44X0,20	X
16	50180071	SHIM 16X44X0,25	X
16	50180080	SHIM 16X44X0,30	X
16	50180177	WASHER 16X8,2X0,6	X
16	50180033	SHIM 16X26X0,25	X
16	50180034	BACKPLATE 16X20X0,30	X
16	50180035	BACKPLATE 16X21X0,30	X
16	50180036	BACKPLATE 16X22X0,30	X
16	50180043	SHIM	X
16	50180024	SHIM 16X24X0,20	X
16	50180027	SHIM 16X20X0,25	X
16	50180031	SHIM	X
16	50180029	SHIM	X
16	50180010	SHIM 16X24X0,10	X
20	48600212	PRESSURE-RING 20X16,25X0,20	X
20	50180666	SHIM 20X24X0,30	X

080000190

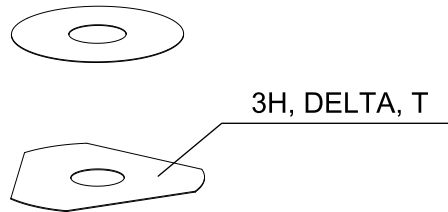
4668

* NEW PART

X ON DEMAND



- ⑤ Ø 5 mm
- ⑥ Ø 6 mm
- ⑧ Ø 8 mm
- ⑩ Ø 10 mm
- ⑫ Ø 12 mm
- ⑭ Ø 14-14,5 mm
- ⑯ Ø 16 mm
- ⑳ Ø 20 mm
- ㉑ Ø 21 mm
- ㉒ Ø 22 mm
- ㉓ Ø 23 mm
- ㉔ Ø 24,5 mm
- ㉘ Ø 28,5 mm
- ㉚ Ø 32 mm
- ㉜ Ø 52 mm



POS	PARTNUMBER	PARTNAME	PIECE
20	50180654	SHIM 20X36X0,20	X
20	50180655	SHIM 20X38X0,20	X
20	50180656	SHIM 20X40X0,20	X
20	50180665	SHIM 20X40X0,25	X
20	50180662	SHIM 20X34X0,25	X
20	50180657	SHIM 20X24X0,25	X
20	50180653	SHIM 20X34X0,20	X
20	50180634	RING 20X22,9X1	X
20	50180650	SHIM 20,2X28X0,20	X
20	50180663	SHIM 20X36X0,25	X
20	50180664	SHIM 20X38X0,25	X
20	50180659	SHIM 20,2X28X0,25	X
21	50180209	WASHER 21X36X0,25	X
22	50180330	PRESS. RING 22X18X0,30	X
23	50180635	SHUTTLE VALVE 23X38X0,25	X
23	50180578	SHIM D23XD16X2	X
24	40541061	WASHER 24,5X34X2	X
28	36120469	SHIM 28,5X14X2	X
28	36120471	SHIM 28,5X14X5	X
32	48600460	WASHER 32X42X2,5	X
32	50600065	SHIM 32X45X2	X
32	46811637	PRESSURE RING 36X32,25	X
52	50600002	SHIM 52X59X2,2	X

080000190

4668

* NEW PART

X ON DEMAND



F2603Q3EN



Husqvarna Motorcycles GmbH
Stallhofnerstraße 3 | 5230 Mattighofen | Austria
www.husqvarna-motorcycles.com

